

A Type



C Type



## Technical Specification

Frequency Range(GHz)	15.0 - 22.0
Gain(dB)	20 Typ.
3dB Beamwidth(deg)	18 Typ.
Waveguide	WR51
Material	Cu
Output	A Type: FBP180 / C Type: SMA-F
Size(mm) W x H x L	A Type: 77x60x110 / C Type: 77x60x137
Net Weight(Kg)	A Type: 0.20 Around / C Type: 0.30 Around

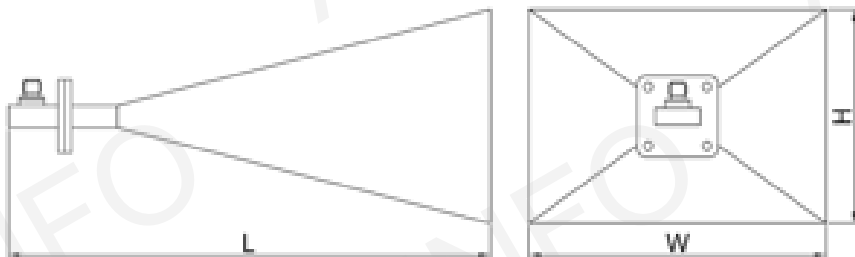
## Outline Drawing (Size: mm)

A Type



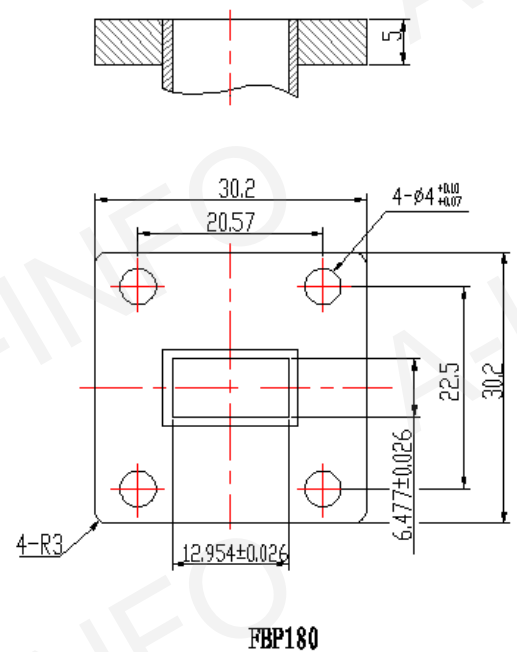
W x H x L: 77x60x110

C Type



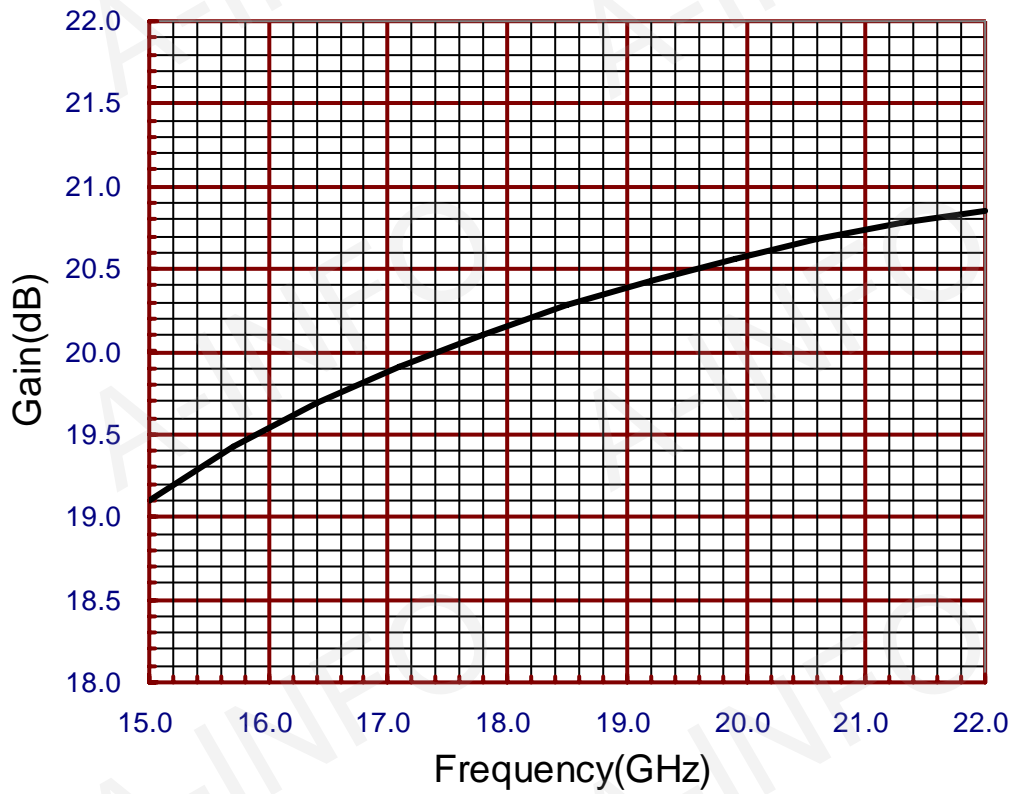
W x H x L: 77x60x137

Flange Drawing



## Test Results

### Gain



F(GHz)	G(dB)	F(GHz)	G(dB)
15.0	19.10	19.2	20.43
15.7	19.43	19.9	20.56
16.4	19.69	20.6	20.68
17.1	19.91	21.3	20.78
17.8	20.10	22.0	20.85
18.5	20.28		