

A Type



C Type

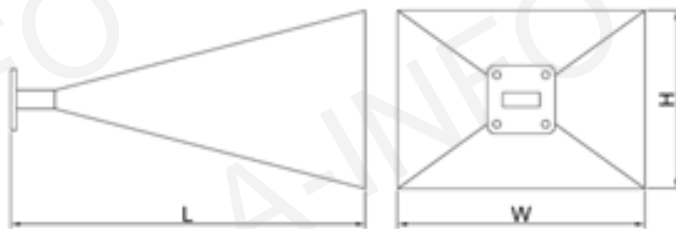


Technical Specification

Frequency Range(GHz)	1.70 - 2.60
Gain(dB)	15 Typ.
3dB Beamwidth(deg)	30 Typ.
Waveguide	WR430
Material	Al
Output	A Type: FDP22 / C Type: N-F or SMA-F
Size(mm) W x H x L	A Type: 374x278x300 / C Type: 374x278x400
Net Weight(Kg)	A Type: 1.7 Around / C Type: 2.6 Around

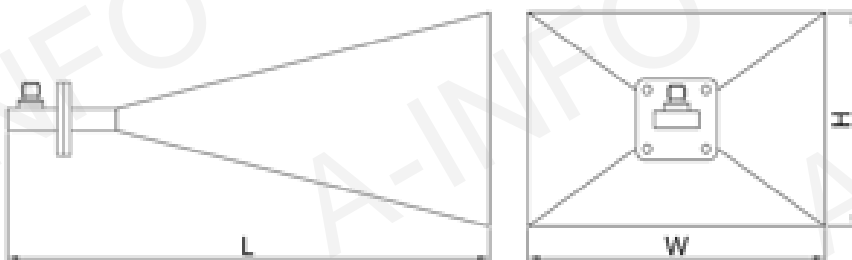
Outline Drawing (Size: mm)

A Type



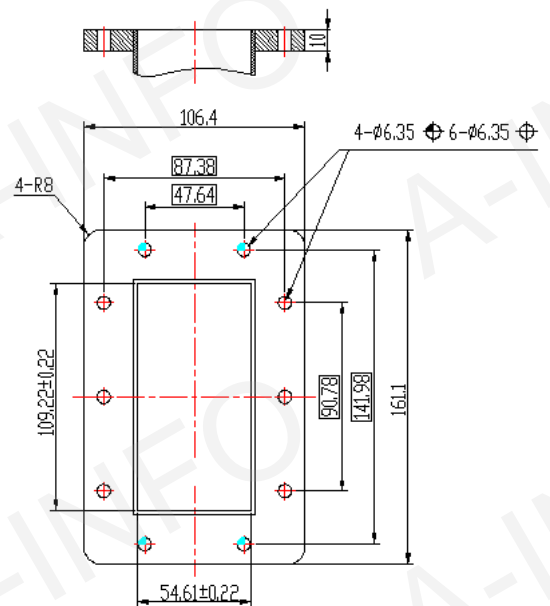
W x H x L: 374x278x300

C Type



W x H x L: 374x278x400

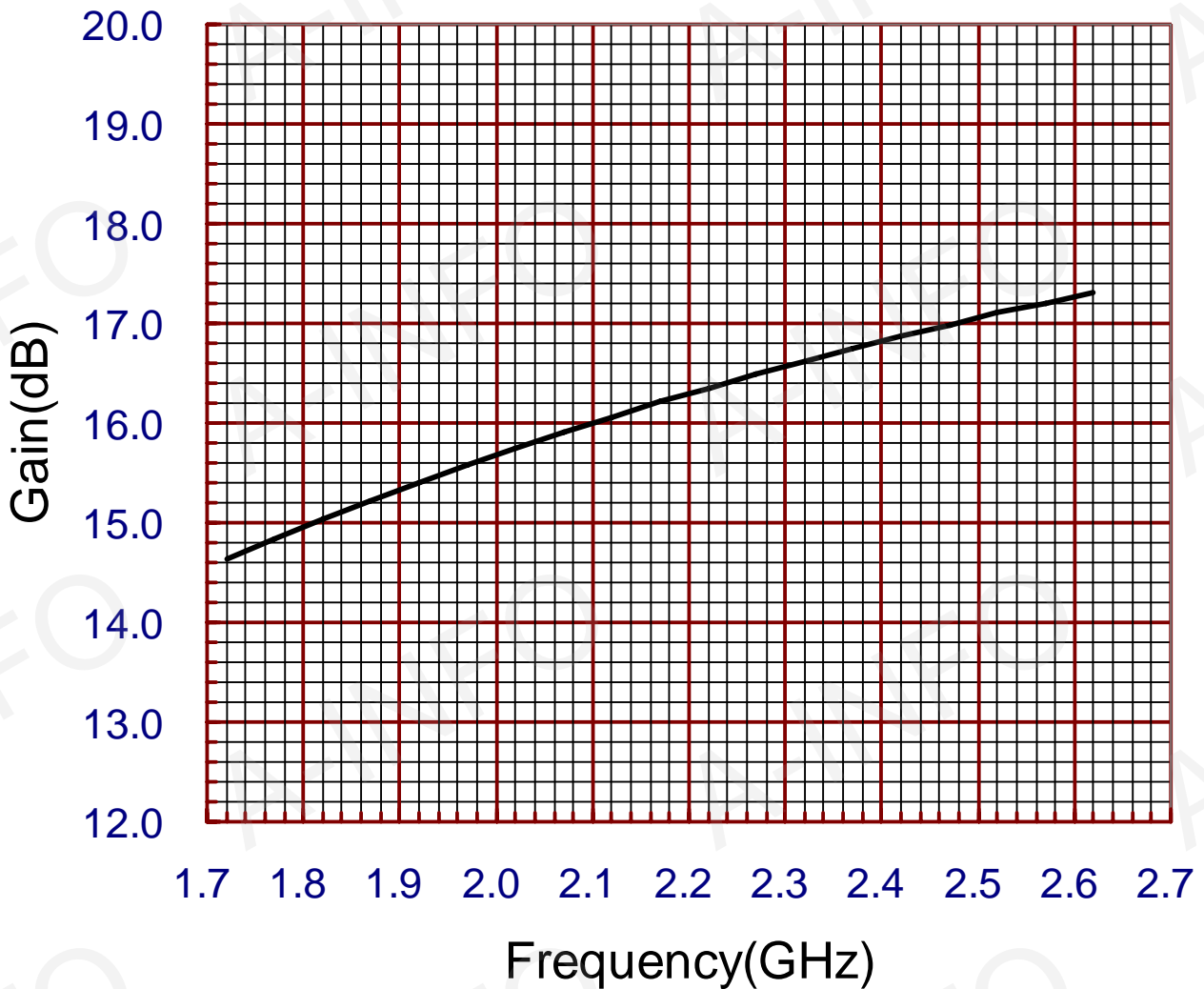
Flange Drawing



FDP22

Test Results

Gain



F(GHz)	1.72	1.77	1.82	1.87	1.92	1.97	2.02	2.07	2.12	2.17
G(dB)	14.630	14.835	15.032	15.222	15.403	15.578	15.746	15.907	16.062	16.211
F(GHz)	2.22	2.27	2.32	2.37	2.42	2.47	2.52	2.57	2.62	
G(dB)	16.354	16.492	16.624	16.751	16.872	16.989	17.101	17.208	17.311	