

A Type



C Type

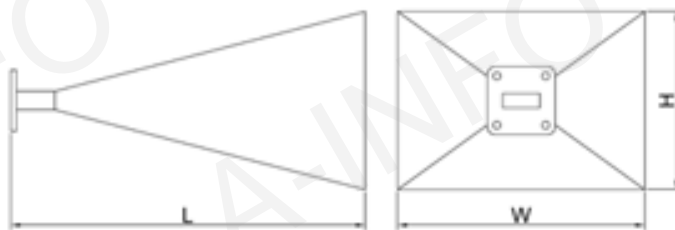


Technical Specification

Frequency Range(GHz)	2.20 - 3.30
Gain(dB)	15 Typ.
3dB Beamwidth(deg)	30 Typ.
Waveguide	WR340
Material	Al
Output	A Type: FDP26 / C Type: N-F or SMA-F
Size(mm) W x H x L	A Type: 309x238x294 / C Type: 309x238x386
Net Weight(Kg)	A Type: 1.6 Around / C Type: 2.4 Around

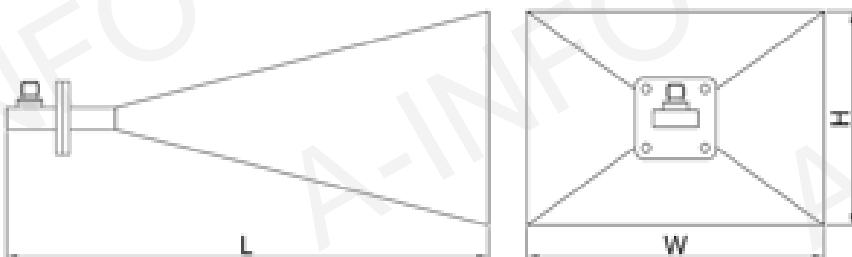
Outline Drawing (Size: mm)

A Type



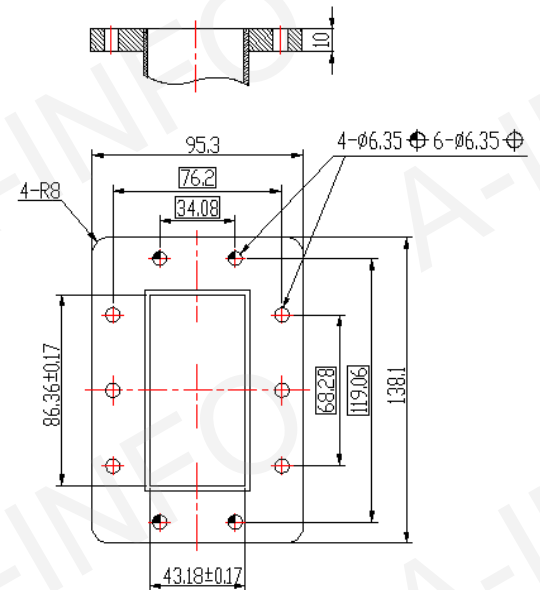
W x H x L: 309x238x294

C Type



W x H x L: 309x238x386

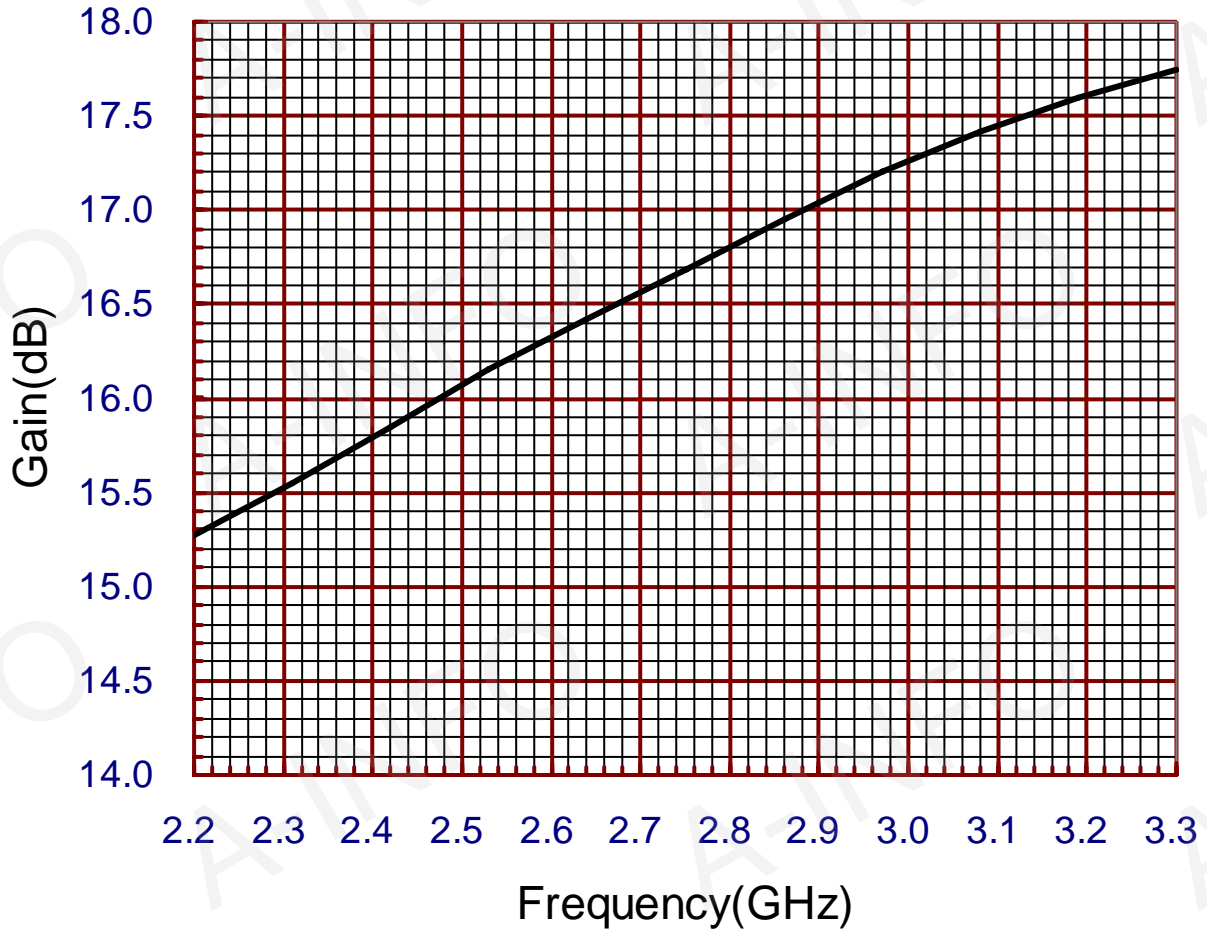
Flange Drawing



FDP26

Test Results

Gain



F(GHz)	2.20	2.31	2.42	2.53	2.64	2.75	2.86	2.97	3.08	3.19	3.30
G(dB)	15.27	15.55	15.85	16.15	16.42	16.68	16.95	17.20	17.42	17.60	17.75