

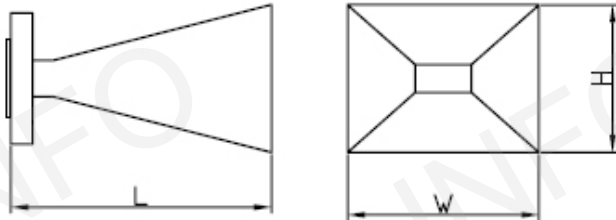
Technical Specification



Frequency Range(GHz)	60.0 - 90.0
Gain(dB)	25 Typ.
3dB Beamwidth(deg)	10 Typ.
Waveguide	WR12
Material	Cu
Output	A Type: FUGP740
Size(mm) W x H x L	A Type: 32x26x82
Net Weight(Kg)	A Type: 0.05 Around

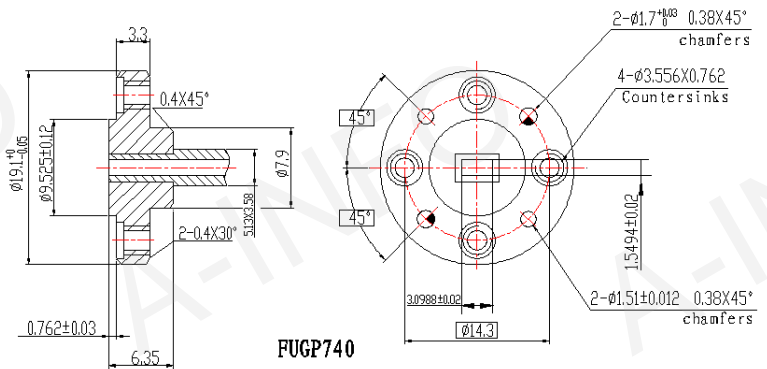
Outline Drawing (Size: mm)

A Type



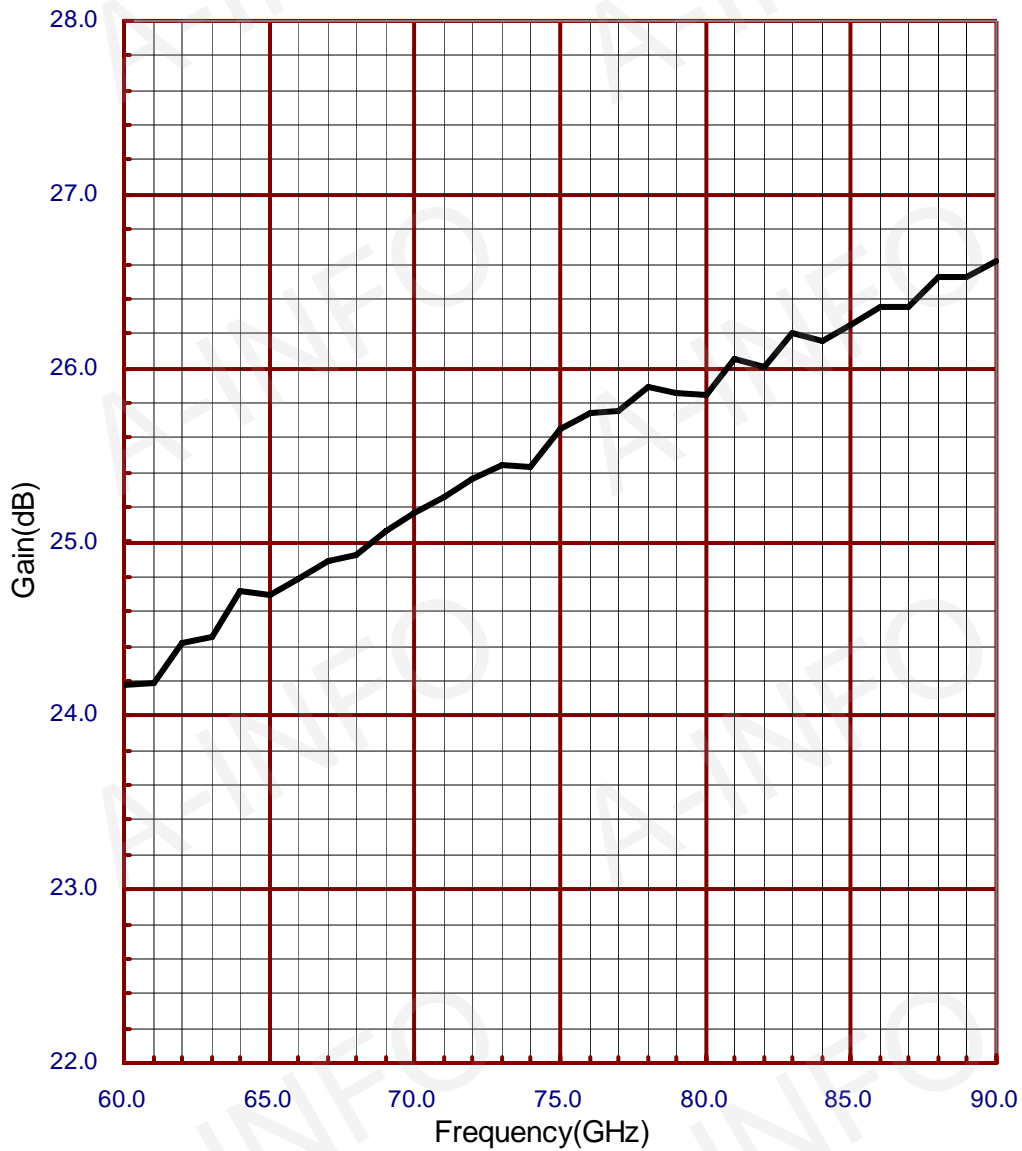
W x H x L: 32x26x82

Flange Drawing



Test Results

Gain



F (GHz)	60.0	62.0	64.0	66.0	68.0	70.0	72.0	74.0
G (dB)	24.18	24.42	24.72	24.78	24.93	25.17	25.36	25.43
F (GHz)	76.0	78.0	80.0	82.0	84.0	86.0	88.0	90.0
G (dB)	25.75	25.89	25.85	26.01	26.16	26.35	26.52	26.61