

A Type



C Type

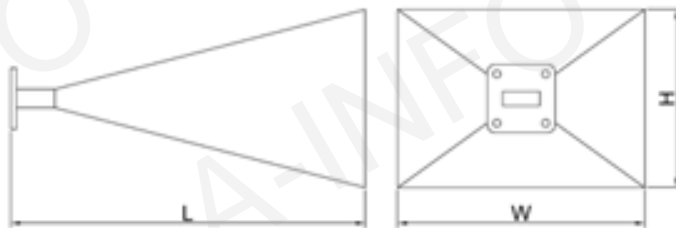


Technical Specification

| | |
|----------------------|---|
| Frequency Range(GHz) | 7.05 - 10.0 |
| Gain(dB) | 20 Typ. |
| 3dB Beamwidth(deg) | 18 Typ. |
| Waveguide | WR112 |
| Material | Al |
| Output | A Type: FBP84 / C Type: N-F or SMA-F |
| Size(mm) W x H x L | A Type: 172x128x230 / C Type: 172x128x270 |
| Net Weight(Kg) | A Type: 0.4 Around / C Type: 0.5 Around |

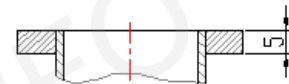
Outline Drawing (Size: mm)

A Type

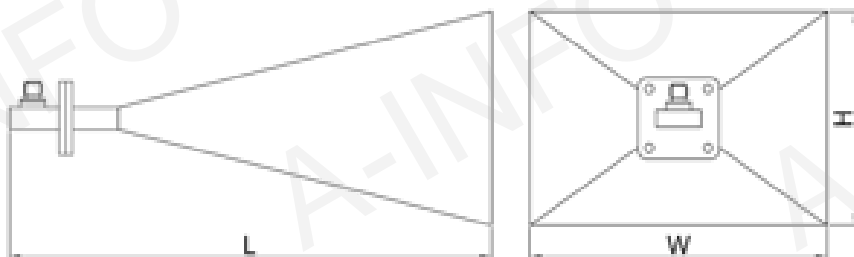


W x H x L: 172x128x230

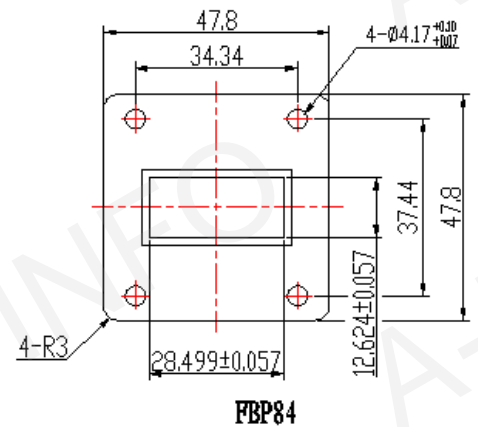
Flange Drawing



C Type



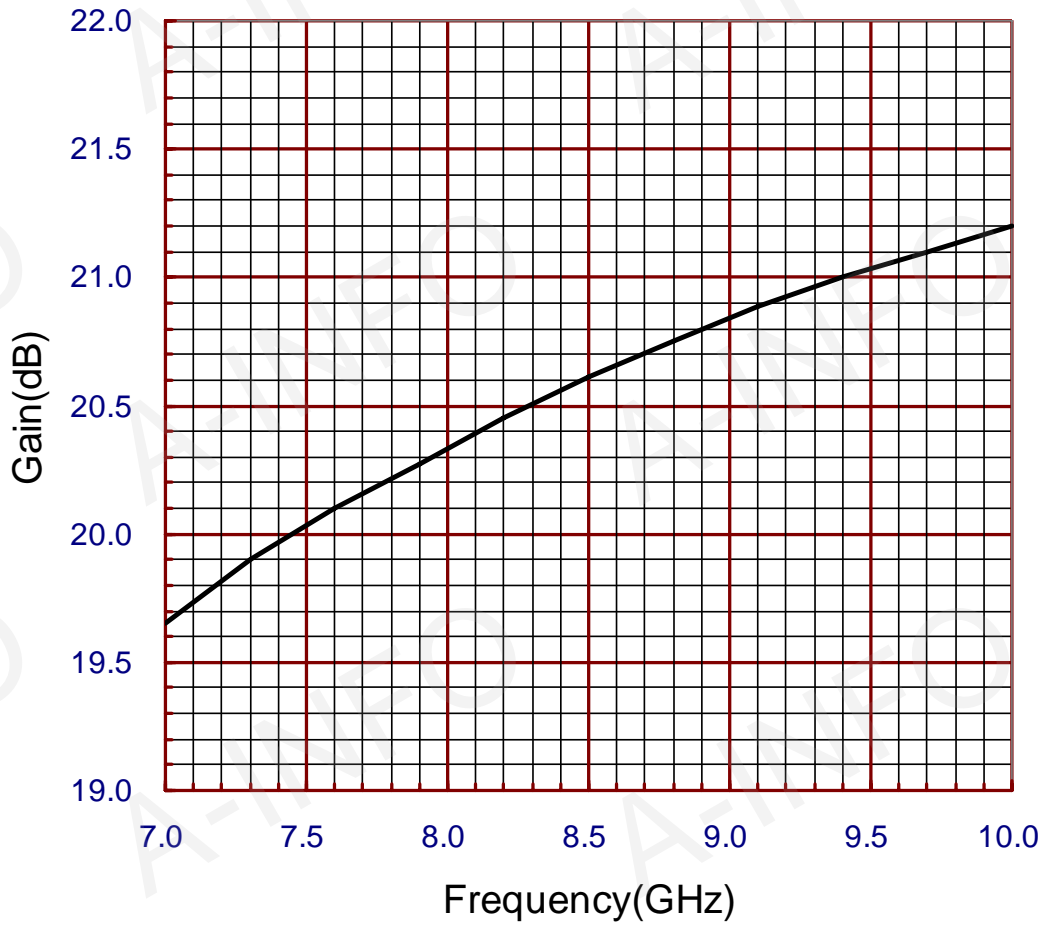
W x H x L: 172x128x270



FBP84

Test Results

Gain



Antenna Factor & Gain Table

| Frequency (GHz) | Antenna Factor (dB/m) | Gain (dB) |
|-----------------|-----------------------|-----------|
| 7.0 | 27.46 | 19.65 |
| 7.3 | 27.58 | 19.90 |
| 7.6 | 27.73 | 20.10 |
| 7.9 | 27.89 | 20.27 |
| 8.2 | 28.04 | 20.45 |
| 8.5 | 28.19 | 20.61 |
| 8.8 | 28.35 | 20.75 |
| 9.1 | 28.51 | 20.89 |
| 9.4 | 28.67 | 21.00 |
| 9.7 | 28.85 | 21.10 |
| 10.0 | 29.01 | 21.20 |