

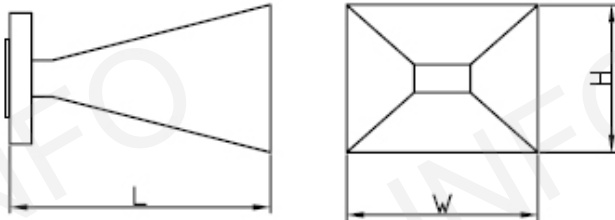
Technical Specification



Frequency Range(GHz)	75.0 - 110.0
Gain(dB)	25 Typ.
3dB Beamwidth(deg)	10 Typ.
Waveguide	WR10
Material	Cu
Output	A Type: FUGP900
Size(mm) W x H x L	A Type: 28x22x70
Net Weight(Kg)	A Type: 0.05 Around

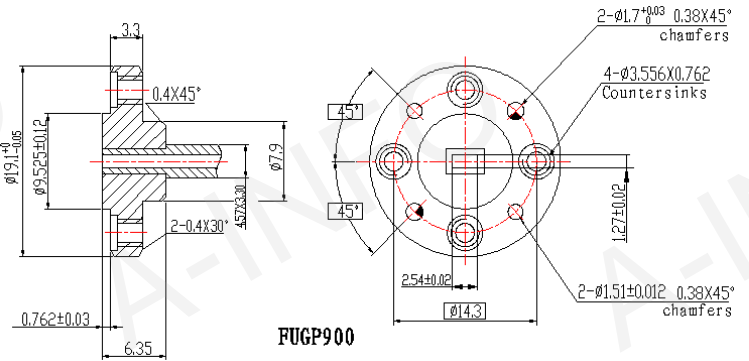
Outline Drawing (Size: mm)

A Type



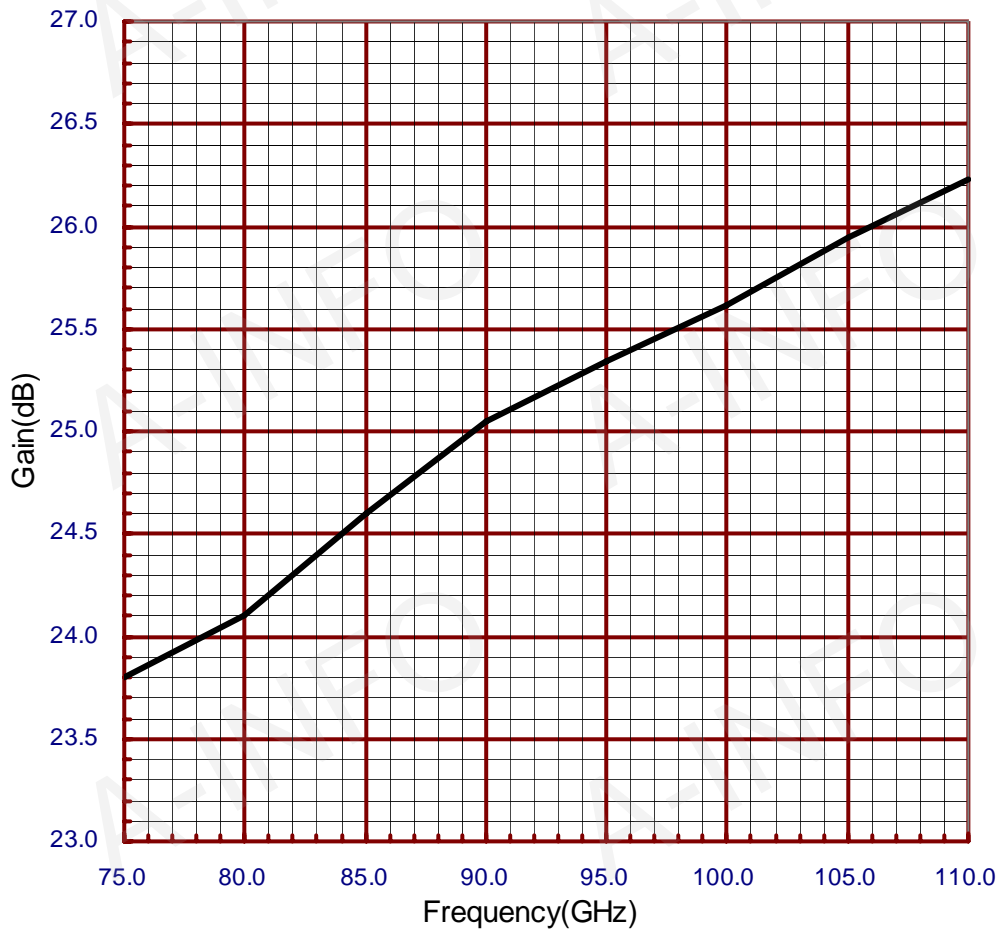
W x H x L: 28x22x70

Flange Drawing



Test Results

Gain



F (GHz)	75	80	85	90	95	100	105	110
G (dB)	23.8	24.10	24.6	25.05	25.34	25.61	25.95	26.23