

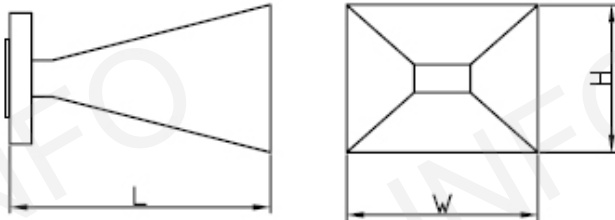
Technical Specification



Frequency Range(GHz)	75.0 - 110.0
Gain(dB)	20 Typ.
3dB Beamwidth(deg)	18 Typ.
Waveguide	WR10
Material	Cu
Output	A Type: FUGP900
Size(mm) W x H x L	A Type: 16x13x31.4
Net Weight(Kg)	A Type: 0.02 Around

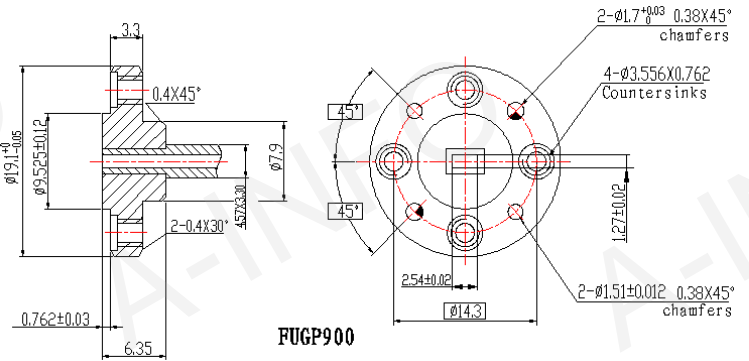
Outline Drawing (Size: mm)

A Type



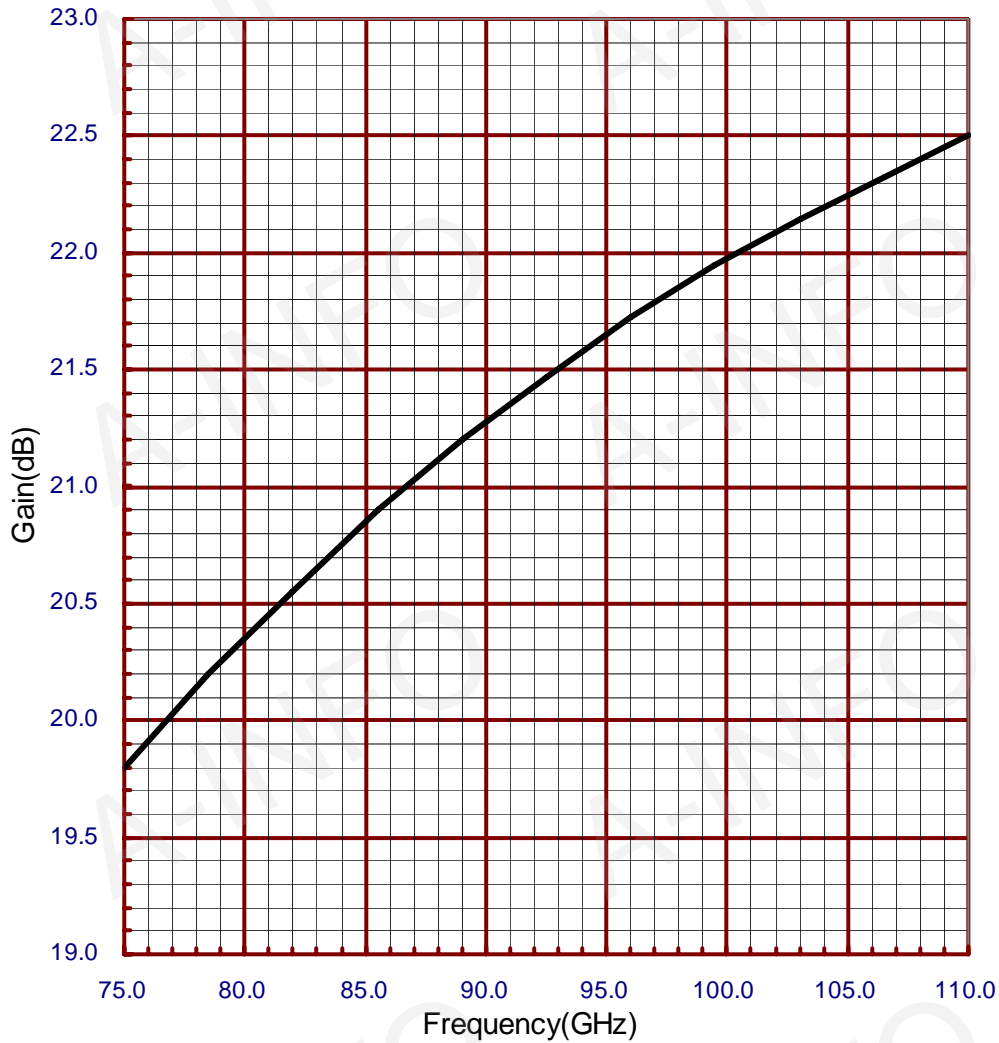
W x H x L: 16x13x31.4

Flange Drawing



Test Results

Gain



F (GHz)	75.0	78.5	82.0	85.5	89.0	92.5	96.0	99.5	103.0	106.5	110.0
G (dB)	19.80	20.20	20.55	20.90	21.20	21.47	21.72	21.95	22.14	22.32	22.50