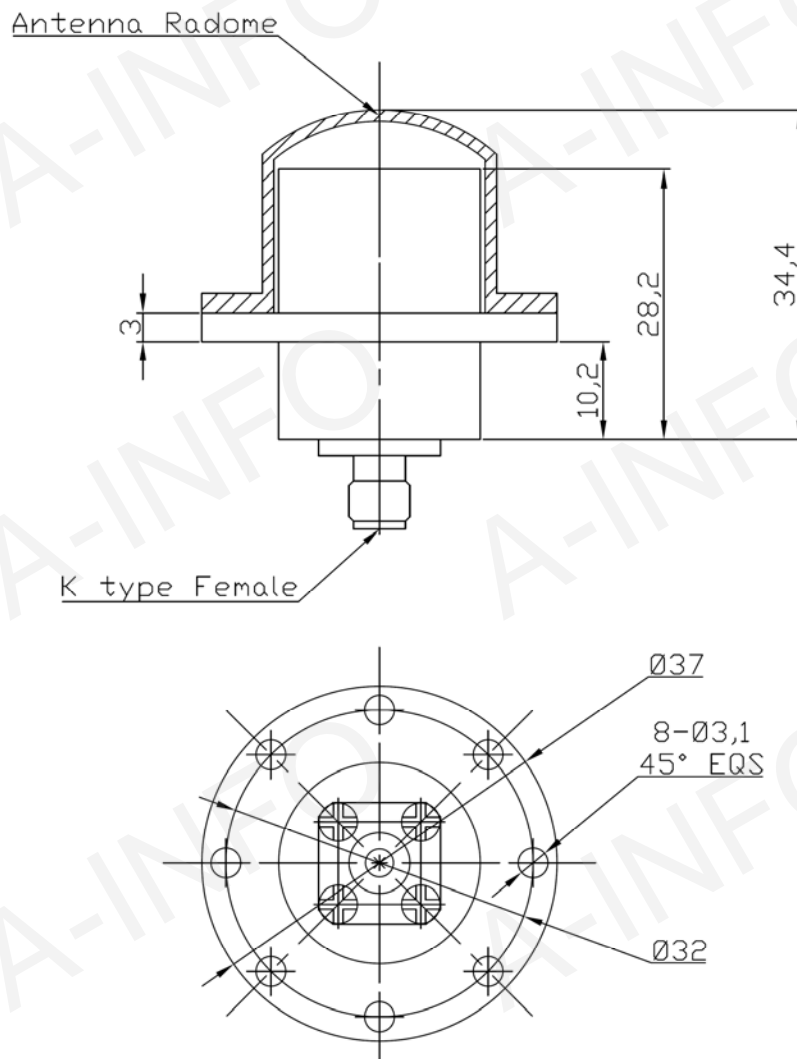


## Technical Specification



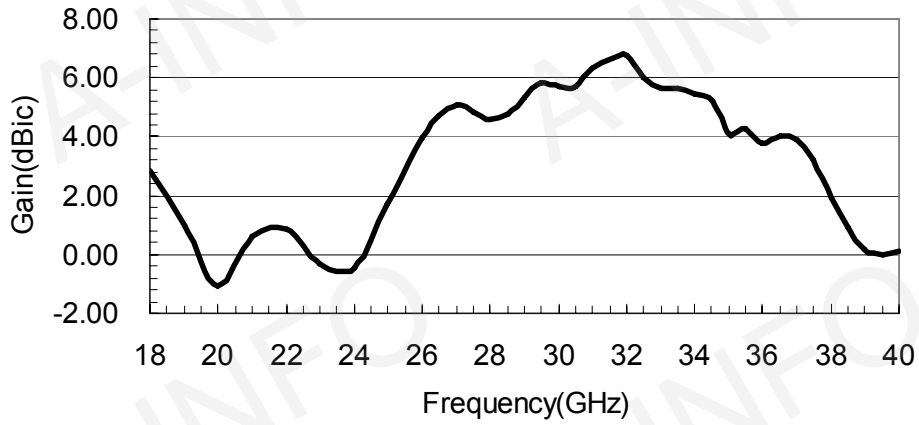
Polarization	LHCP or RHCP
Frequency Range(GHz)	18 - 40
Gain(dBic)	2.84 @18GHz
	5.70 @30GHz
	0.12 @40GHz
Axial Ratio(dB)	5.5 Max
3dB Beamwidth(deg)	E: 100 - 45
	H: 95 - 40
VSWR	2.0 : 1 Typ.
	3.0 : 1 Max
Connector	2.92mm-Female
Size(mm)	Φ37 x 34.4
Net Weight(Kg)	0.05 Around

## Outline Drawing (Size: mm)

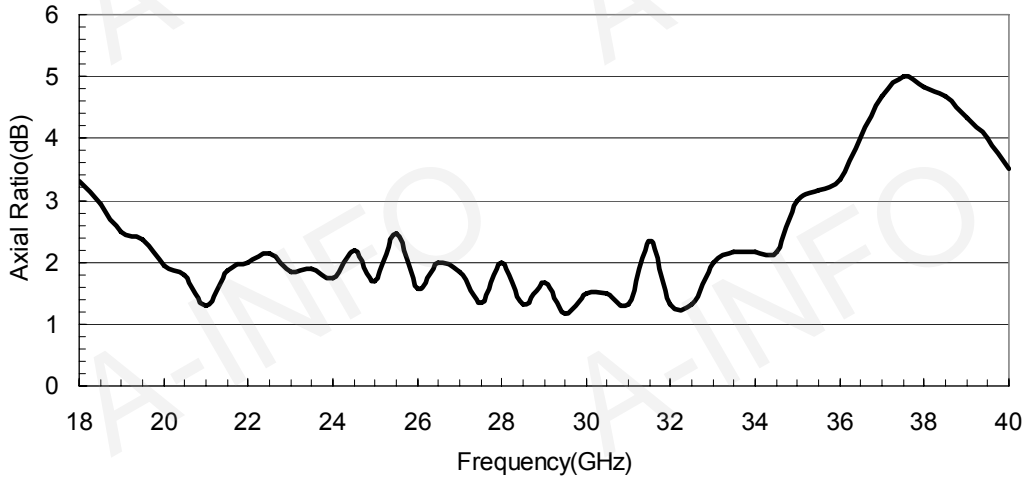


## Test Results

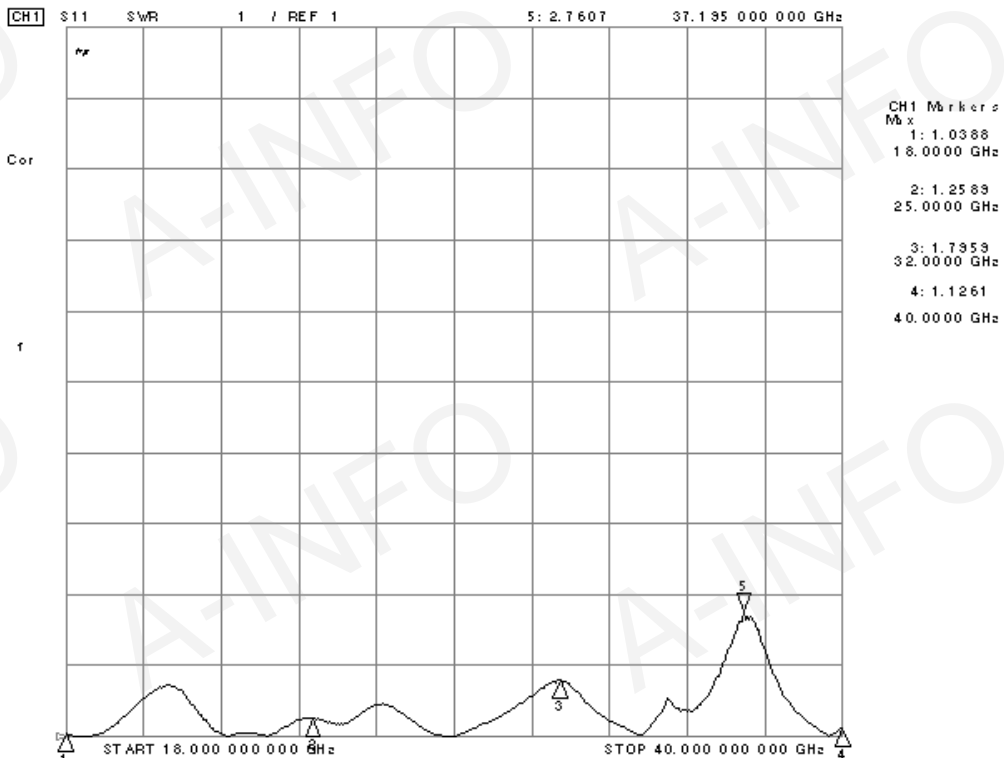
### 1. Gain



### 2. Axial Ratio



### 3. VSWR



## 4. Pattern

