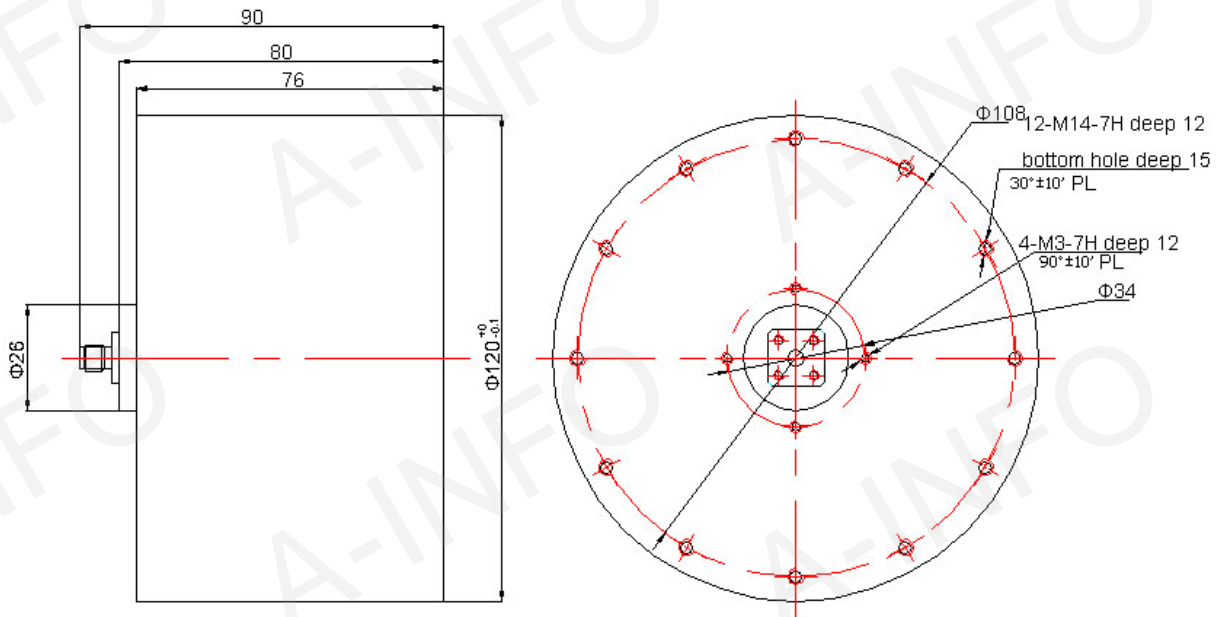


## Technical Specification



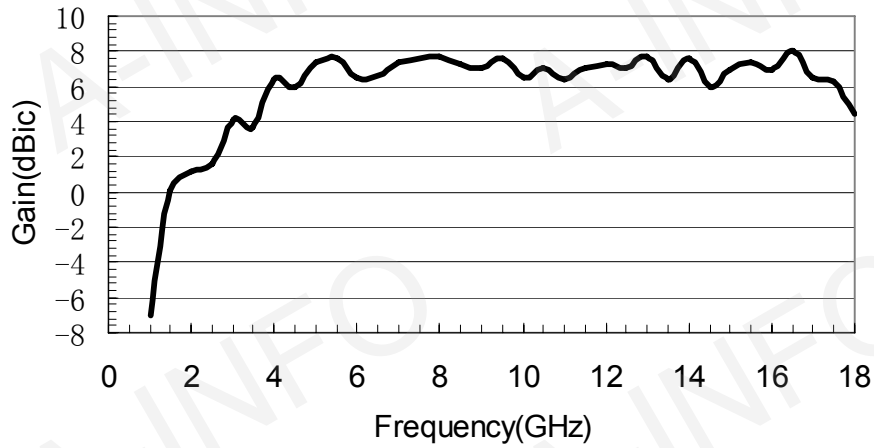
Polarization	LHCP or RHCP
Frequency Range(GHz)	1 - 18
Gain(dBic)	-6.98 @1GHz
	7.67 @8GHz
	4.41 @18GHz
Axial Ratio(dB)	3 Max
3dB Beamwidth(deg)	E: 115 - 60
	H: 110 - 60
VSWR	2.0 : 1Typ.
	3.0 : 1 Max
Connector	SMA-Female
Size(mm)	Φ120x 90
Net Weight(Kg)	0.87 Around

## Outline Drawing and Mounting

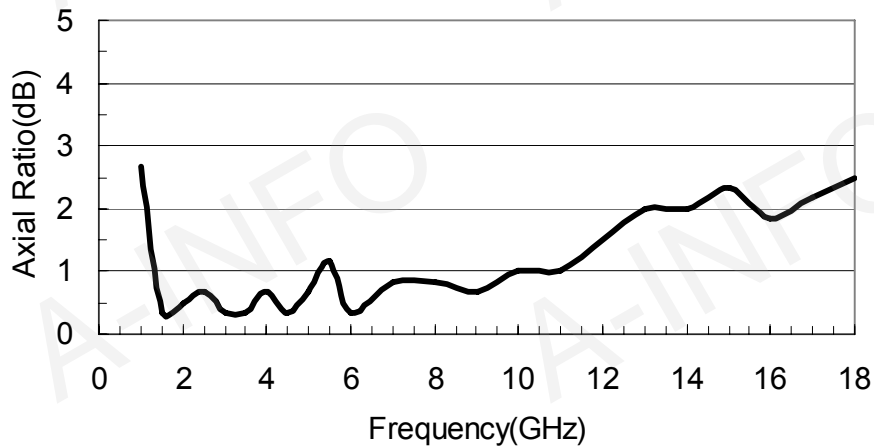


## Test Results

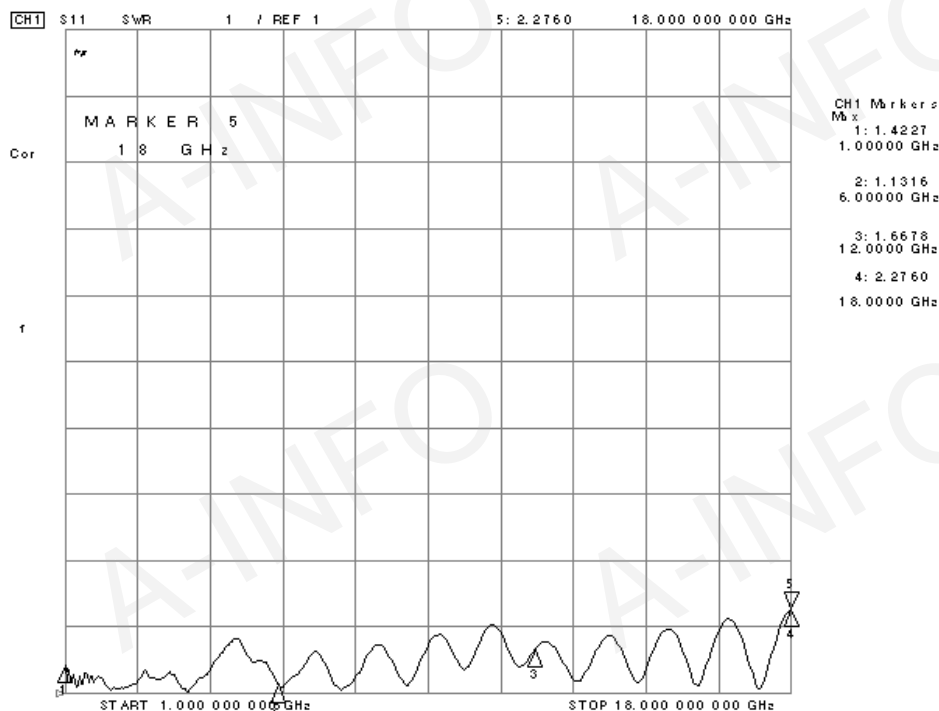
### 1. Gain



### 2. Axial Ratio



### 3. VSWR



## 4. Pattern

