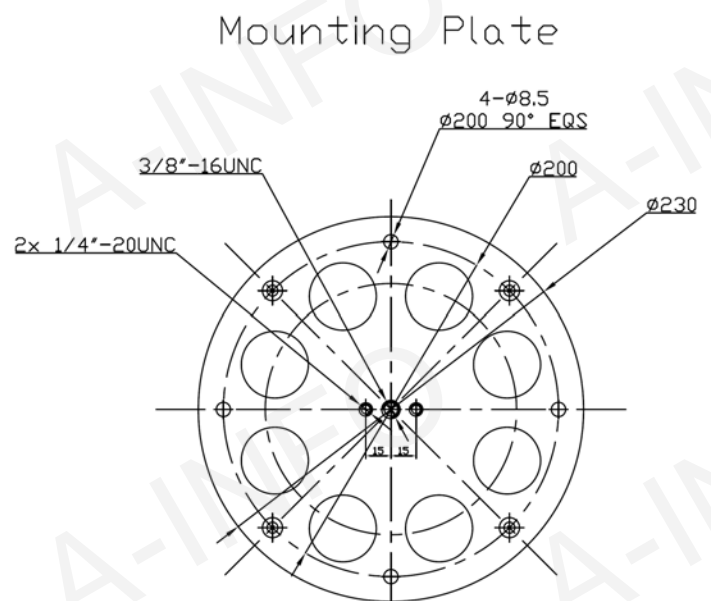
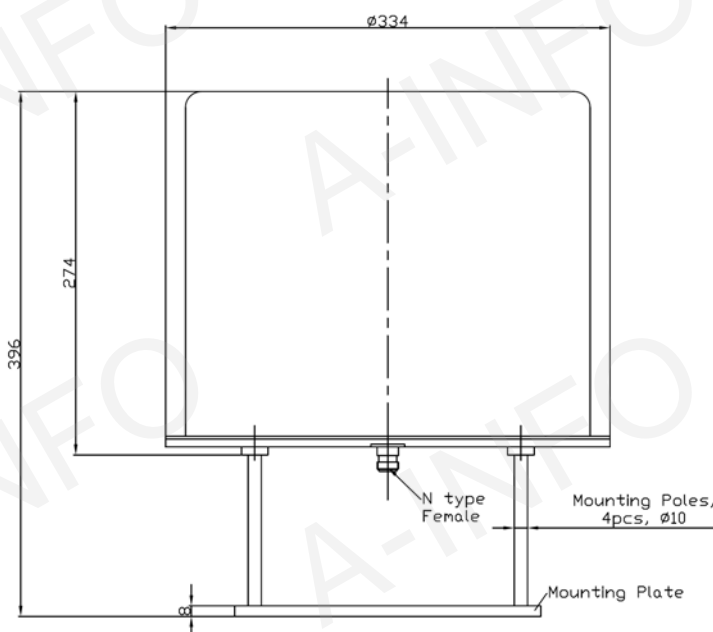




## Technical Specification

Frequency Range(MHz)	200 - 6000
Gain(dBi)	0 Typ.
Antenna Factor(dBm-1)	Pls. see the test results
VSWR	2.0 : 1 Typ.
Polarization	Vertical
Connector	N-Female
Size(mm)	Φ334 x 396 approx.
Net Weight(Kg)	4.5 Around (Antenna Radome & Mounting Plate Included)

## Outline Drawing (Size: mm)

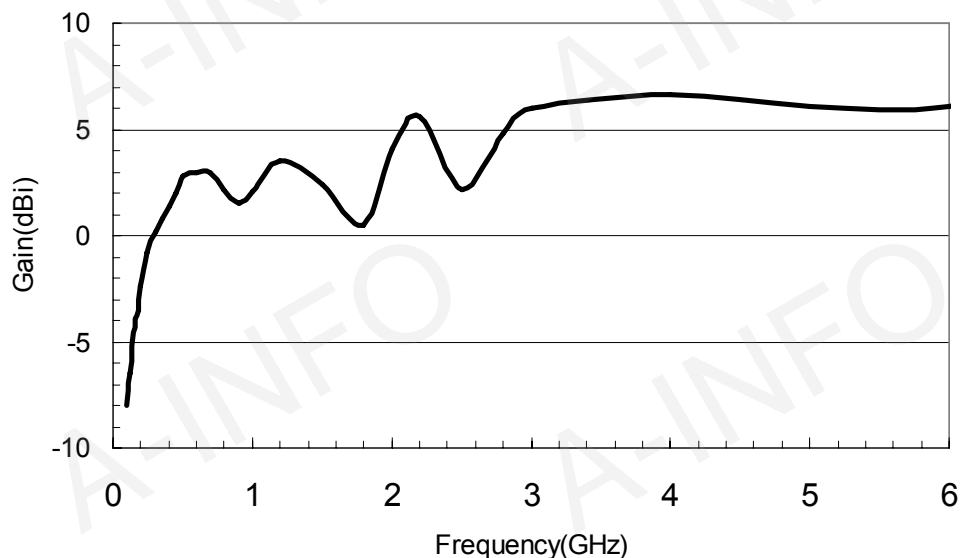


## Test Results

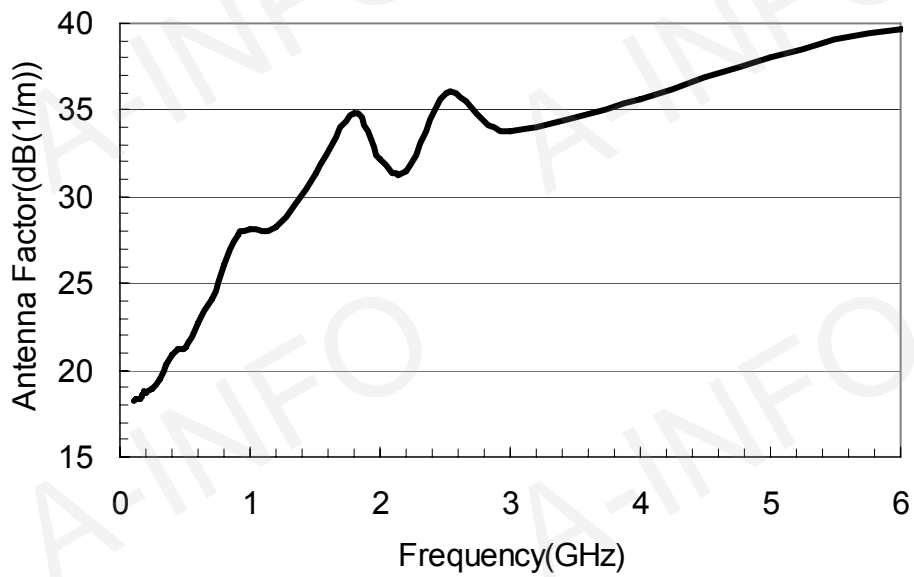
### 1. Gain & Antenna Factor

Frequency(GHz)	Gain(dBi)	Antenna Factor(dBm-1)
0.20	-2.4	18.63
0.25	-0.8	18.97
0.30	0.2	19.55
0.35	0.8	20.29
0.40	1.4	20.85
0.45	2.0	21.27
0.5	2.8	21.39
0.6	3.0	22.77
0.7	3.0	24.11
0.8	2.2	26.07
0.9	1.5	27.79
1.0	2.1	28.11
1.2	3.5	28.29
1.5	2.4	31.33
1.8	0.5	34.82
2.0	4.1	32.13
2.2	5.6	31.46
2.5	2.2	35.97
2.8	4.8	34.35
3.0	6.0	33.75
4.0	6.6	35.65
5.0	6.1	38.09
6.0	6.1	39.67

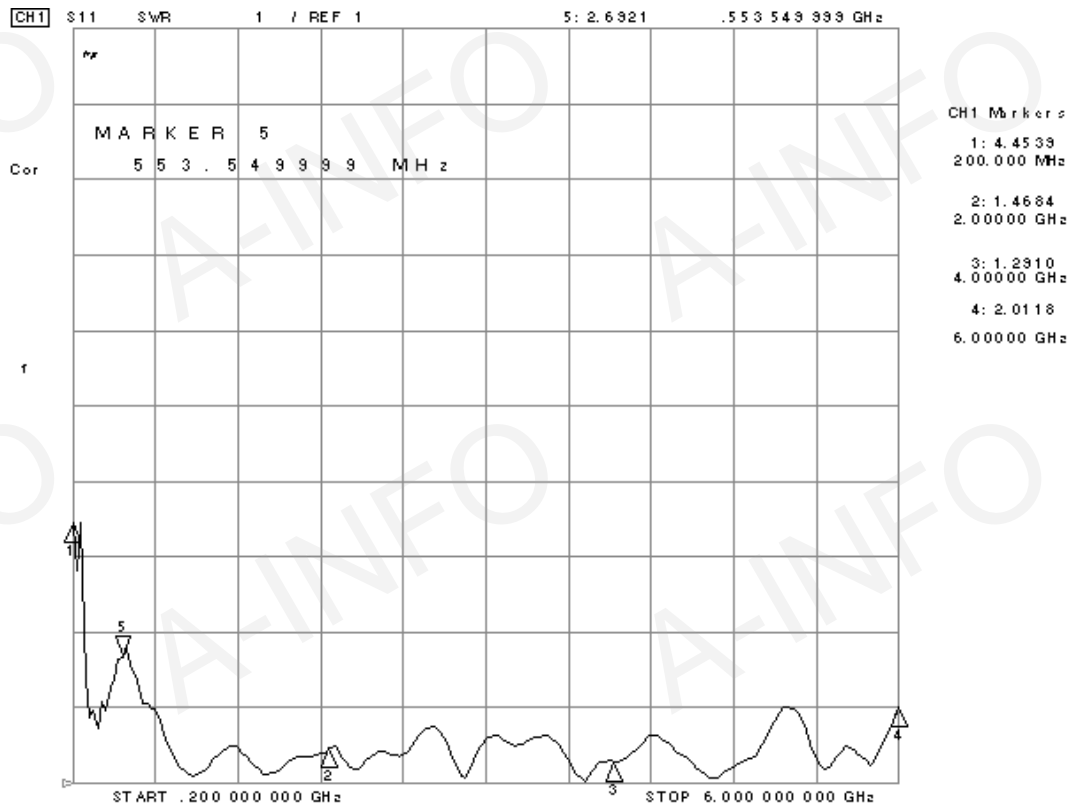
### 2. Gain Curve



### 3. Antenna Factor Curve

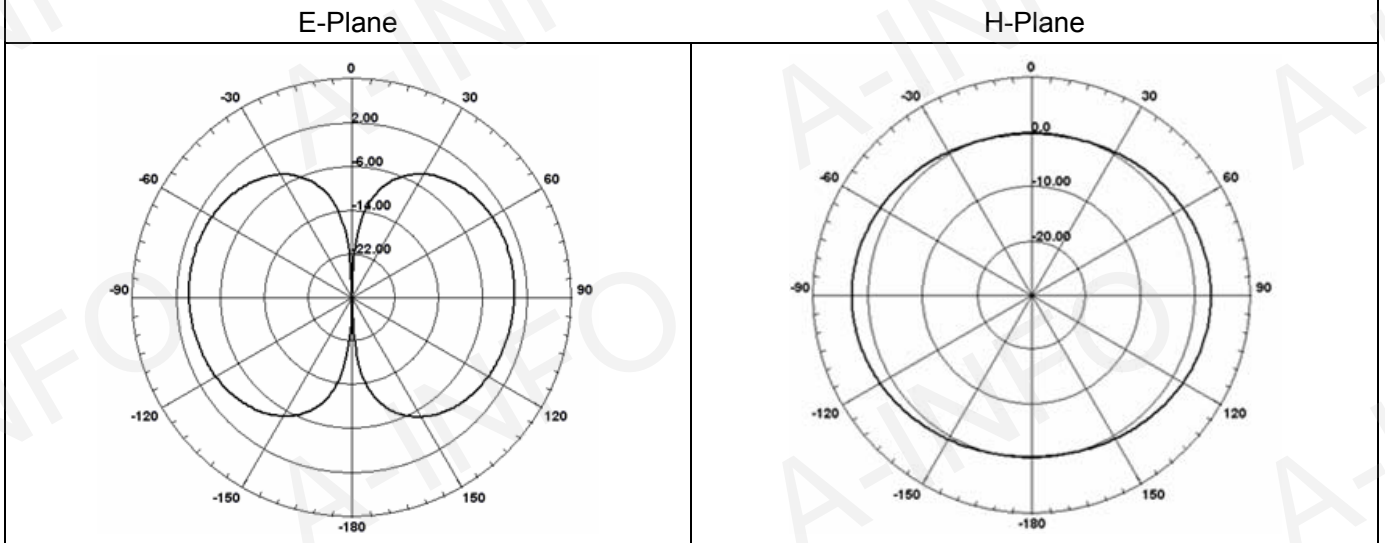


### 4. VSWR

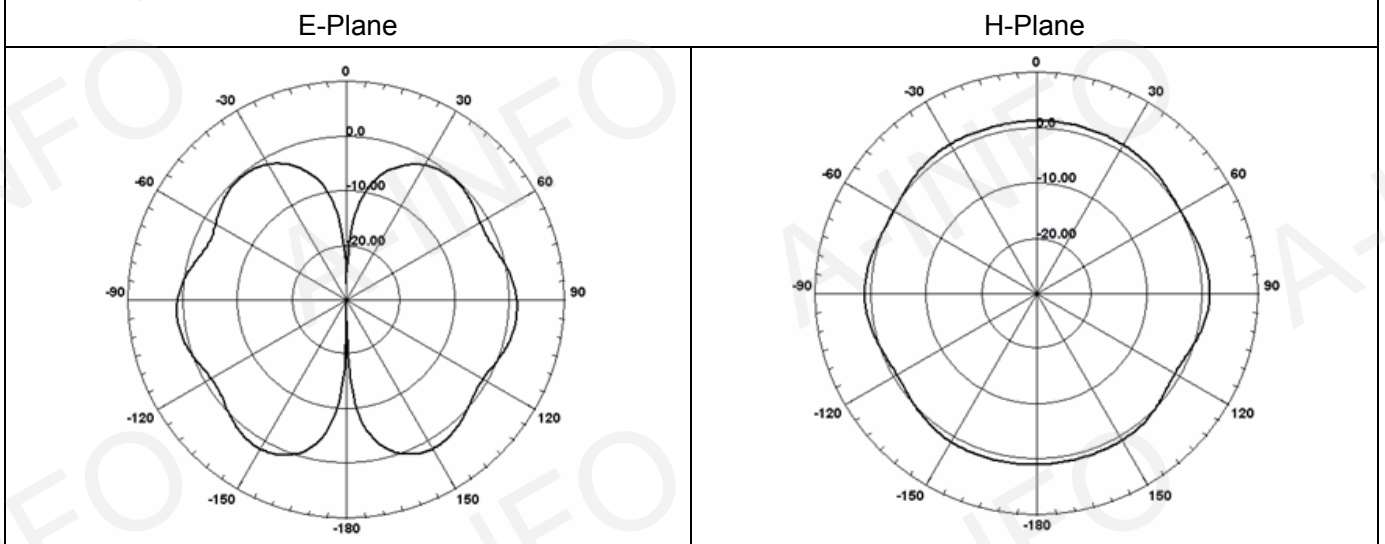


## 5. Pattern

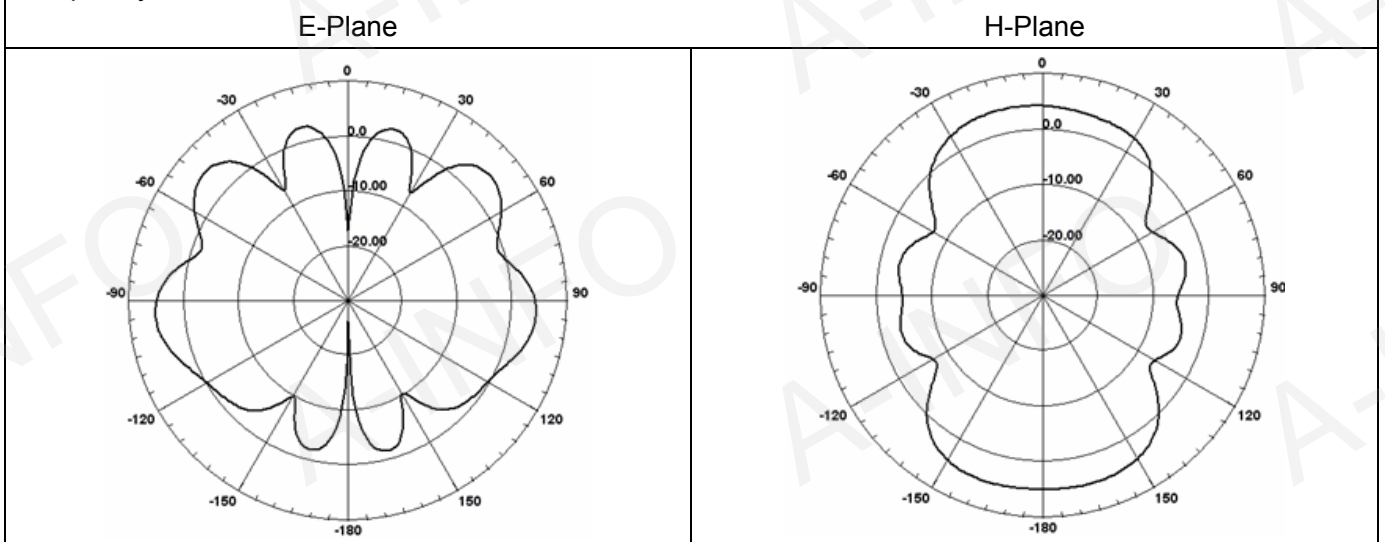
Frequency: 0.5GHz



Frequency: 1.0GHz

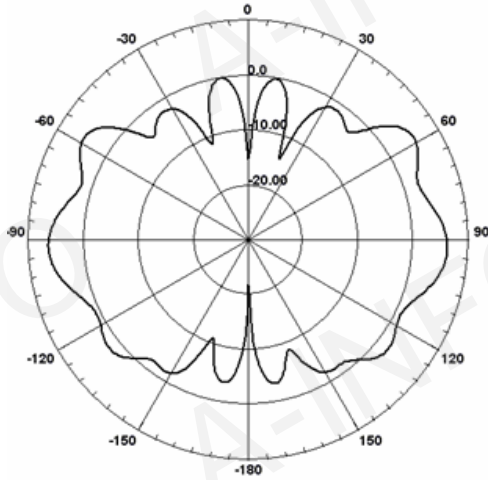


Frequency: 2.0GHz

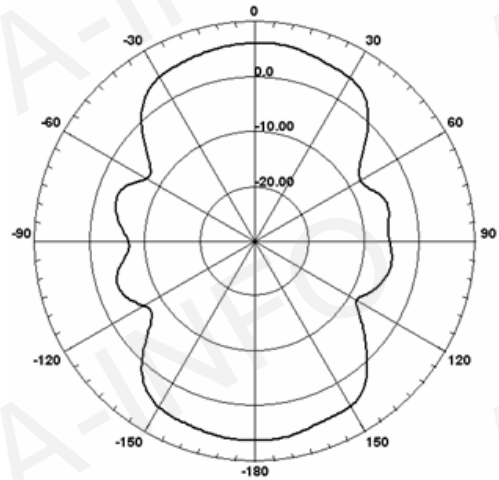


Frequency: 3.0GHz

E-Plane

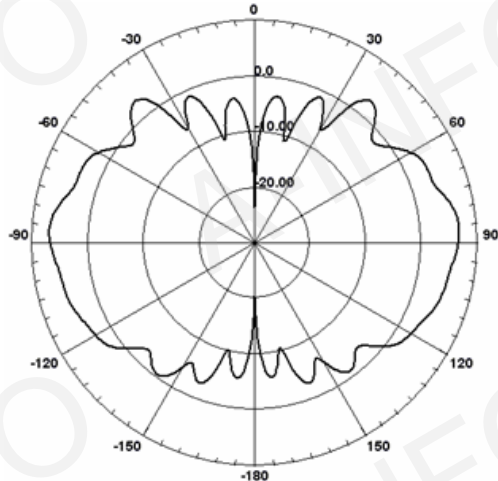


H-Plane

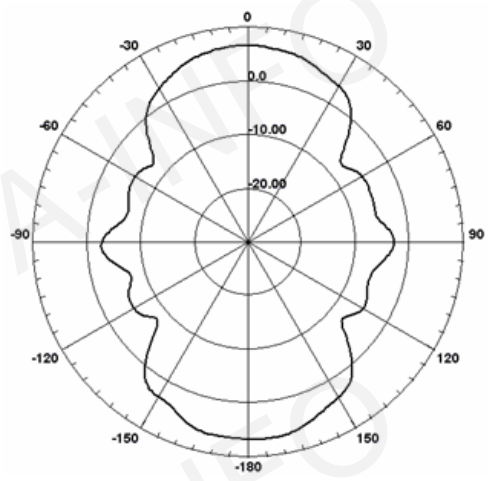


Frequency: 4.0GHz

E-Plane

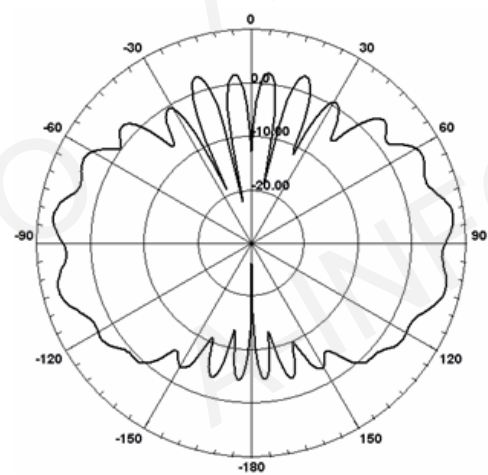


H-Plane

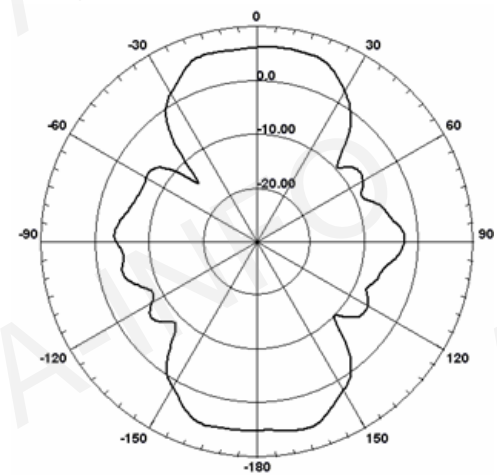


Frequency: 5.0GHz

E-Plane



H-Plane



Frequency: 6.0GHz

E-Plane

H-Plane

