



Test report is for reference only.

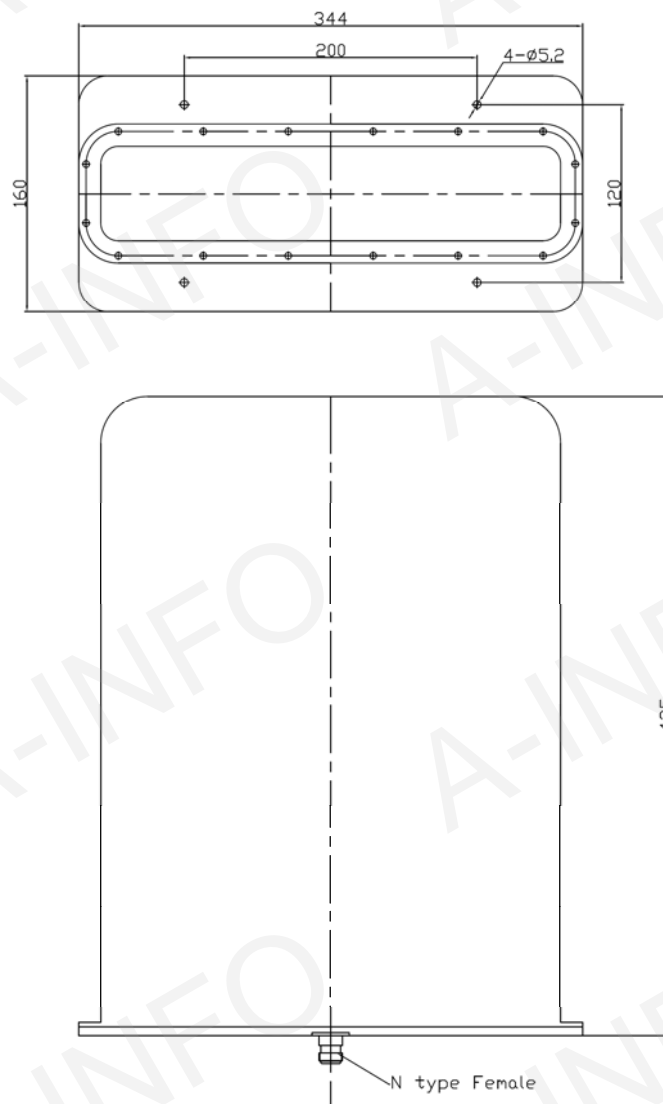
TEST REPORT
For
OA-200-400-0



Technical Specification

Frequency Range(MHz)	200-400
Gain(dBi)	0+/-2
VSWR	2.0 Typ.
Connector	N-Female
Power(W)	30
Size(mm)	344x160x435
Net Weight(Kg)	2.5 Around

Outline Drawing (Size: mm)



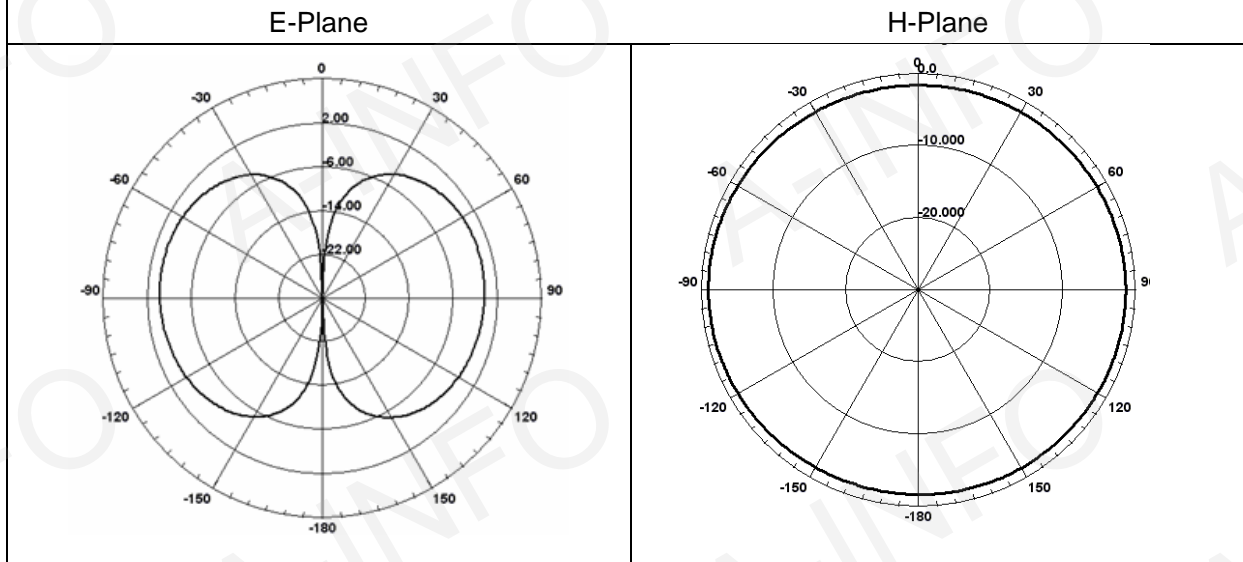
Test Results

1. Gain

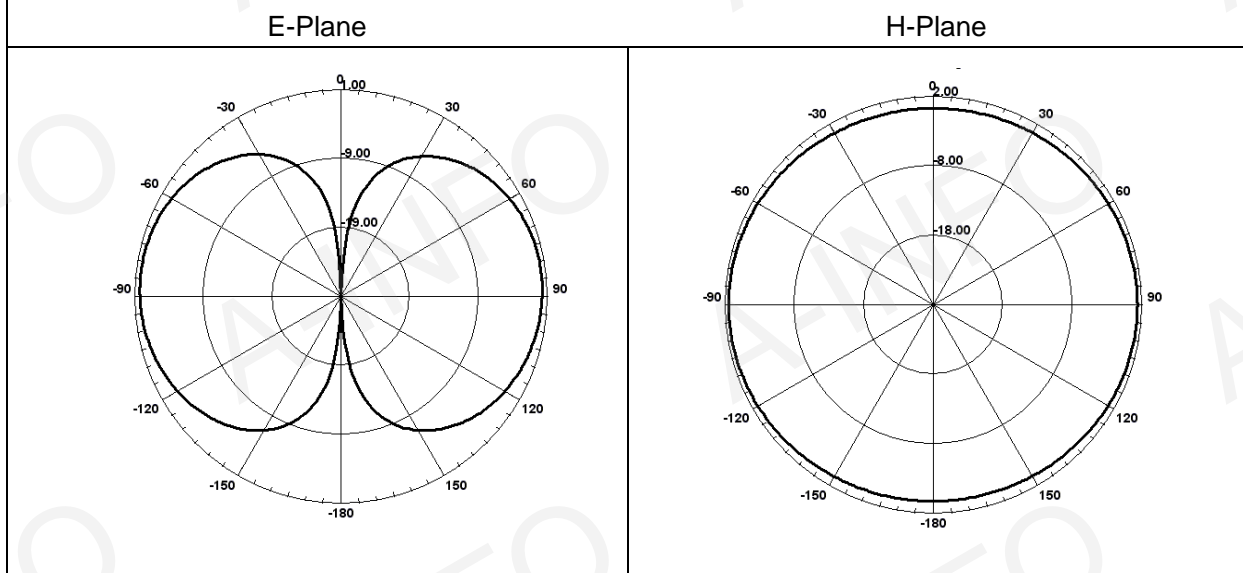
Frequency(MHz)	200	300	400
Gain(dBi)	-1.4	0.7	1.1

2. Pattern

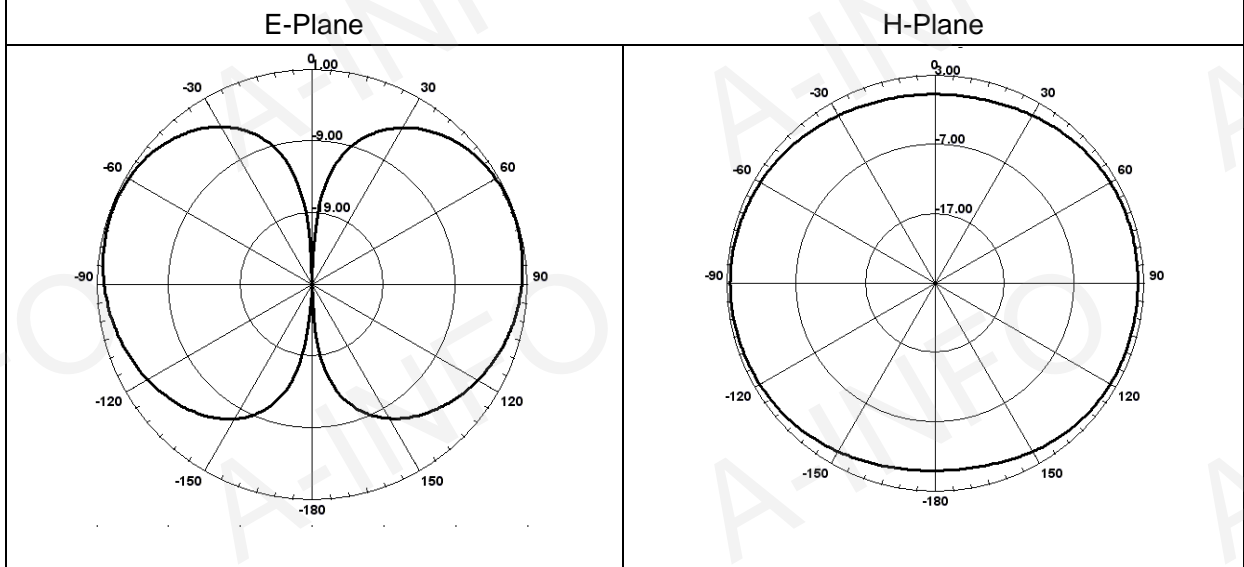
Frequency: 200MHz



Frequency: 300MHz



Frequency: 400MHz



3. VSWR

