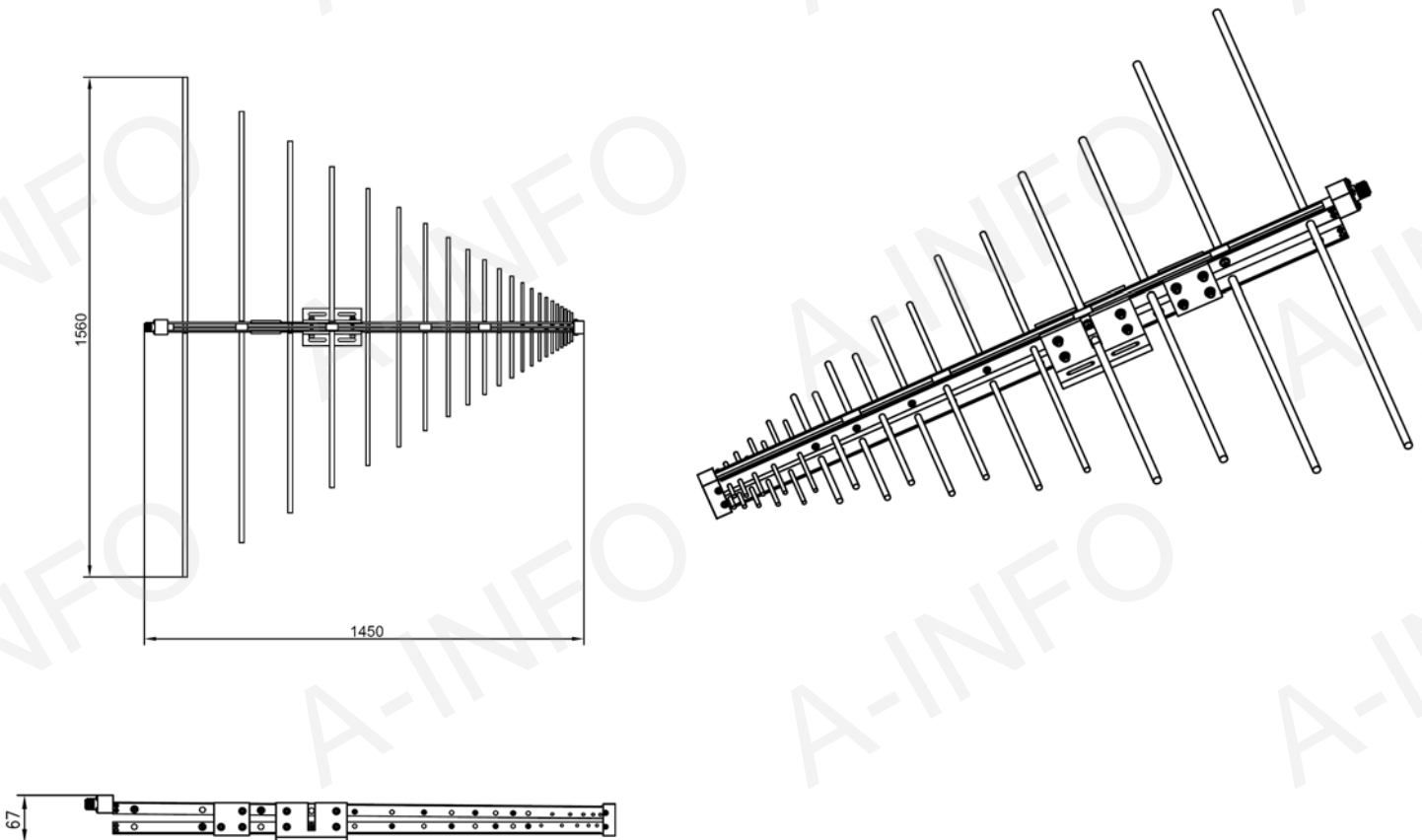


Technical Specification



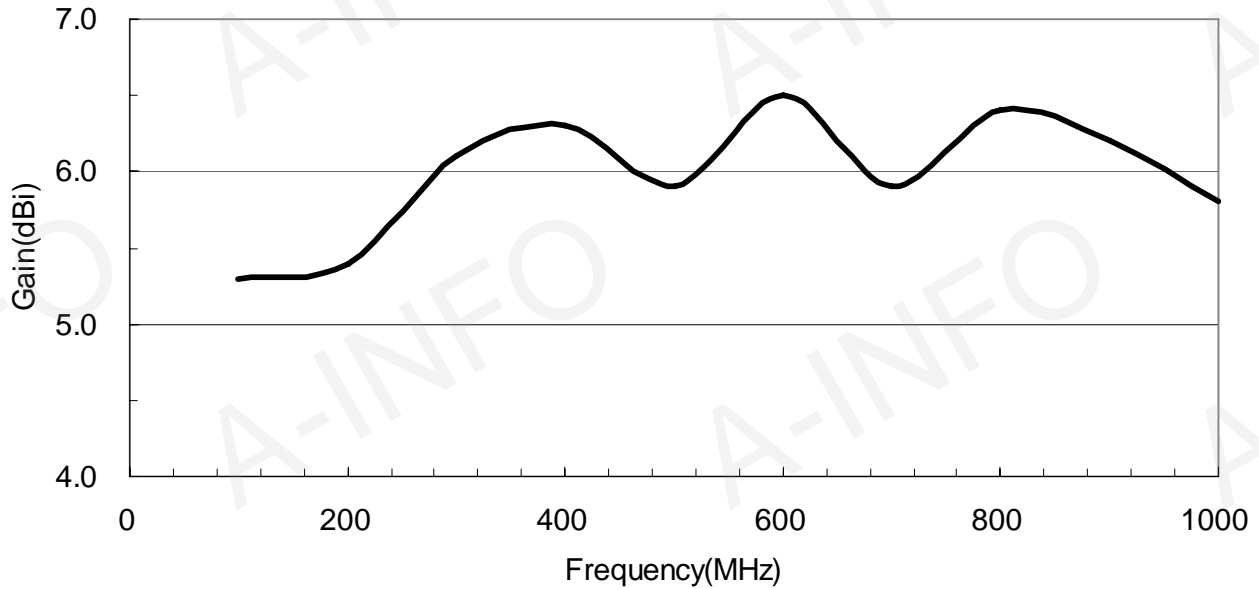
Frequency Range(GHz)	0.1 - 1.0
Gain(dBi)	6 Typ.
Polarization	Linear
VSWR	2.0 Max.
Connector	N-Female
Size(mm)	1560 x 1450
Net Weight(Kg)	2.5 Around

Outline Drawing (Size: mm)

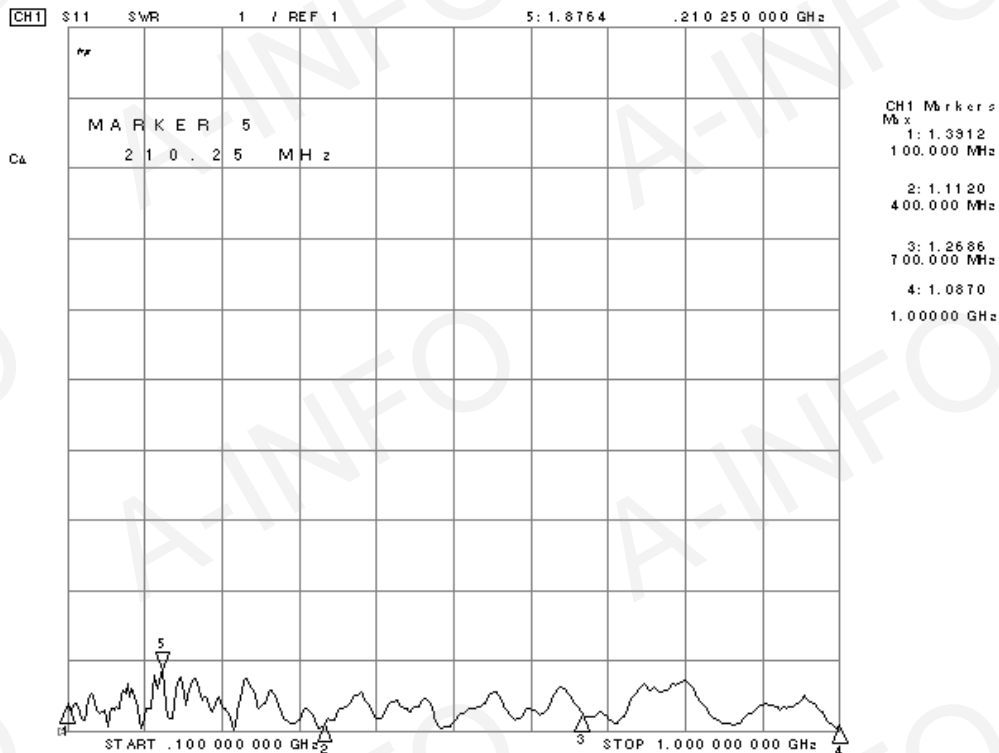


Test Results

1. Gain

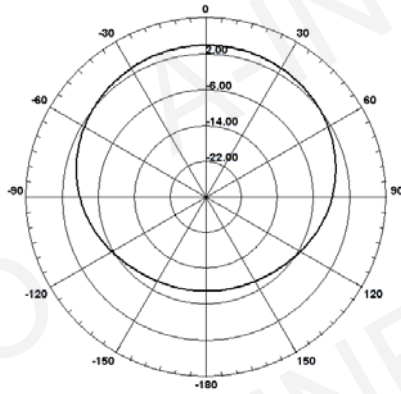


2. VSWR

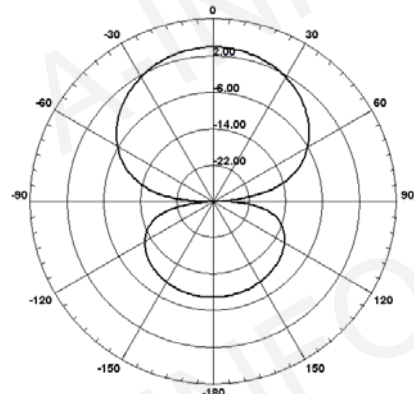


3. Pattern

Frequency: 100MHz

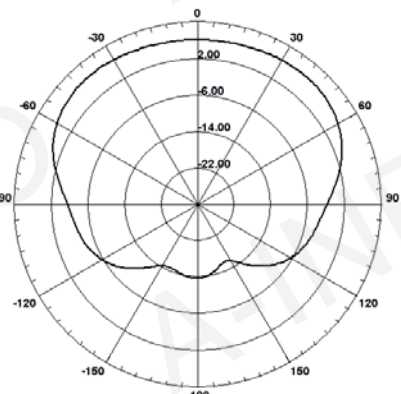


E-Plane

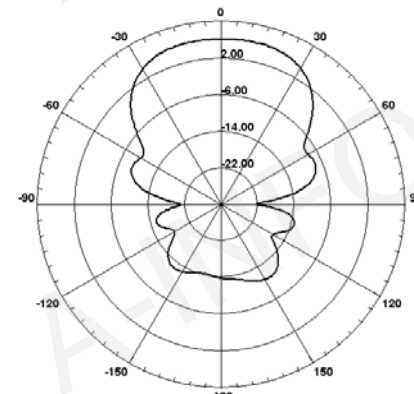


H-Plane

Frequency: 600MHz

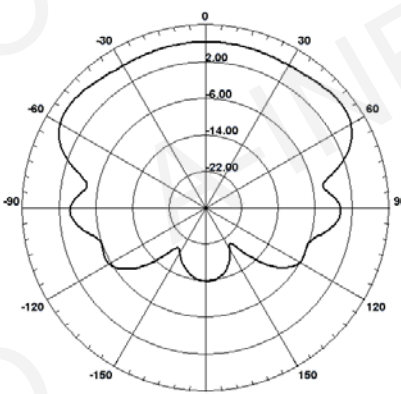


E-Plane

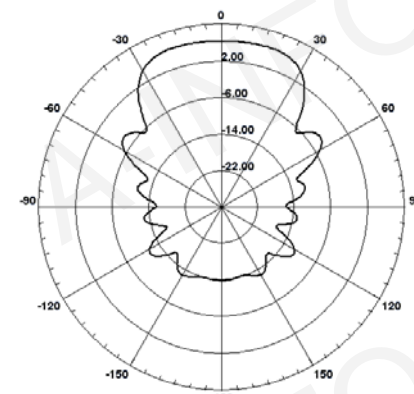


H-Plane

Frequency: 1000MHz



E-Plane



H-Plane