

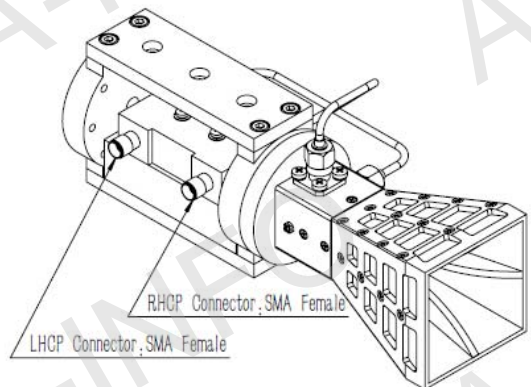
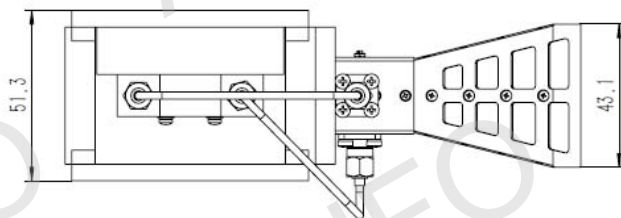
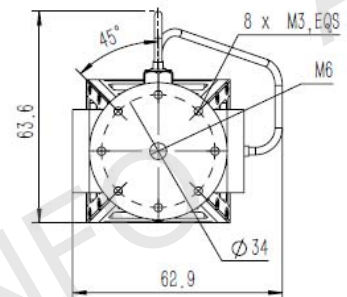
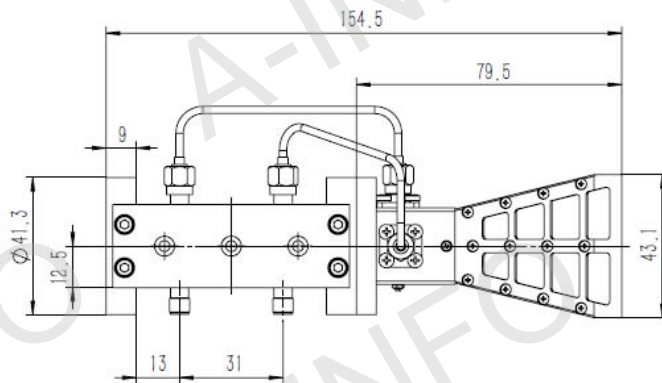
Technical Specification



Frequency Range(GHz)	6-24.5
Gain(dBi)	13 Typ.
Polarization	Dual Circular
Axial Ratio(dB)	3.0 Typ.
	6.0 Max.
3dB Beamwidth(deg)	70-15
Port to Port Isolation(dB)	15 Typ.
VSWR	2.0:1 Max.
Output	SMA Female
Power Handling(W)	20 Max. CW
Material	Al
Size(mm)	62.9 x 63.6 x 154.5
Net Weight(Kg)	1.5 Around

Outline Drawing (Size: mm)

SMA Female Output



AINFO Inc.

Page 1 of 19

China(Beijing):
China(Chengdu):
USA :

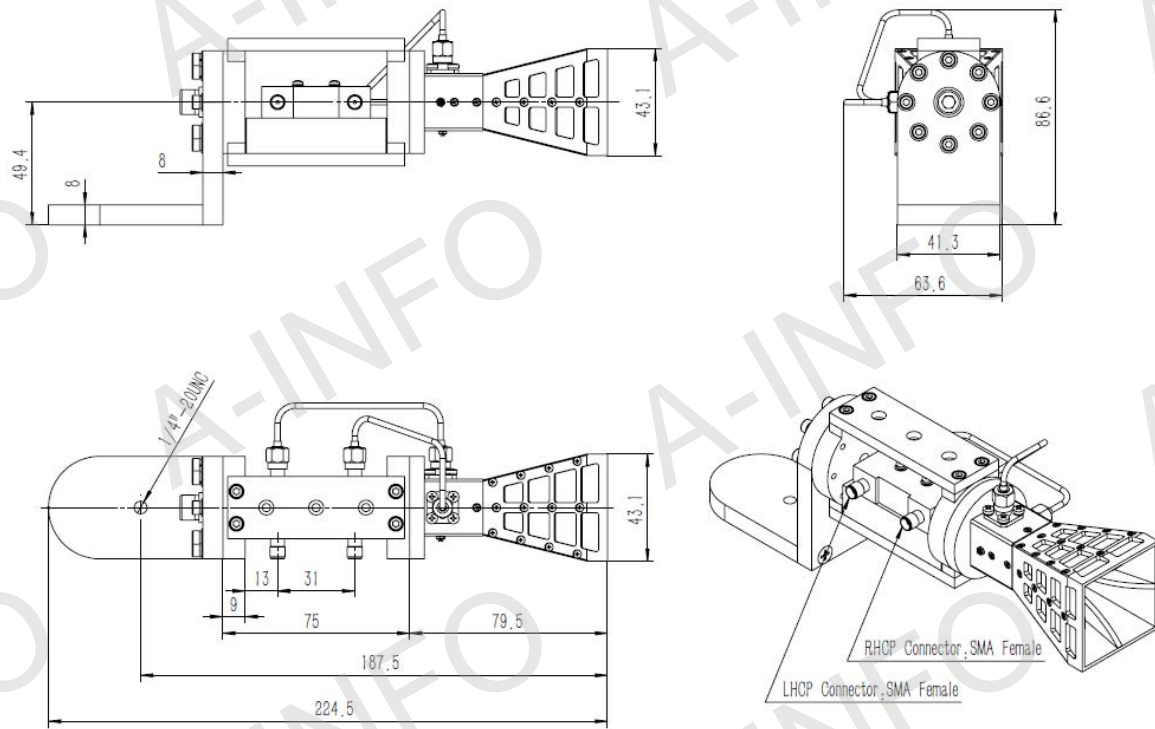
Tel: (+86) 10-6266-7326,
Tel: (+86) 28-8519-2786,
Tel: (+1) 949-639-9688,

(+86) 10-6266-7327
(+86) 28-8519-3044
(+1) 949-639-9608

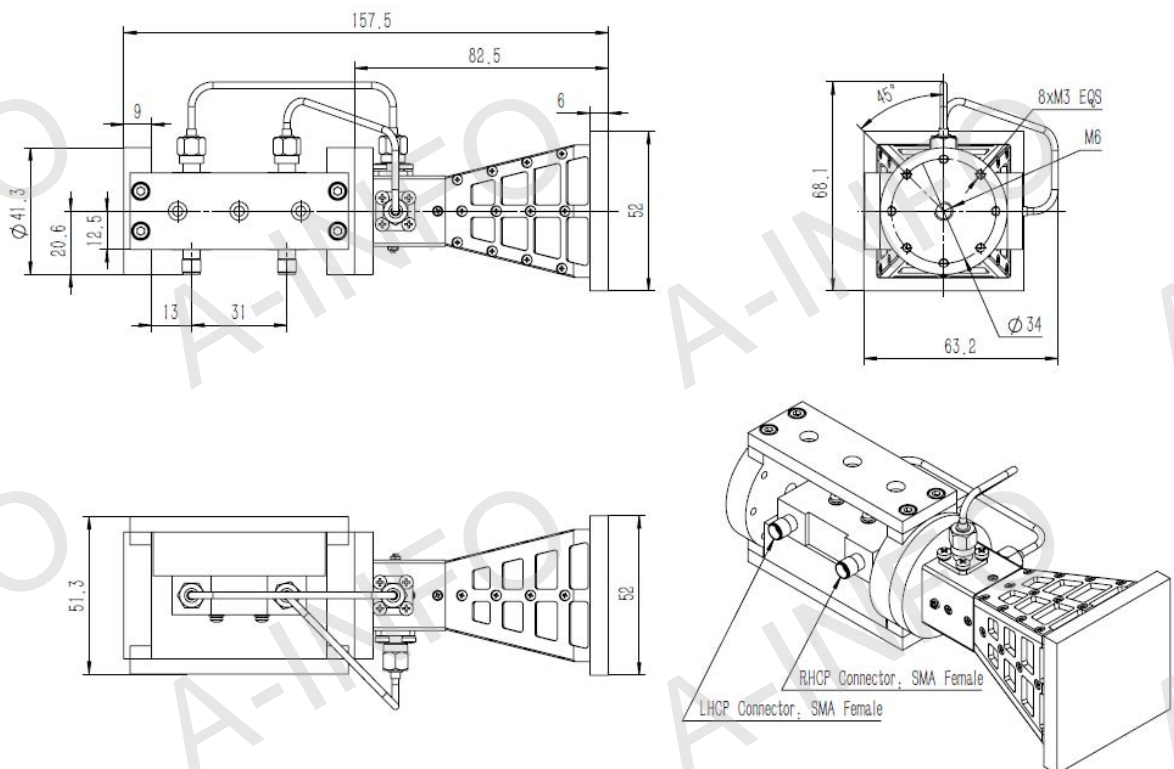
Fax: (+86) 10-6266-7379
Fax: (+86) 28-8519-3068
Fax: (+1) 949-639-9670

Website: www.ainfoinc.com
Email: sales@ainfoinc.com

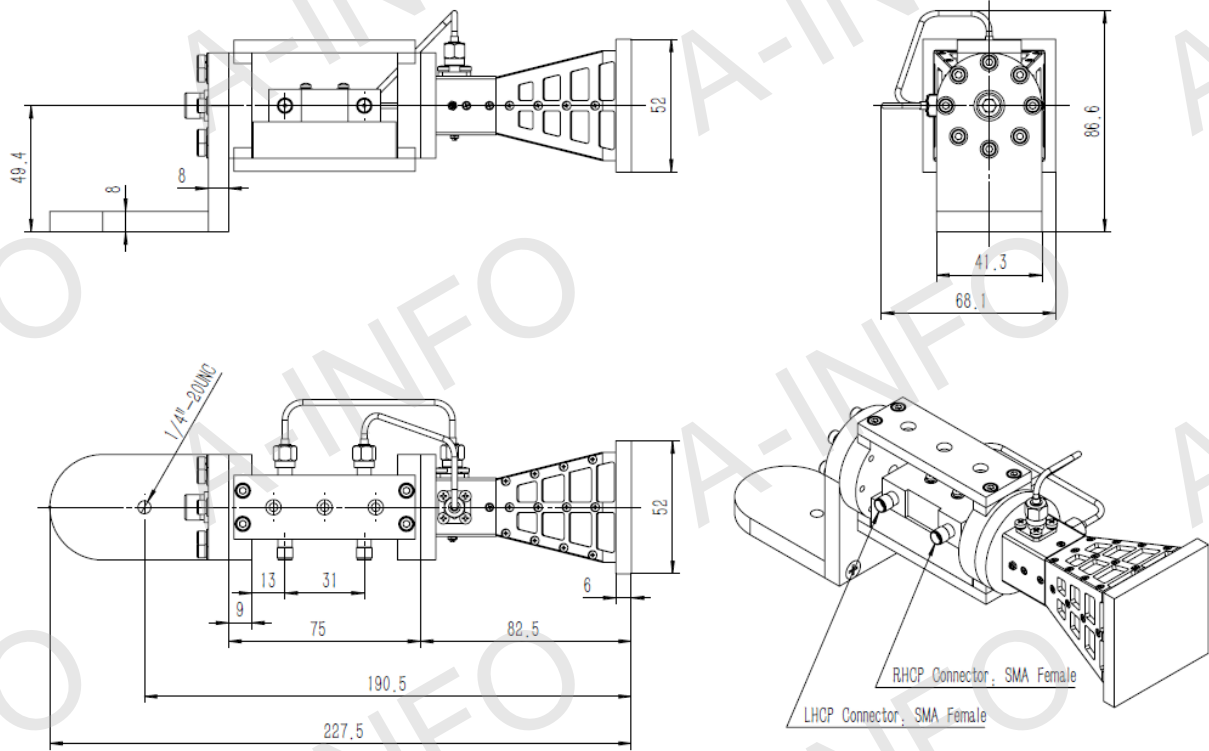
SMA Female Output with L type mounting bracket



SMA Female Output with Radome

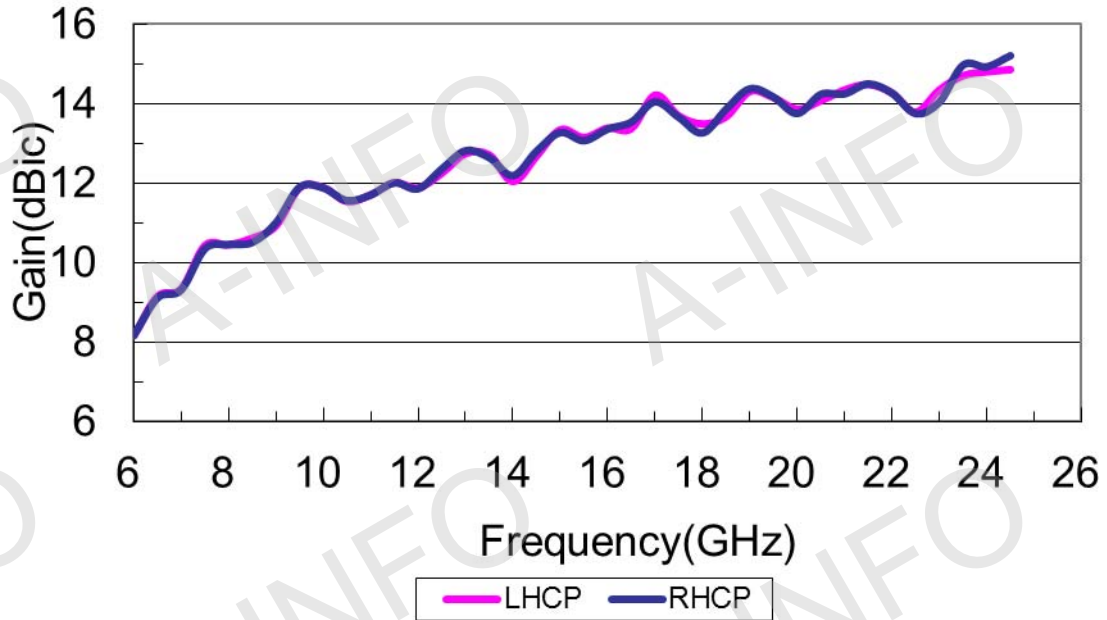


SMA Female Output with Radome & L type mounting bracket

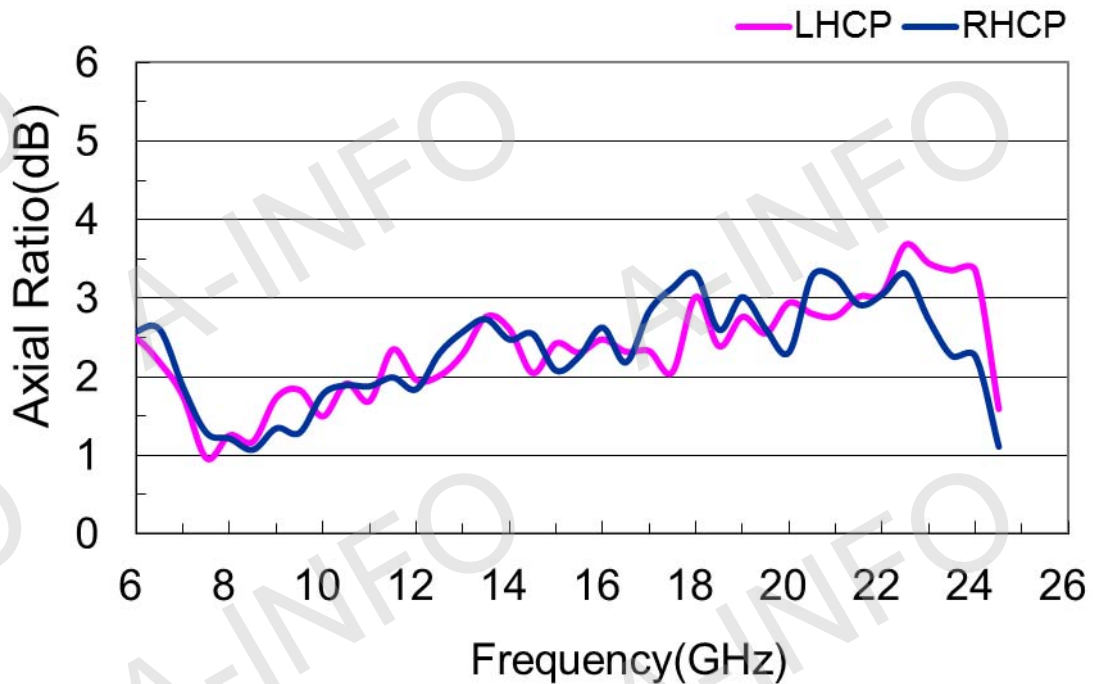


Test Results

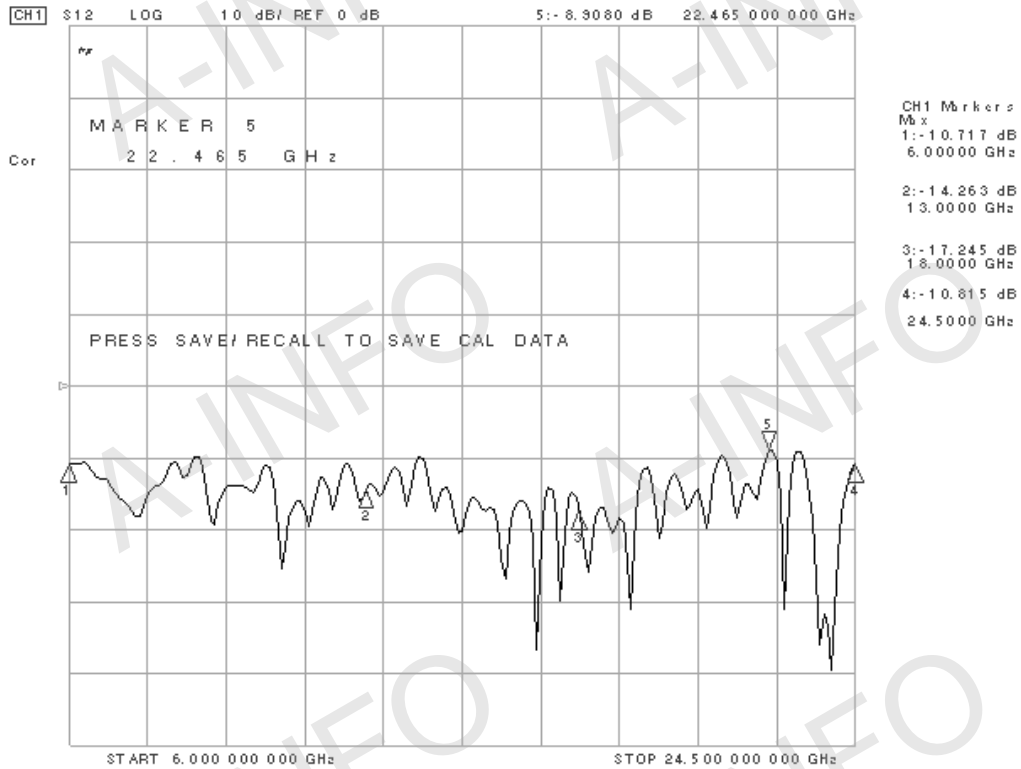
1. Gain



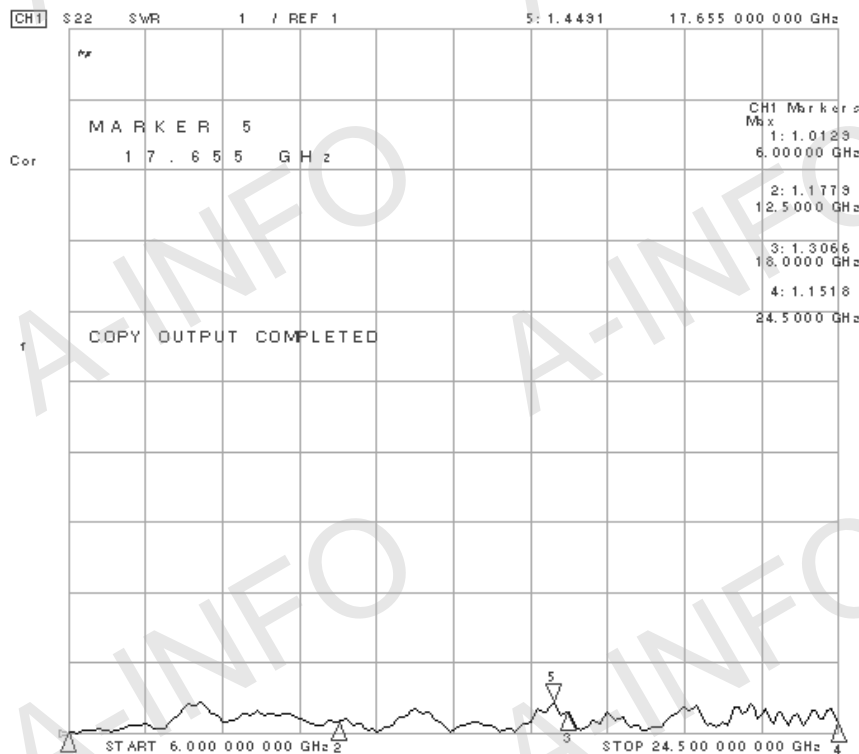
2. Axial Ratio



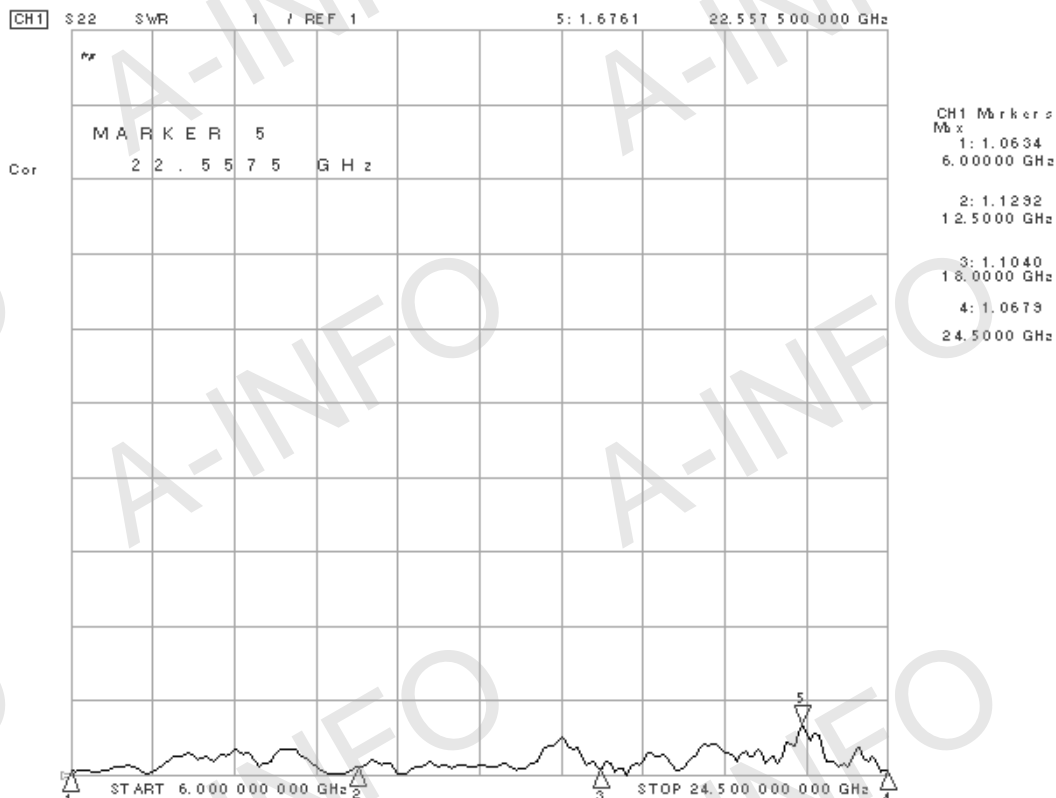
3. Port to Port Isolation



4. VSWR LHCP



RHCP



AINFO Inc.

Page 6 of 19

China(Beijing):
China(Chengdu):
USA :

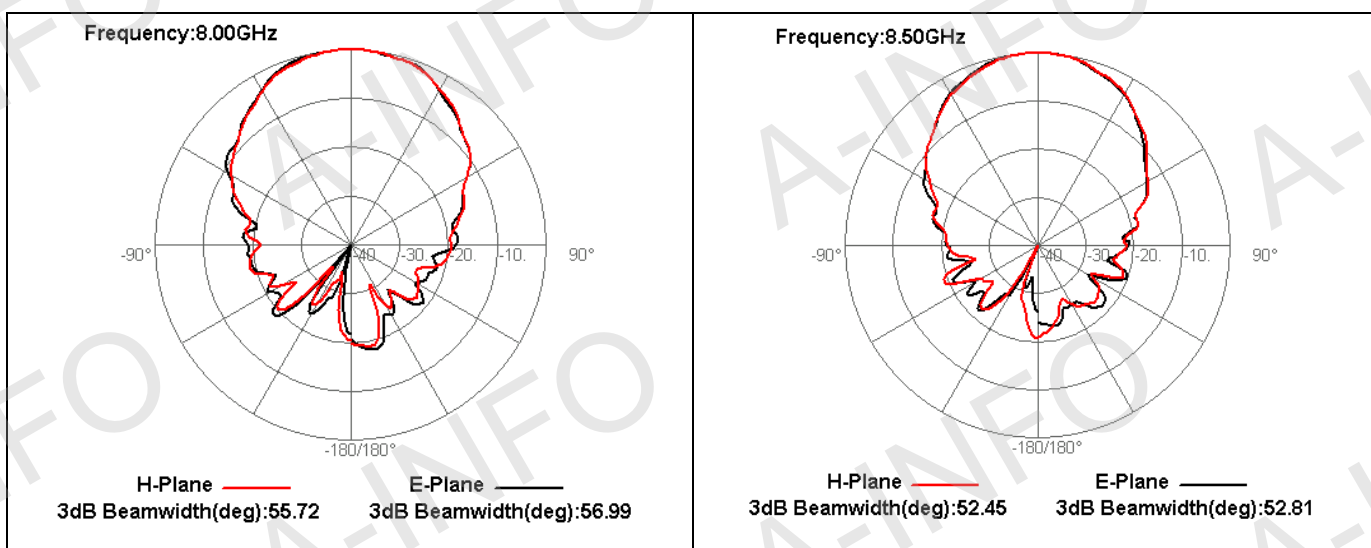
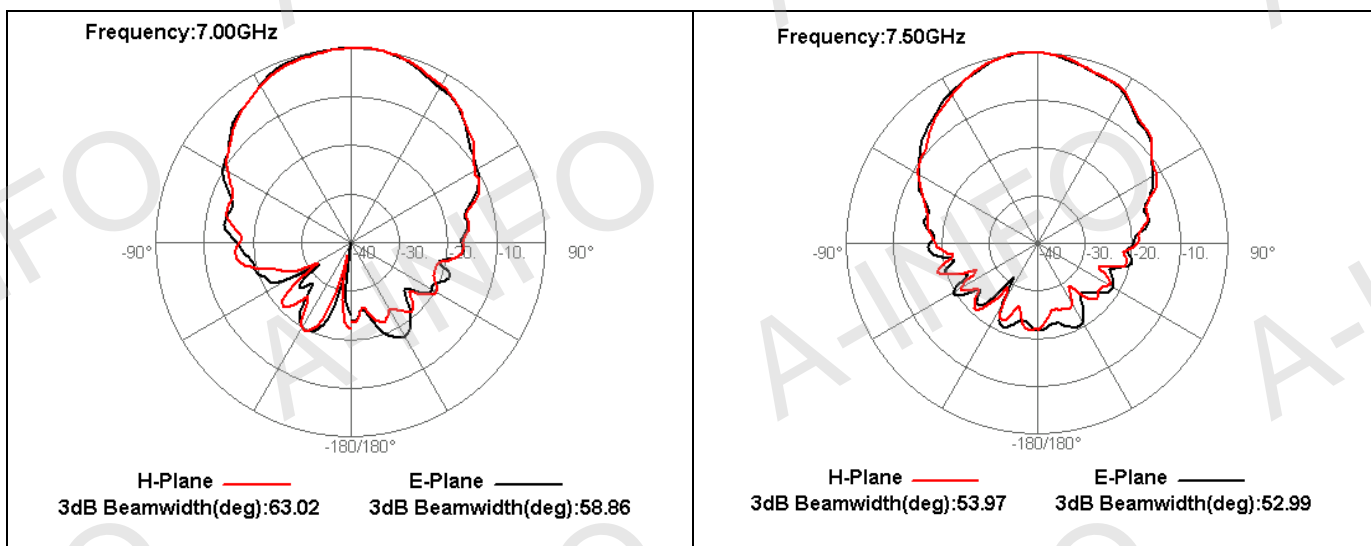
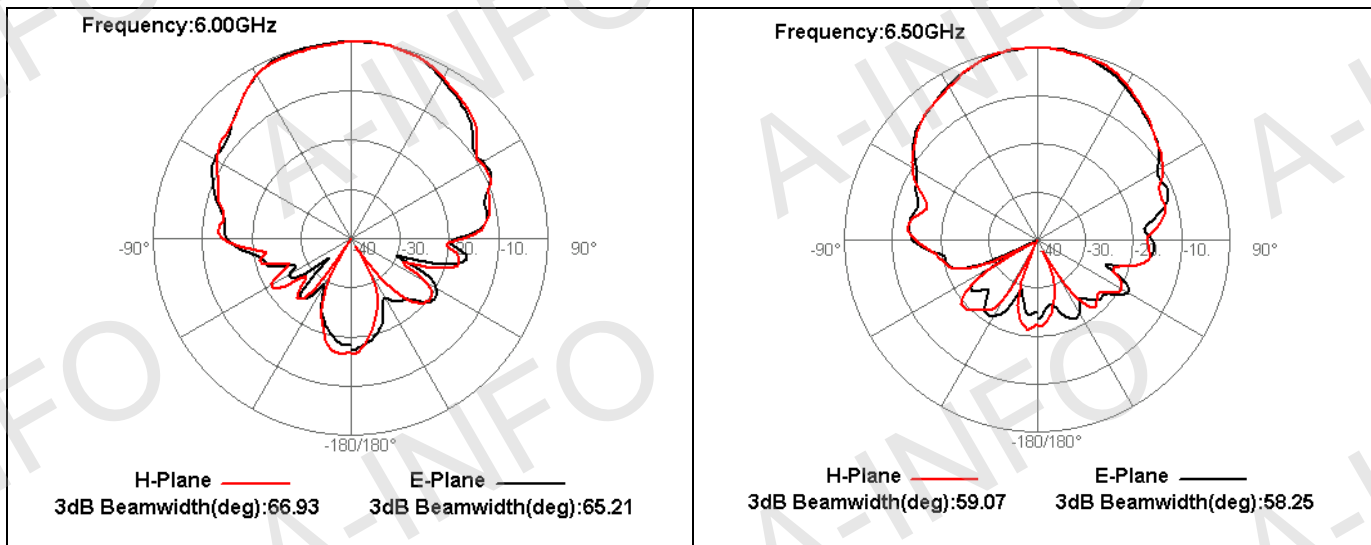
Tel: (+86) 10-6266-7326,
Tel: (+86) 28-8519-2786,
Tel: (+1) 949-639-9688,

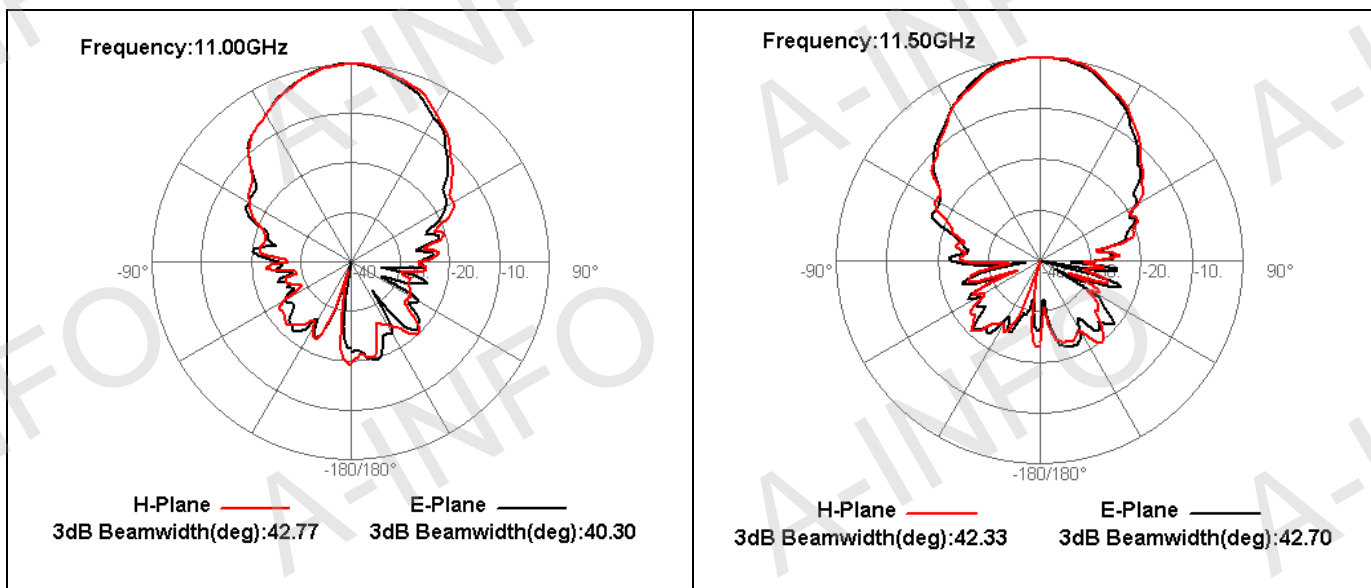
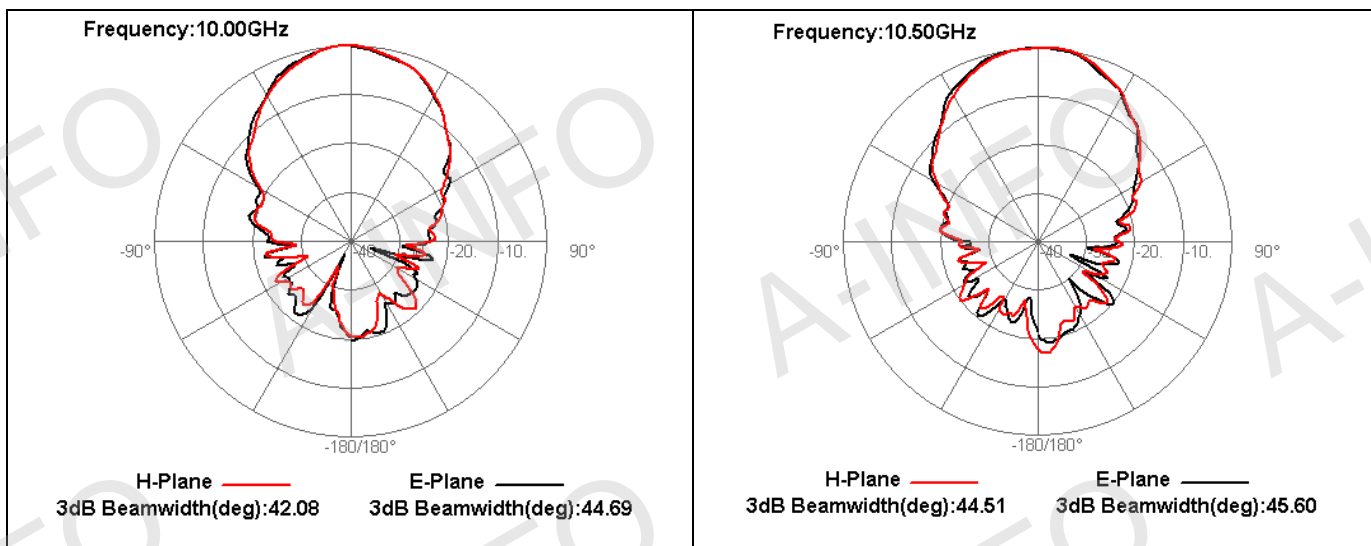
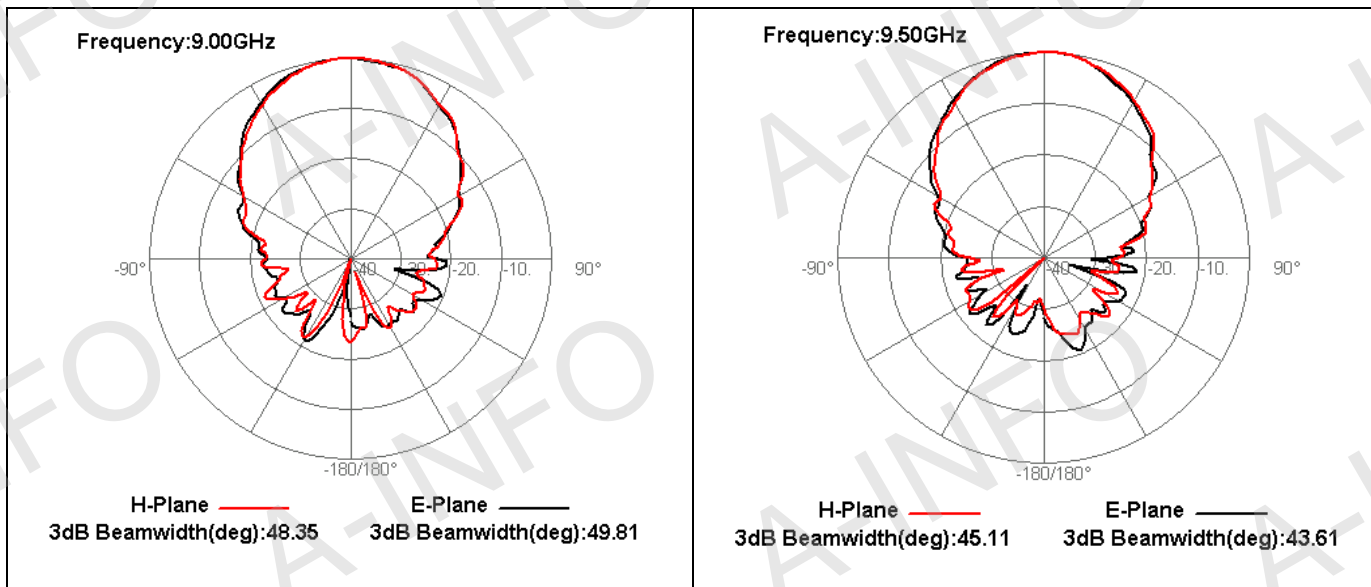
(+86) 10-6266-7327
(+86) 28-8519-3044
(+1) 949-639-9608

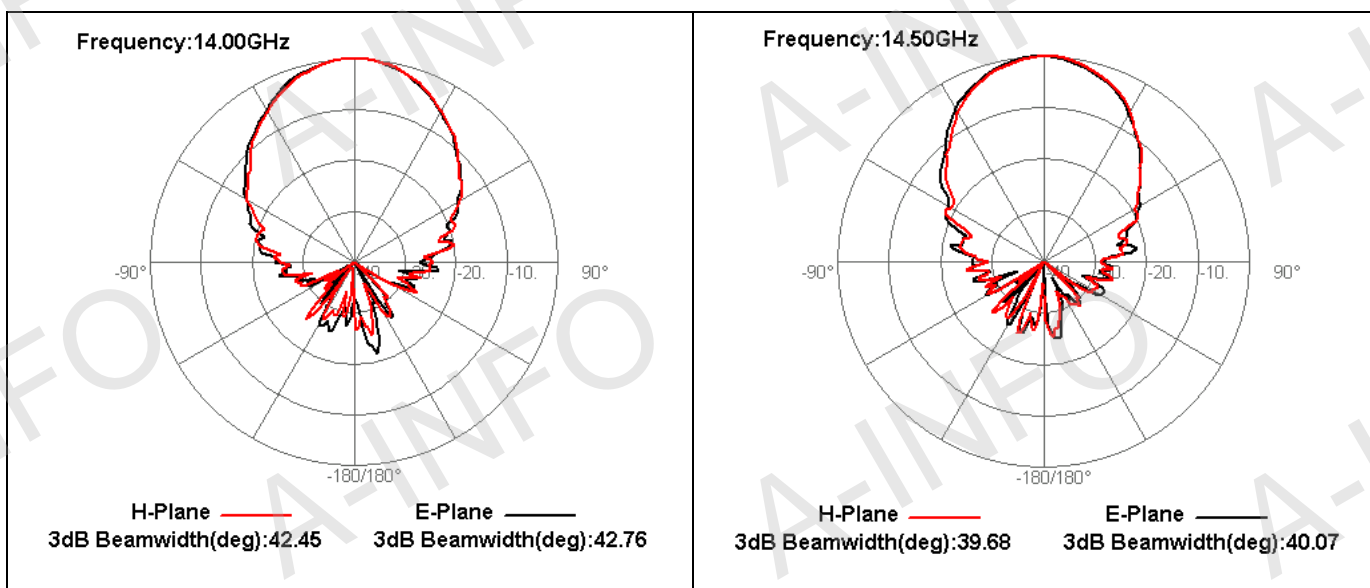
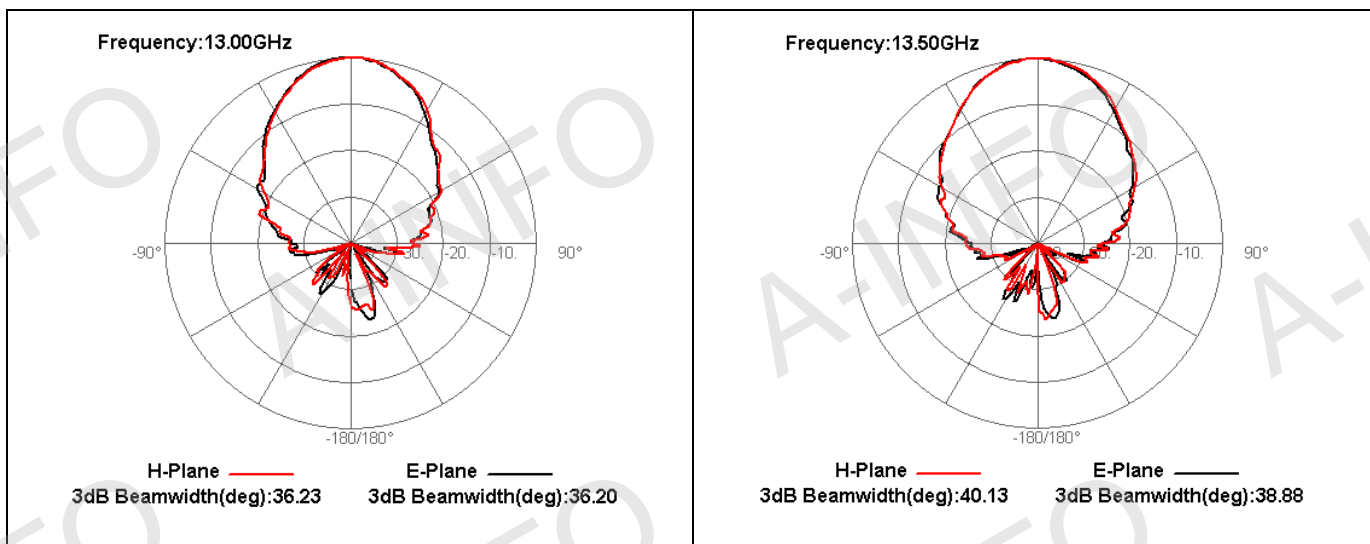
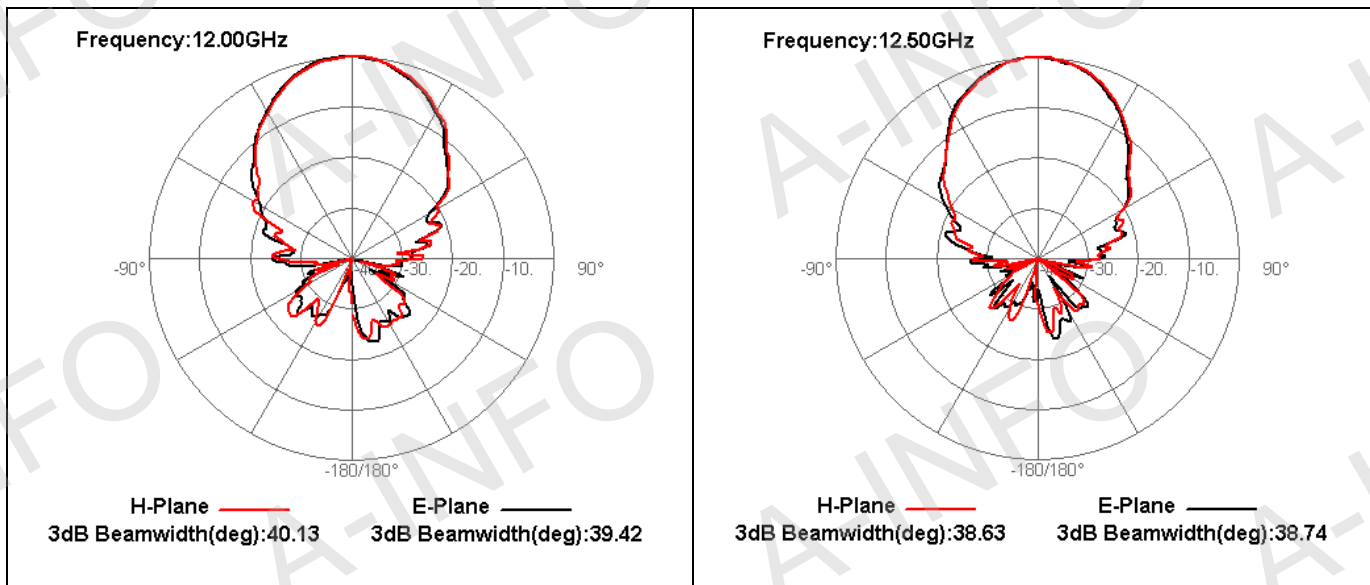
Fax: (+86) 10-6266-7379
Fax: (+86) 28-8519-3068
Fax: (+1) 949-639-9670

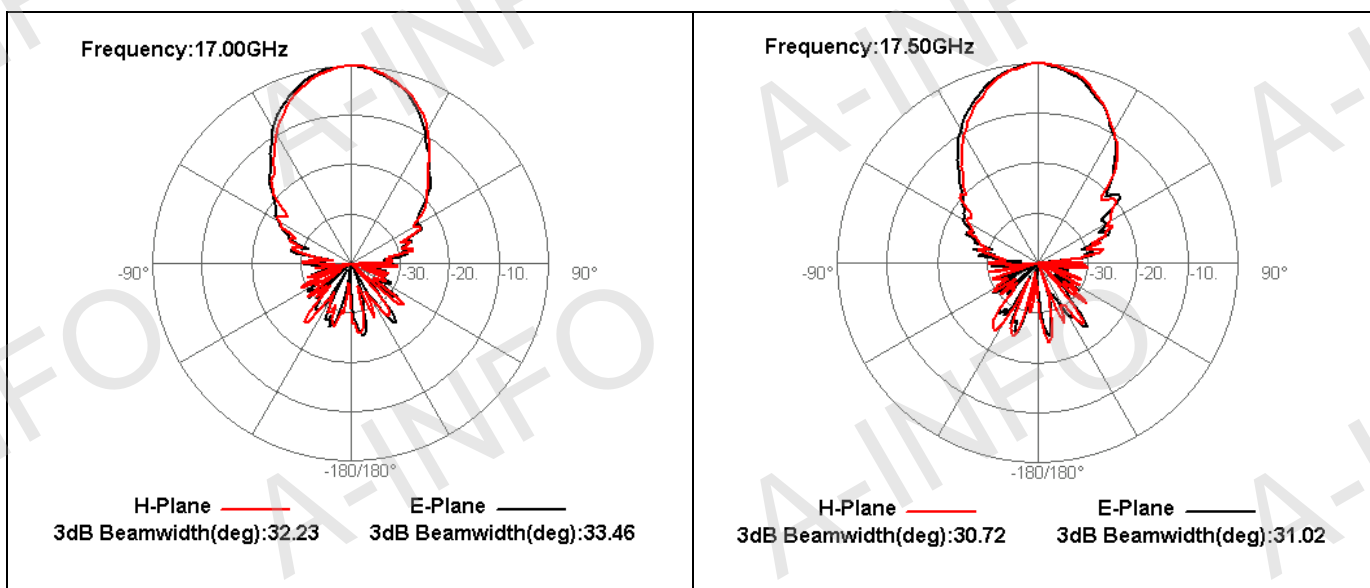
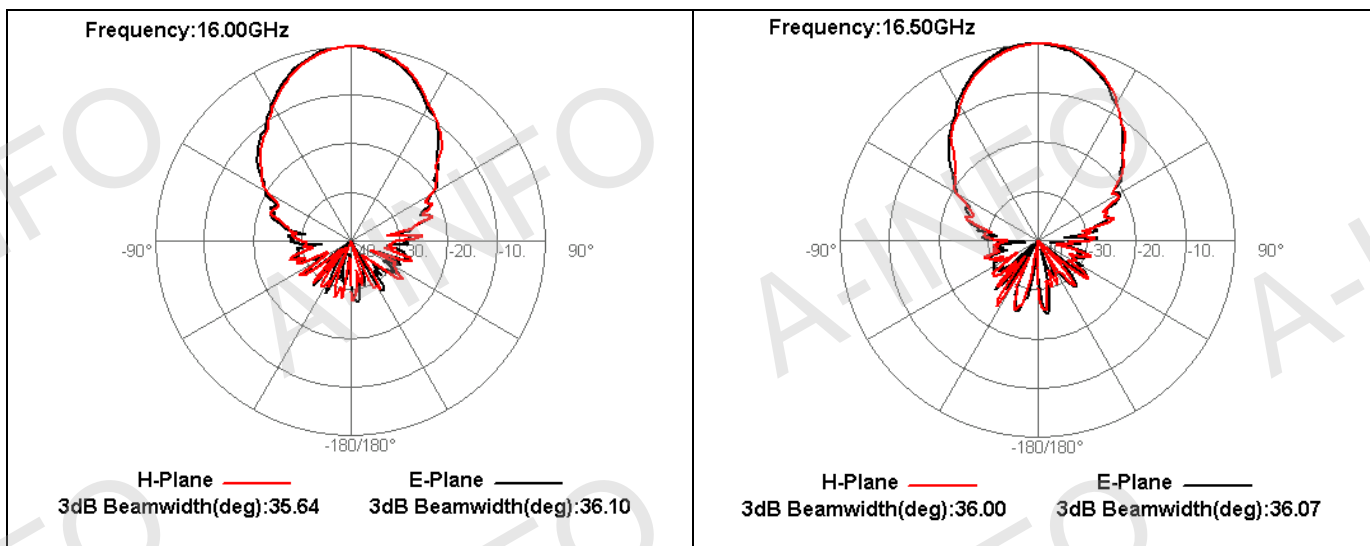
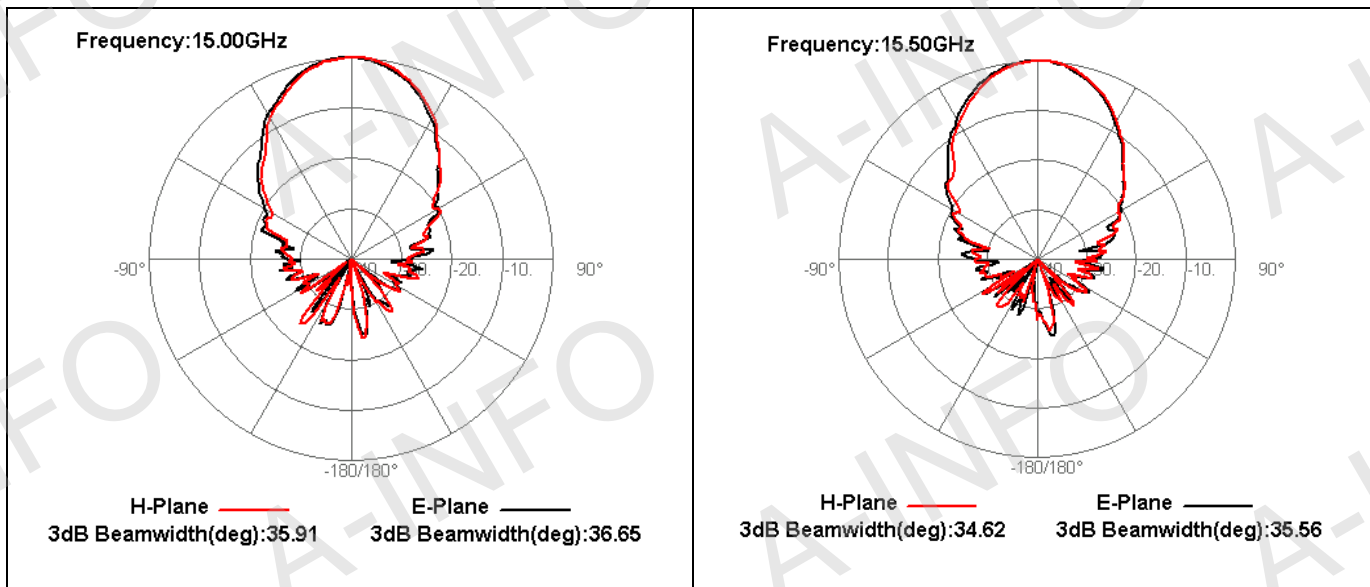
Website: www.ainfoinc.com
Email: sales@ainfoinc.com

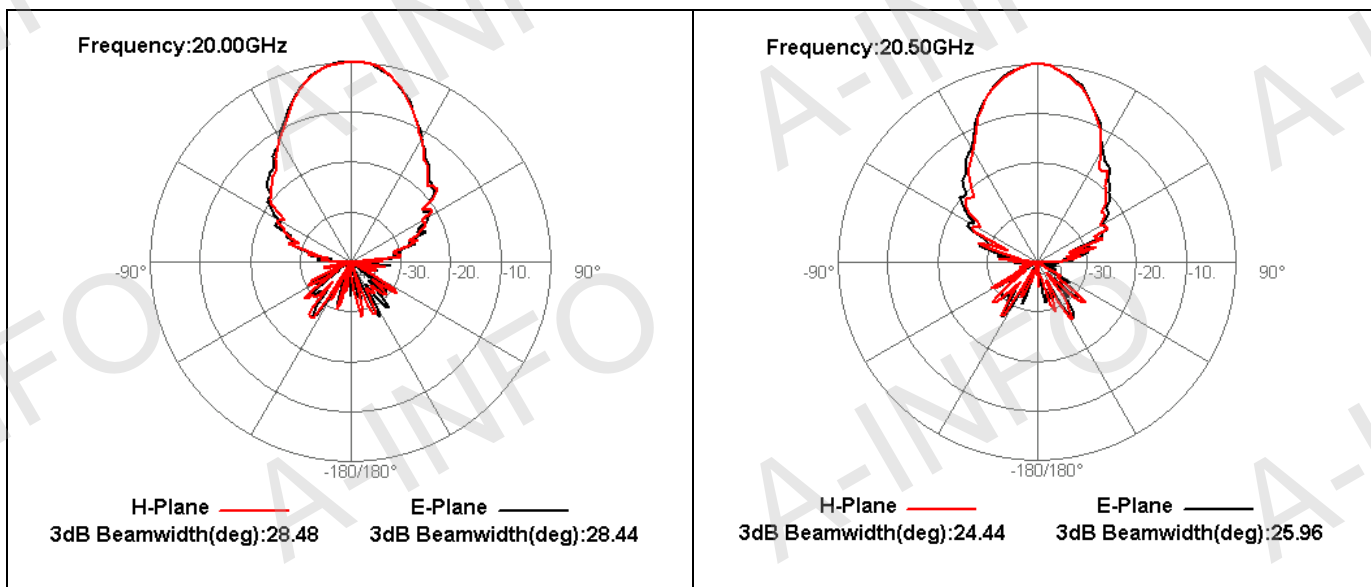
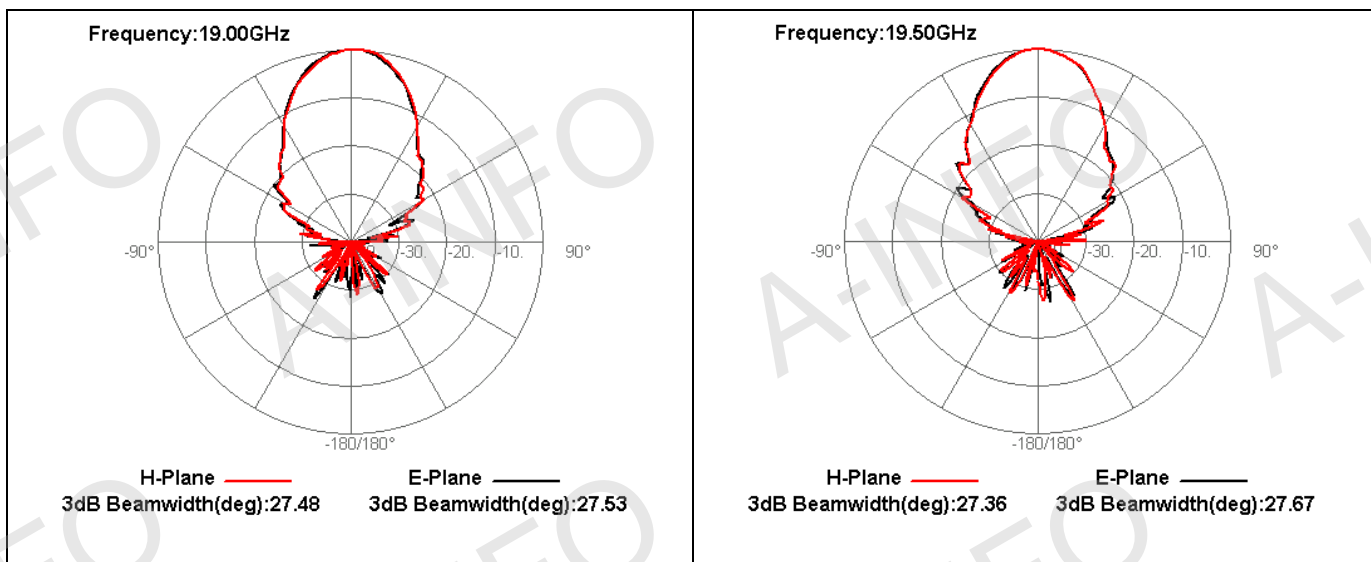
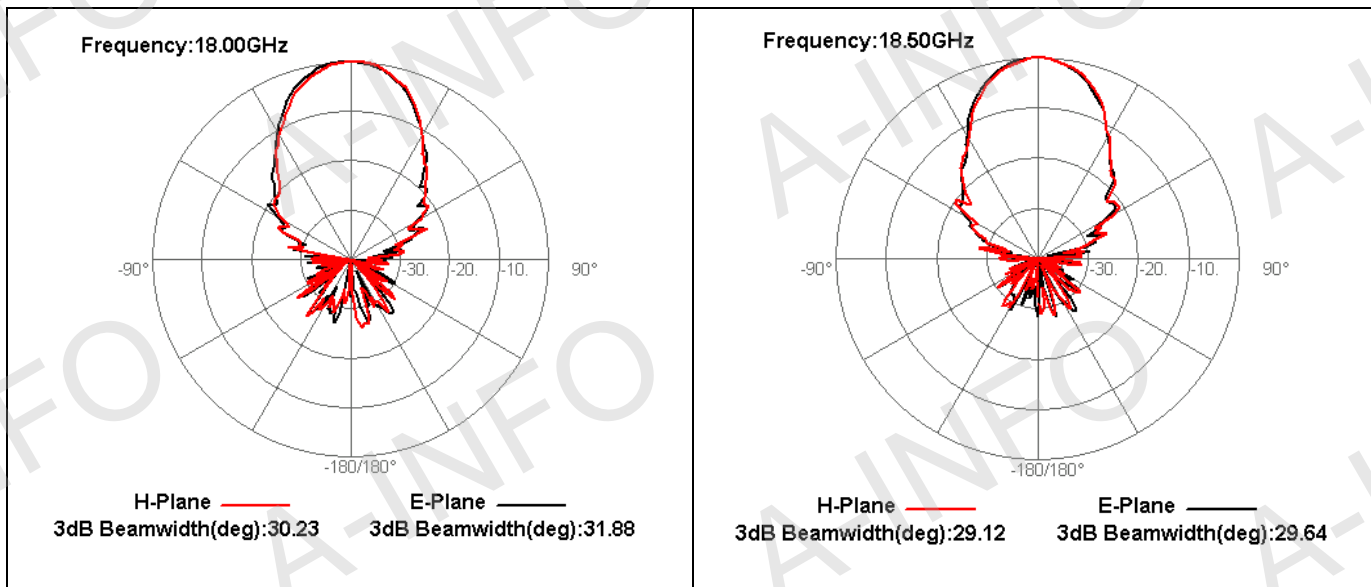
5. Pattern LHCP

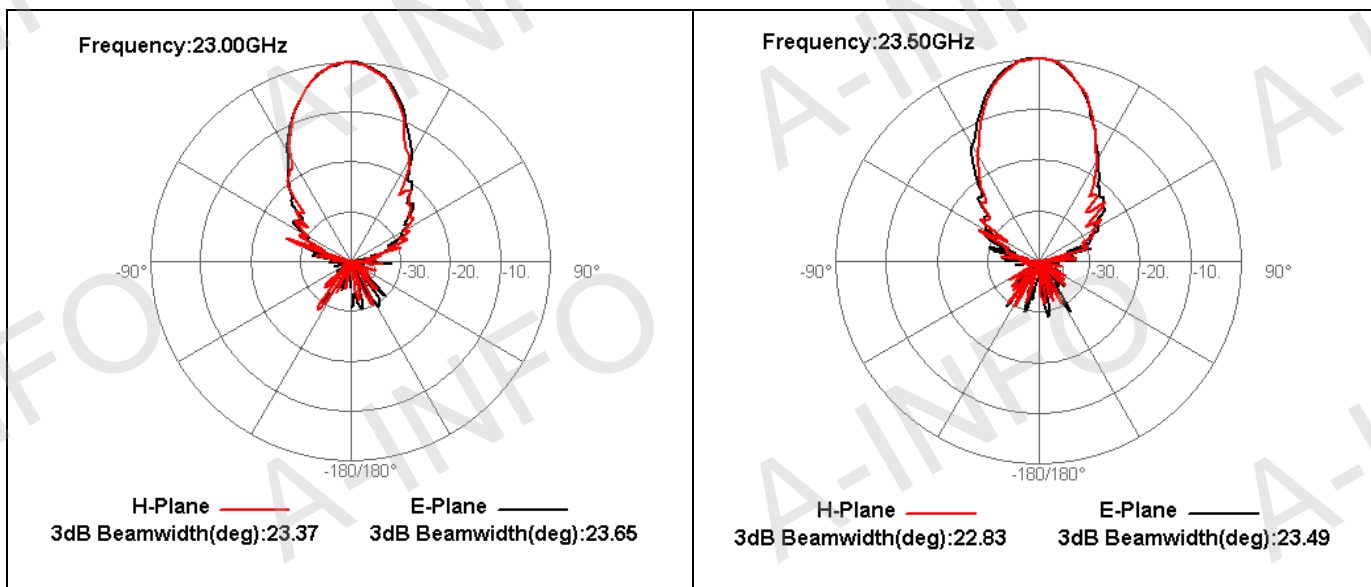
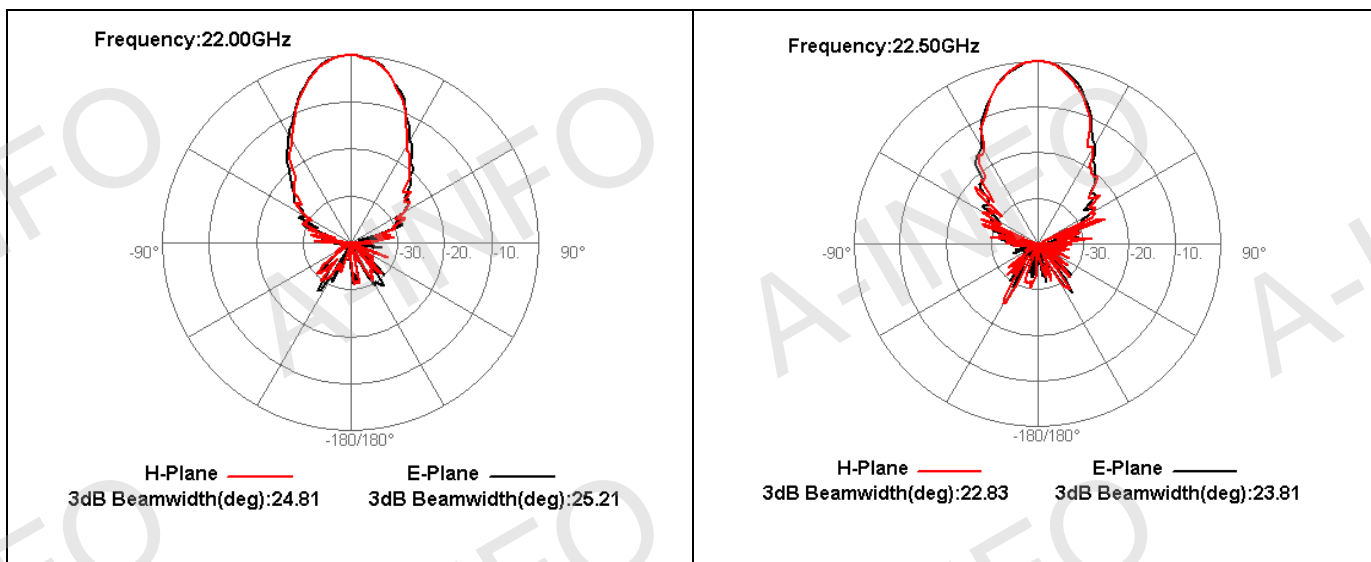
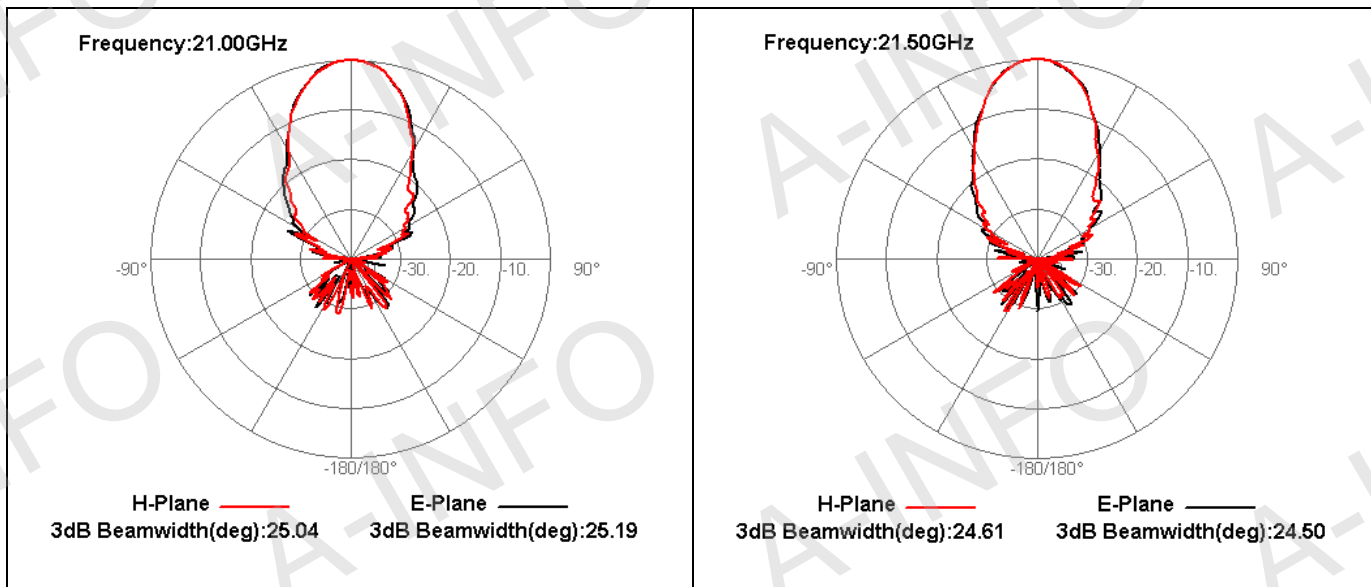


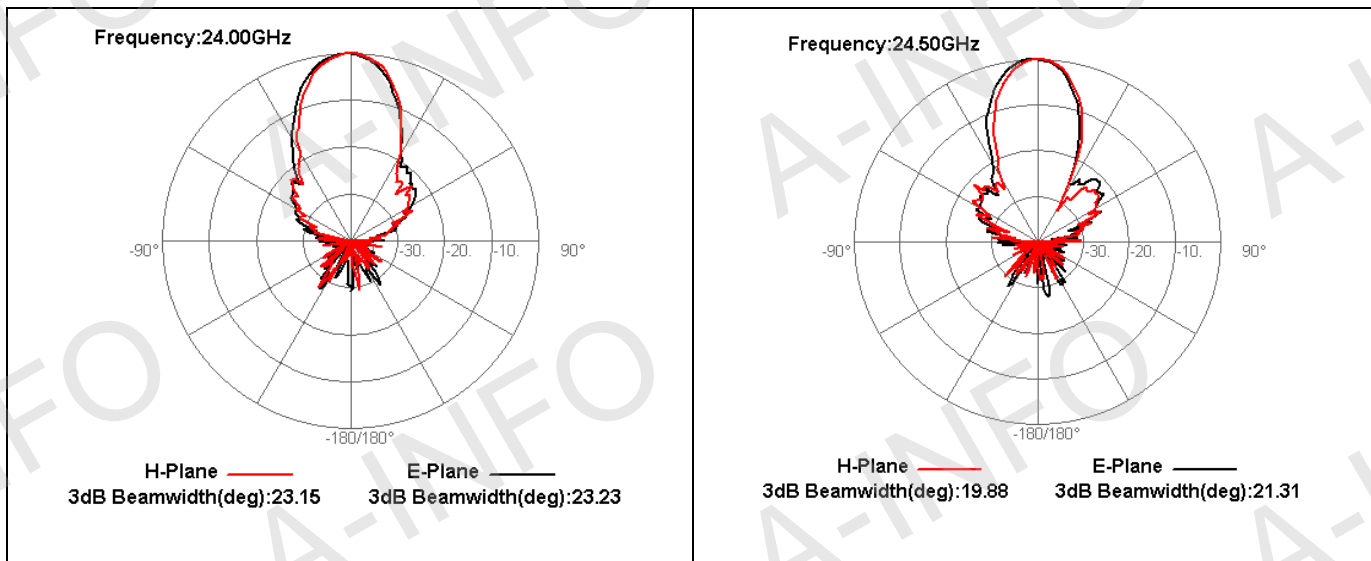












6. Pattern RHCP

