

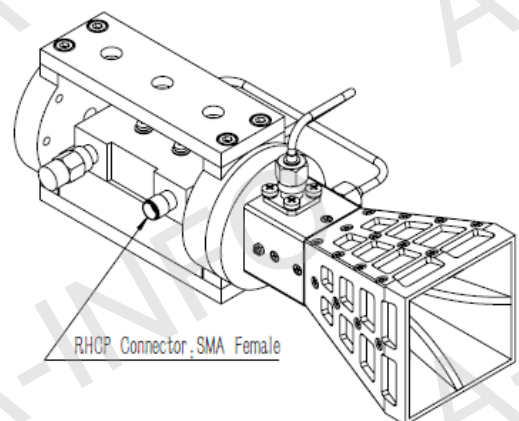
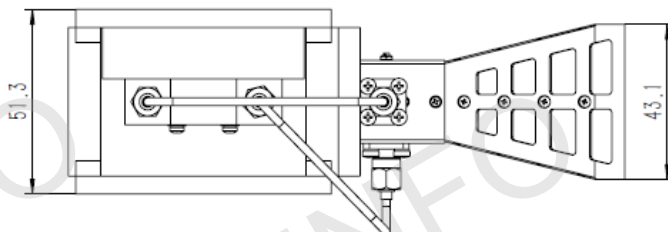
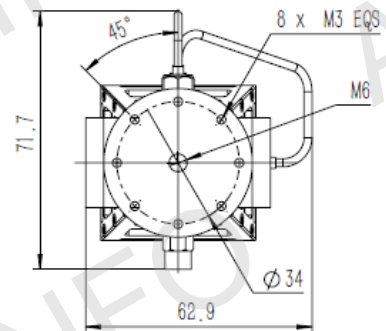
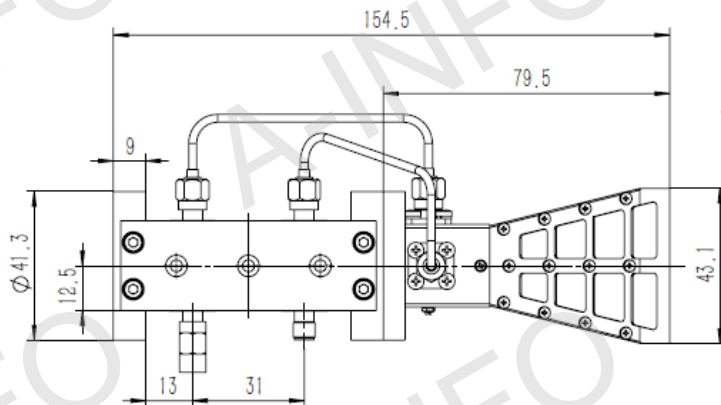
Technical Specification



Frequency Range(GHz)	6-24.5
Gain(dBi)	13 Typ.
Polarization	RHCP
Axial Ratio(dB)	3.0 Typ. 6.0 Max.
3dB Beamwidth(deg)	70-15
VSWR	2.0 Max.
Output	SMA-Female
Power Handling(W)	20 Max. CW
Material	Al
Size(mm)	62.9 x 71.7 x 154.50
Net Weight(Kg)	0.34 Around

Outline Drawing (Size: mm)

SMA Female Output



AINFO Inc.

Page 1 of 11

China(Beijing):
China(Chengdu):
USA :

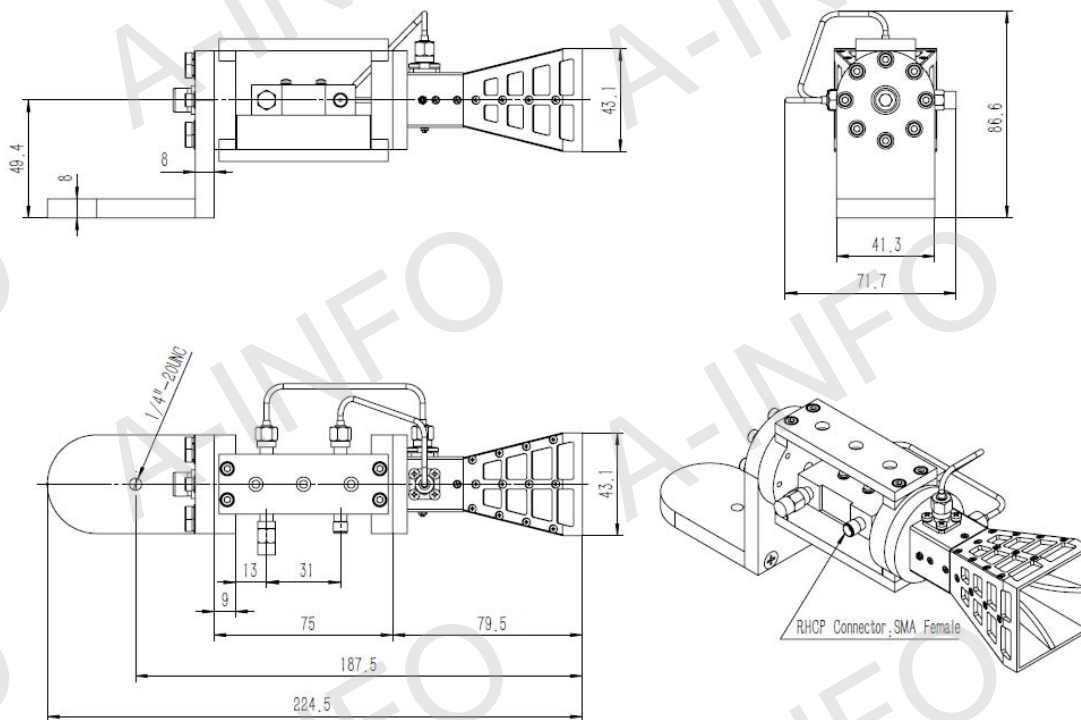
Tel: (+86) 10-6266-7326,
Tel: (+86) 28-8519-2786,
Tel: (+1) 949-639-9688,

(+86) 10-6266-7327
(+86) 28-8519-3044
(+1) 949-639-9608

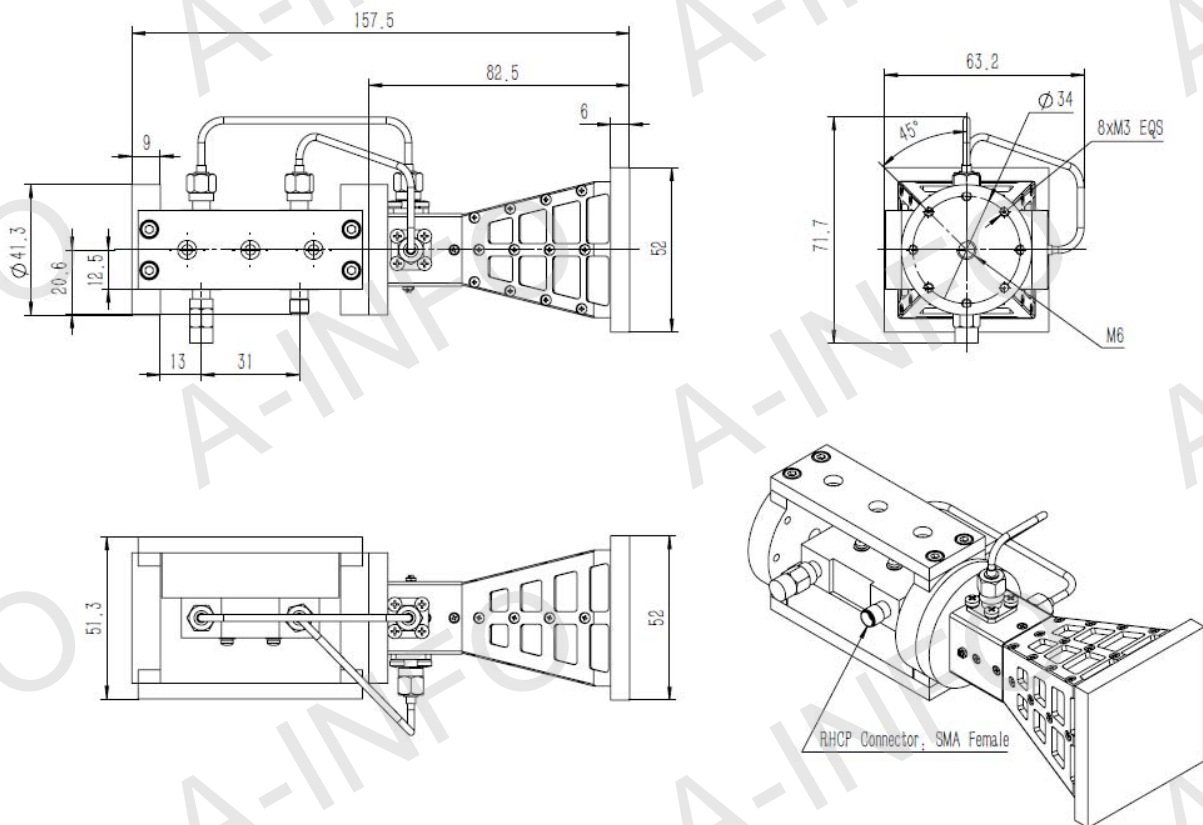
Fax: (+86) 10-6266-7379
Fax: (+86) 28-8519-3068
Fax: (+1) 949-639-9670

Website: www.ainfoinc.com
Email: sales@ainfoinc.com

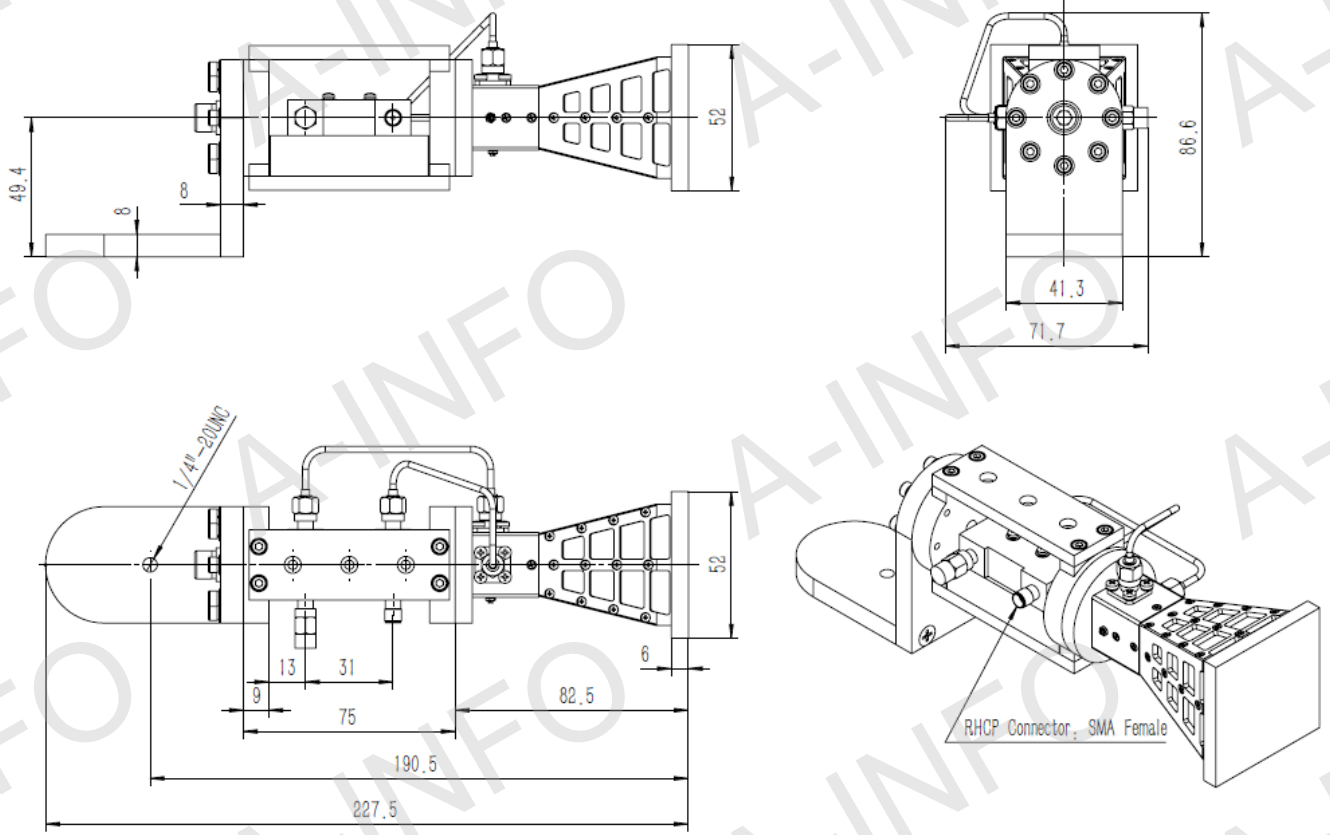
SMA Female Output with L type mounting bracket



SMA Female Output with Radome

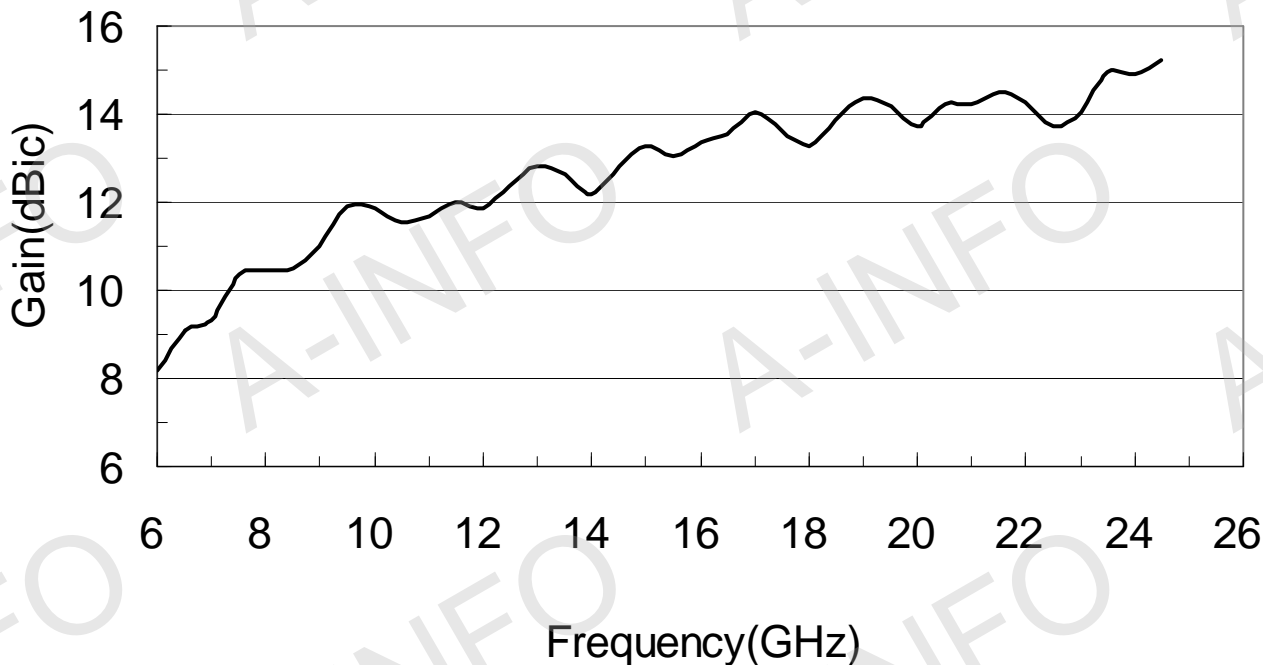


SMA Female Output with Radome & L type mounting bracket

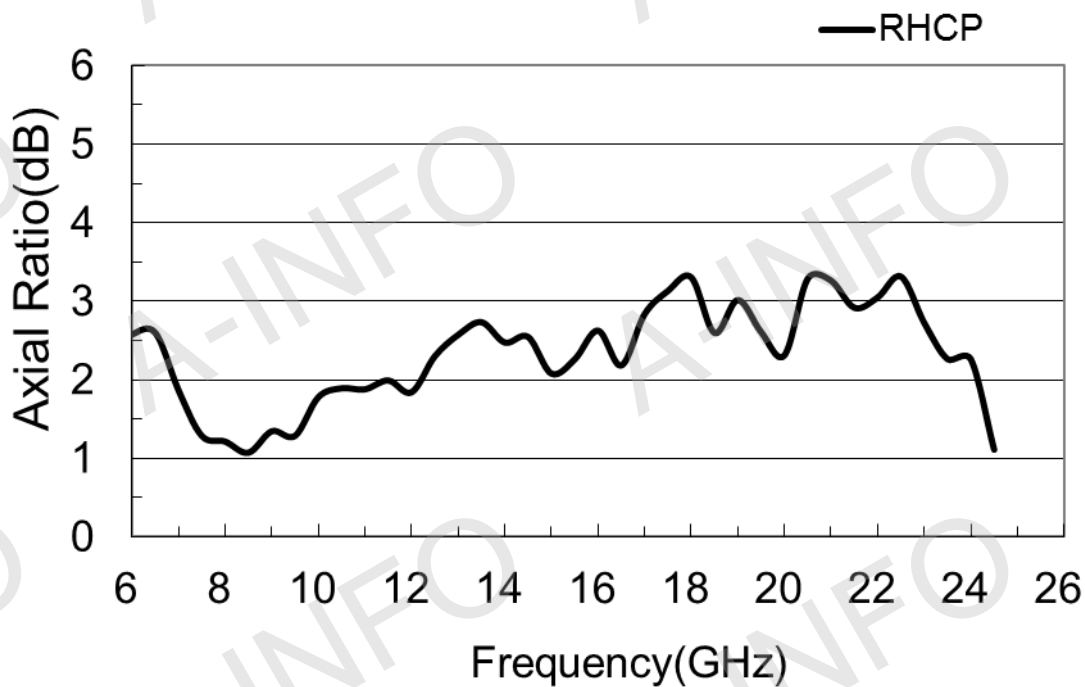


Test Results

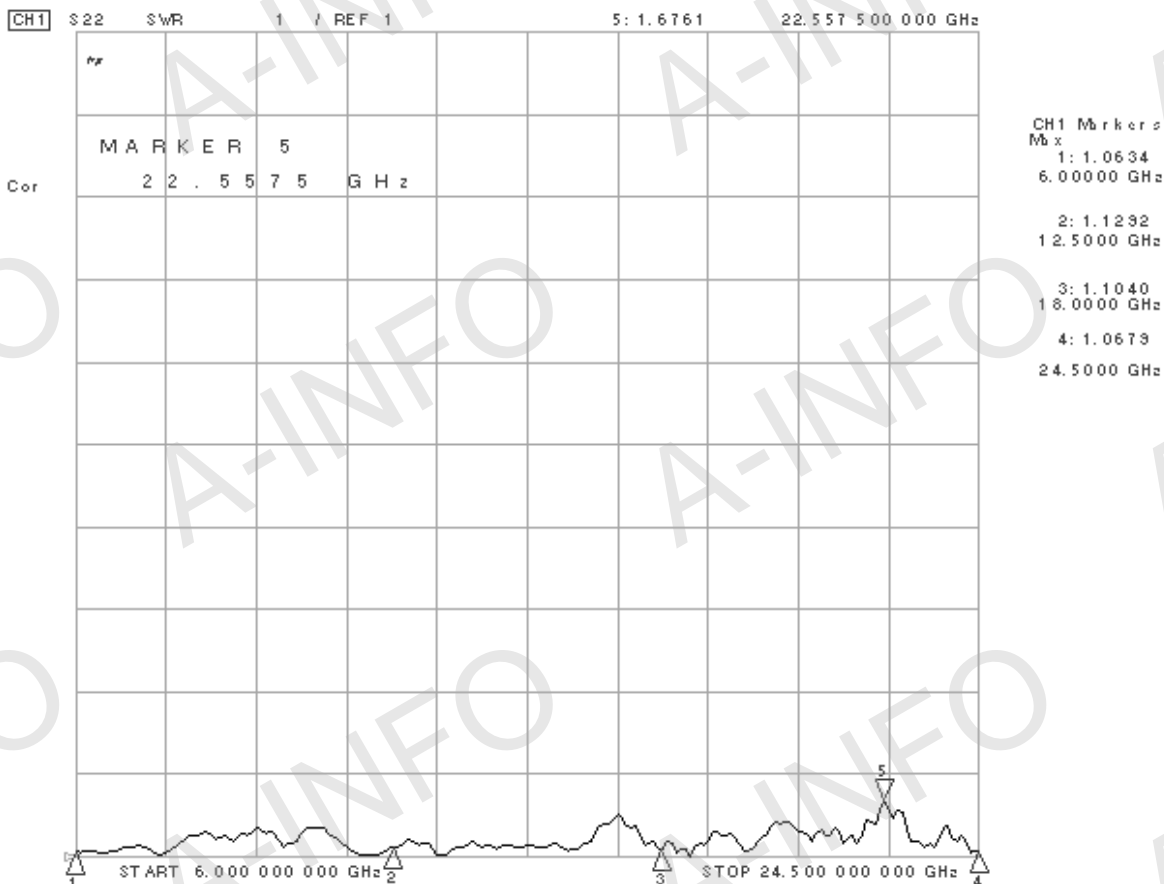
1. Gain



2. Axial Ratio



3. VSWR



4. Pattern

