

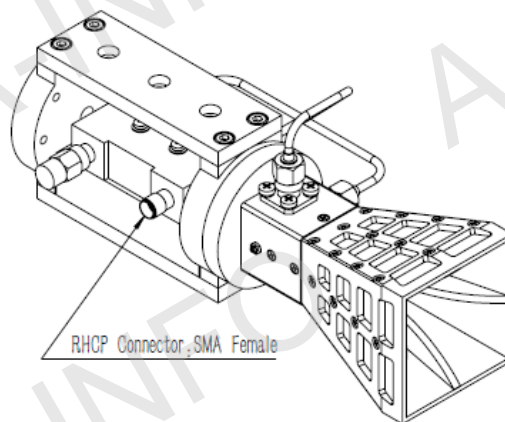
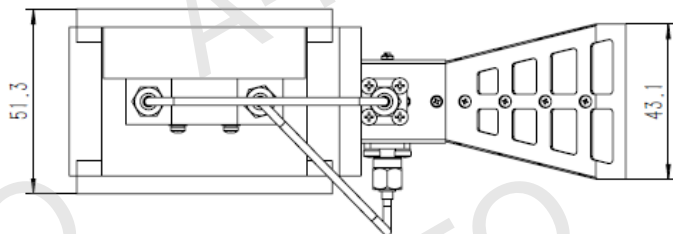
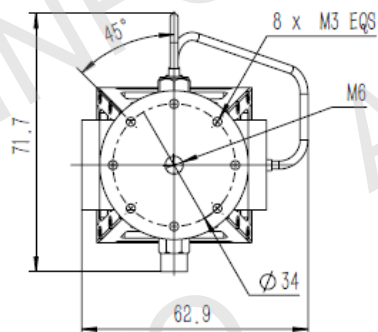
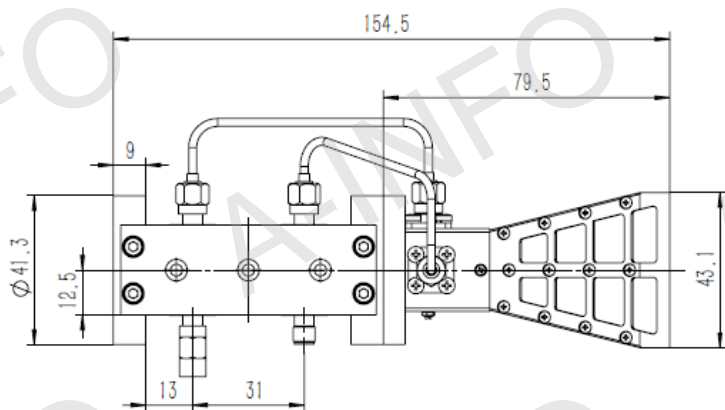
Technical Specification



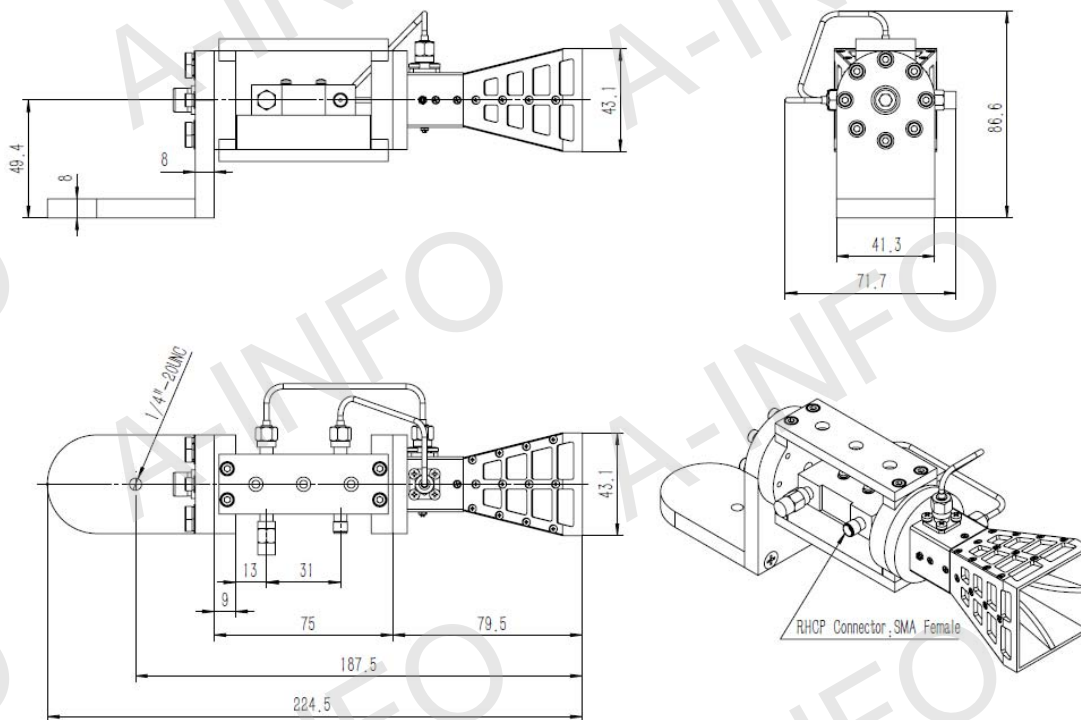
Frequency Range(GHz)	6-18
Gain(dBi)	12 Typ.
Polarization	RHCP
Axial Ratio(dB)	2.0 Typ.
	4.0 Max
3dB Beamwidth(deg)	75-29
VSWR	2.0:1 Max.
Output	SMA-Female
Power Handling(W)	20 Max. CW
Material	Al
Size(mm)	62.9 x 71.7 x 154.50
Net Weight(Kg)	0.34 Around

Outline Drawing (Size: mm)

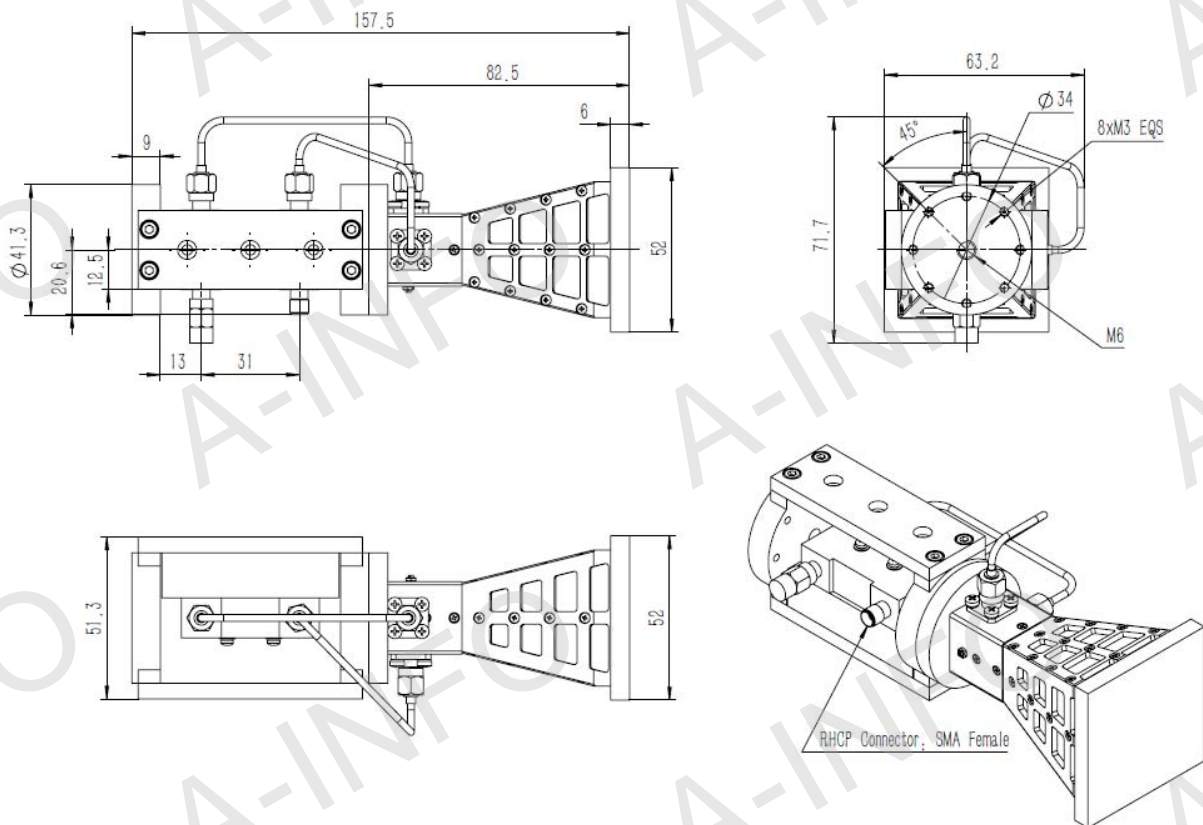
SMA Female Output



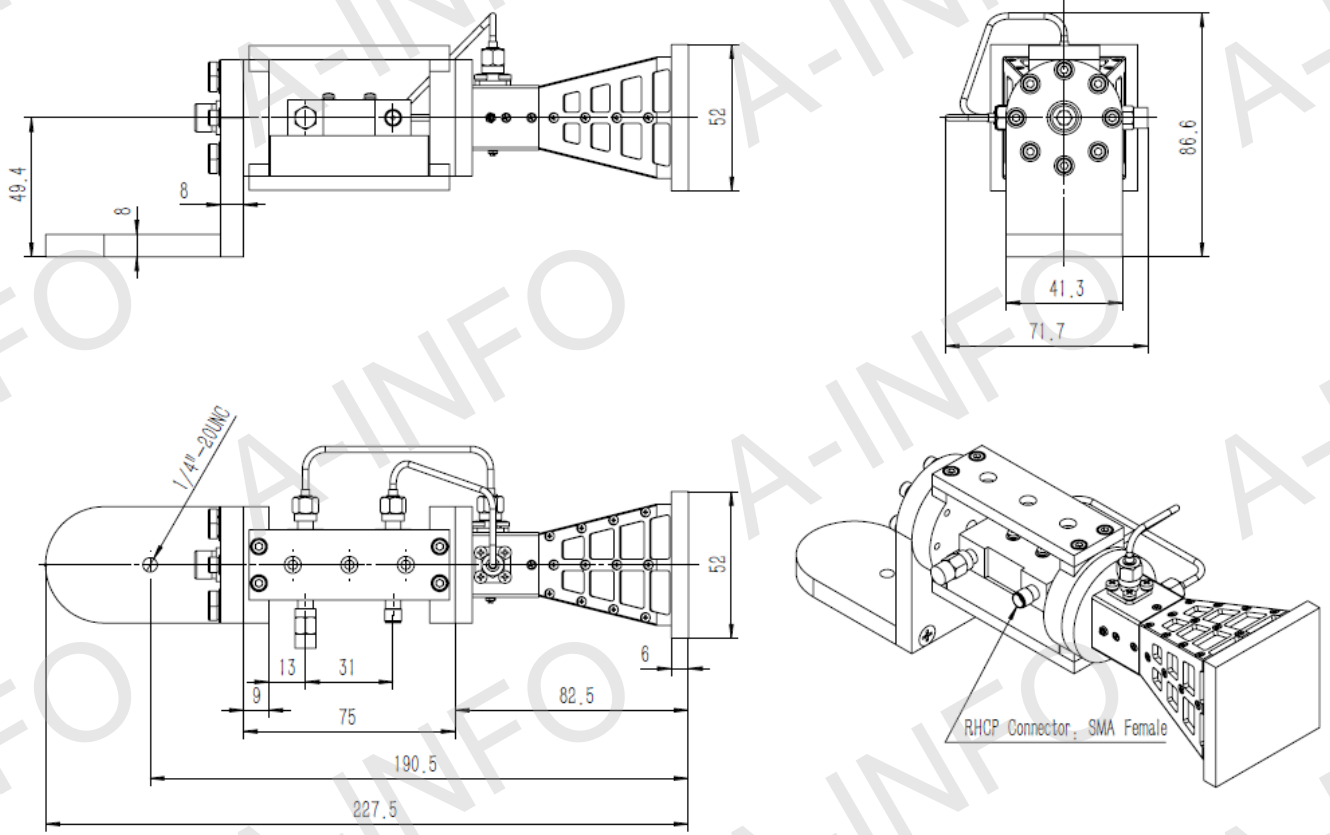
SMA Female Output with L type mounting bracket



SMA Female Output with Radome

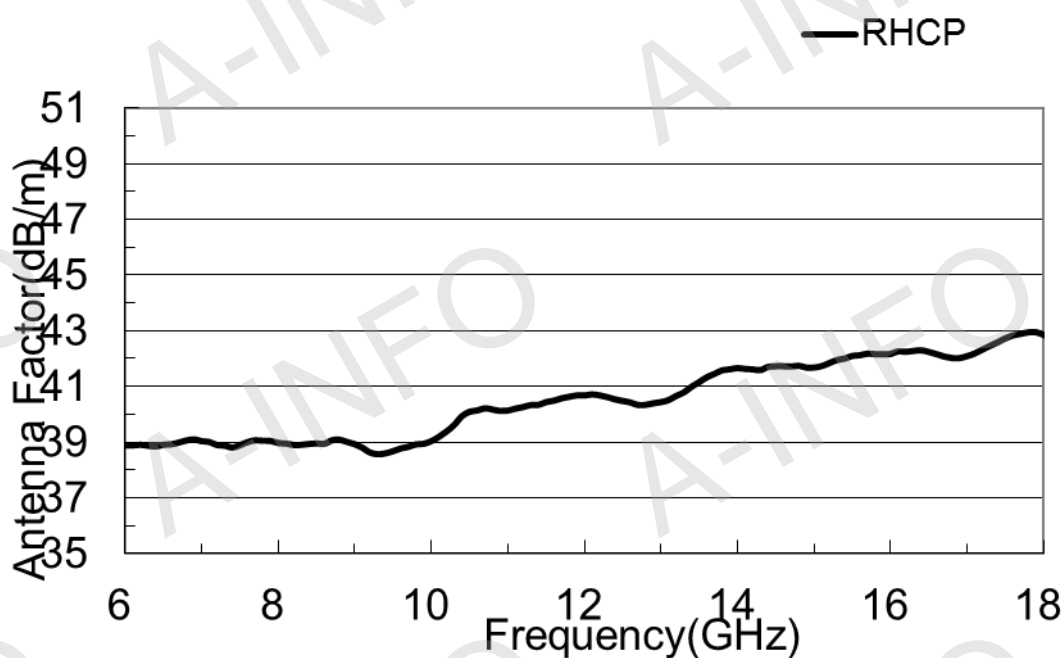
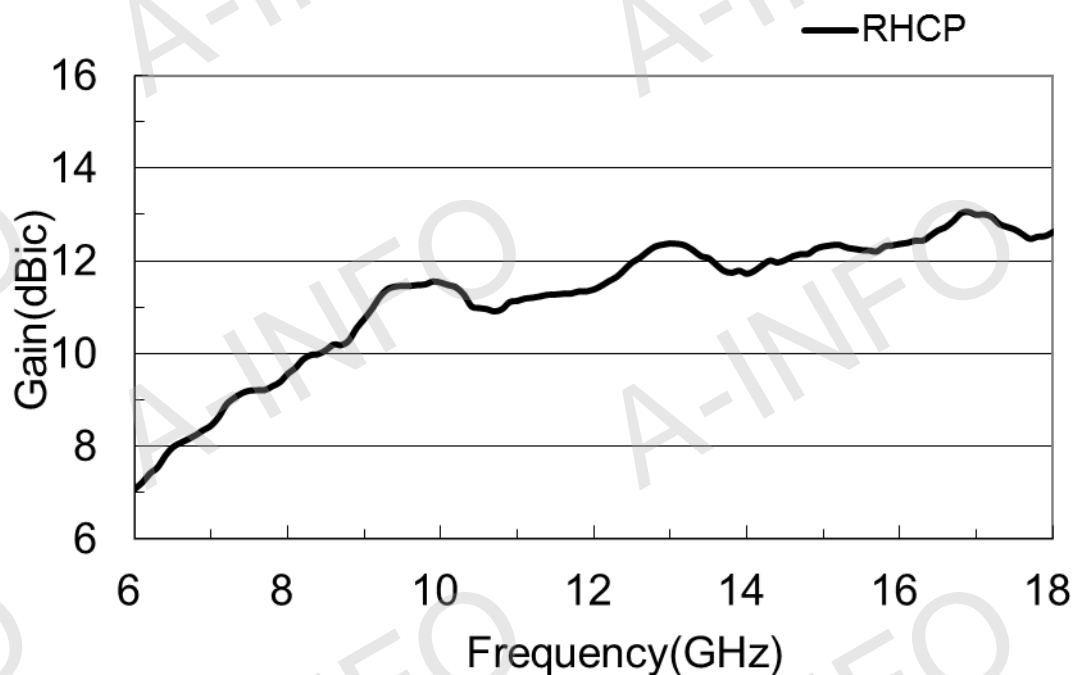


SMA Female Output with Radome & L type mounting bracket

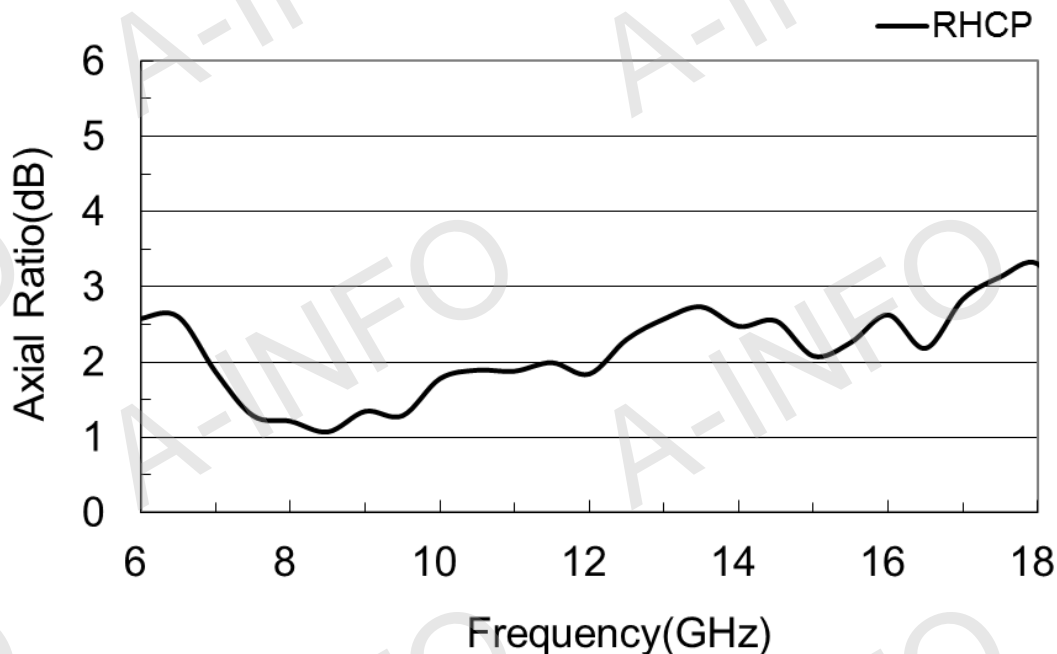


Test Results

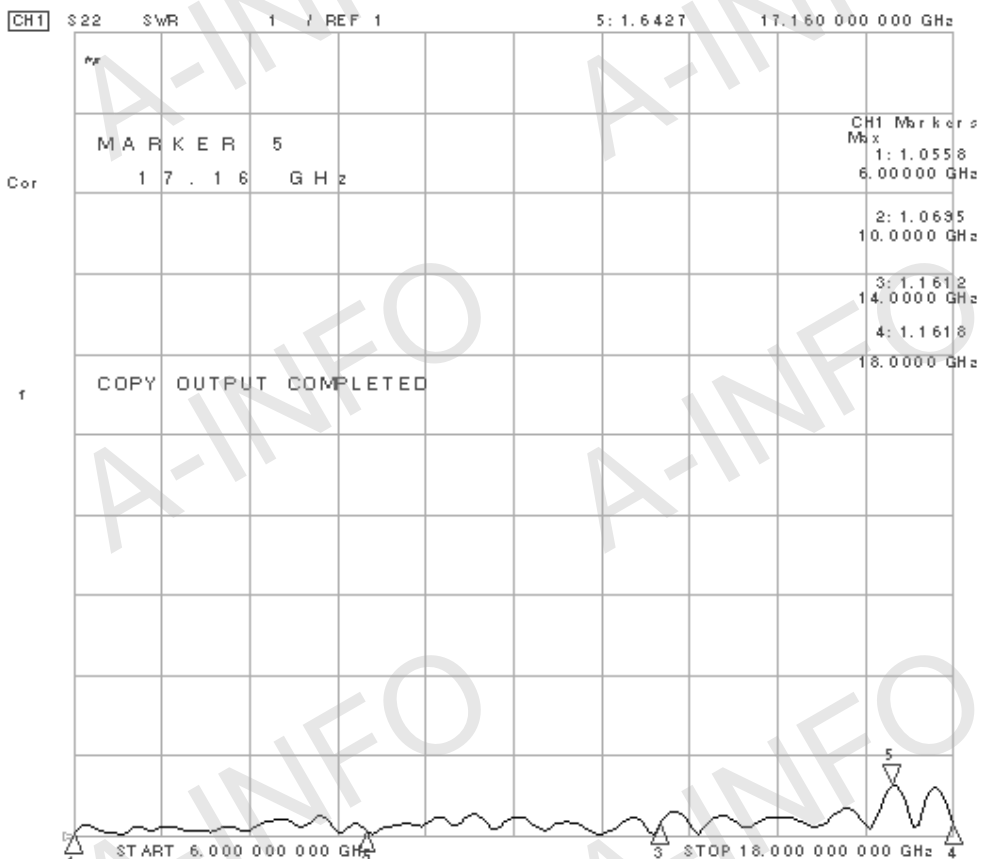
1. Gain & Antenna Factor



2. Axial Ratio



3. VSWR



4. Pattern

