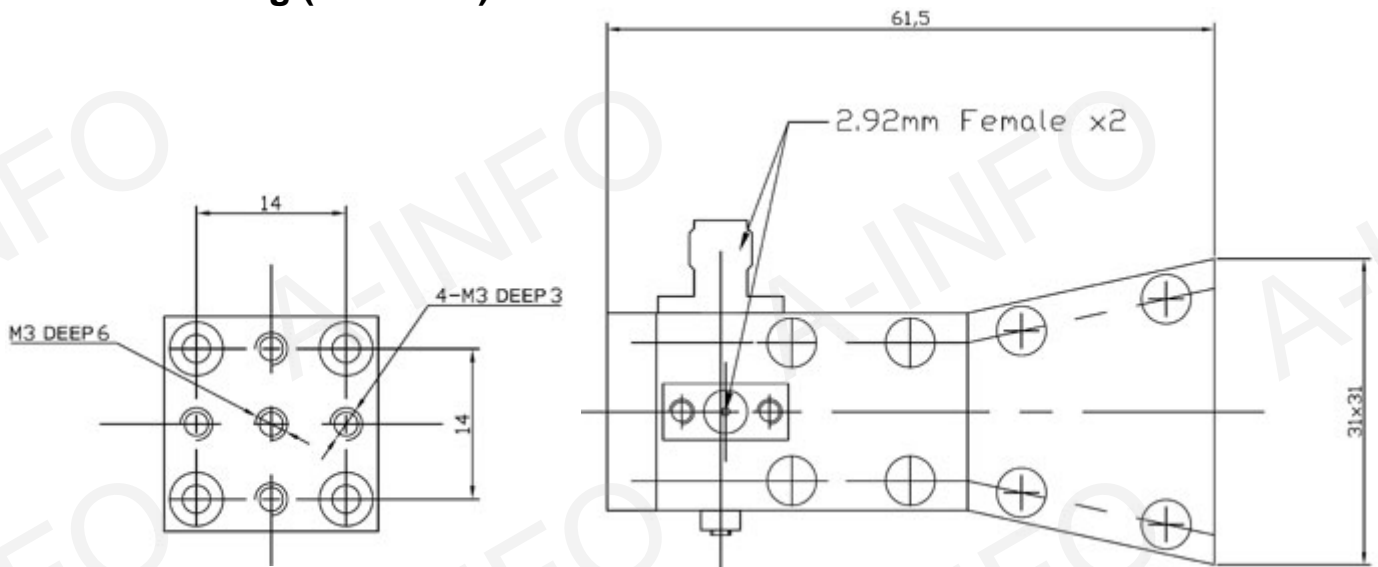


Technical Specification



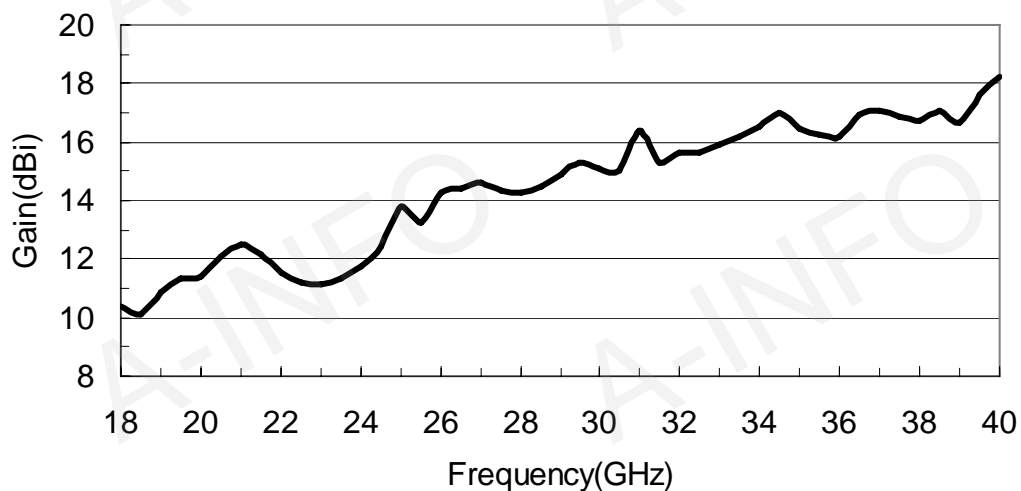
Frequency Range(GHz)	18 - 40
Gain(dBi)	15 Typ.
Polarization	Dual Pol.
VSWR	1.5 :1 Typ.
3dB Beamwidth(deg)	60-20
Port to Port Isolation(dB)	20 min
Pol Isolation(dB)	20 min
Power Handling(W)	10 CW
Connector	2.92mm-Female
Size(mm)	31 x 31 x 61.5
Net Weight(Kg)	0.25 Around

Outline Drawing (Size: mm)

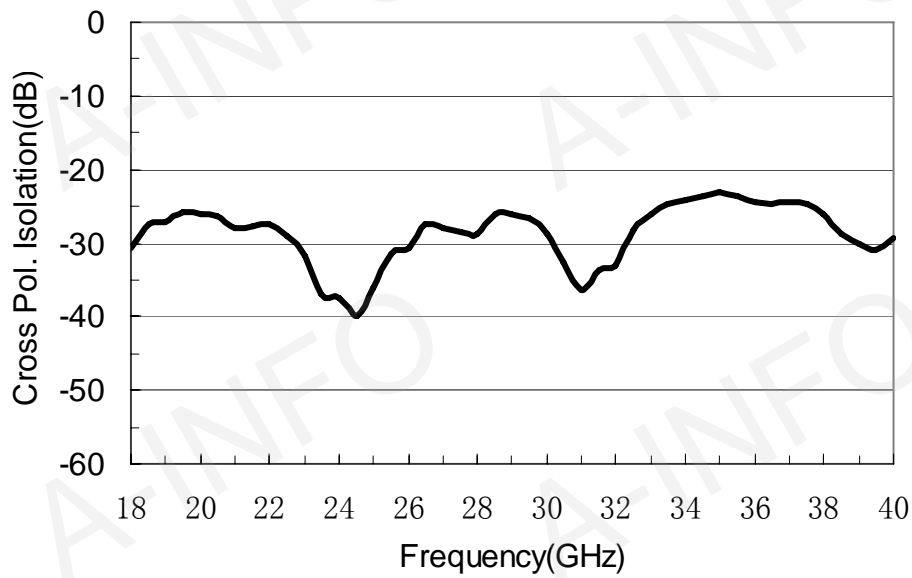


Test Results

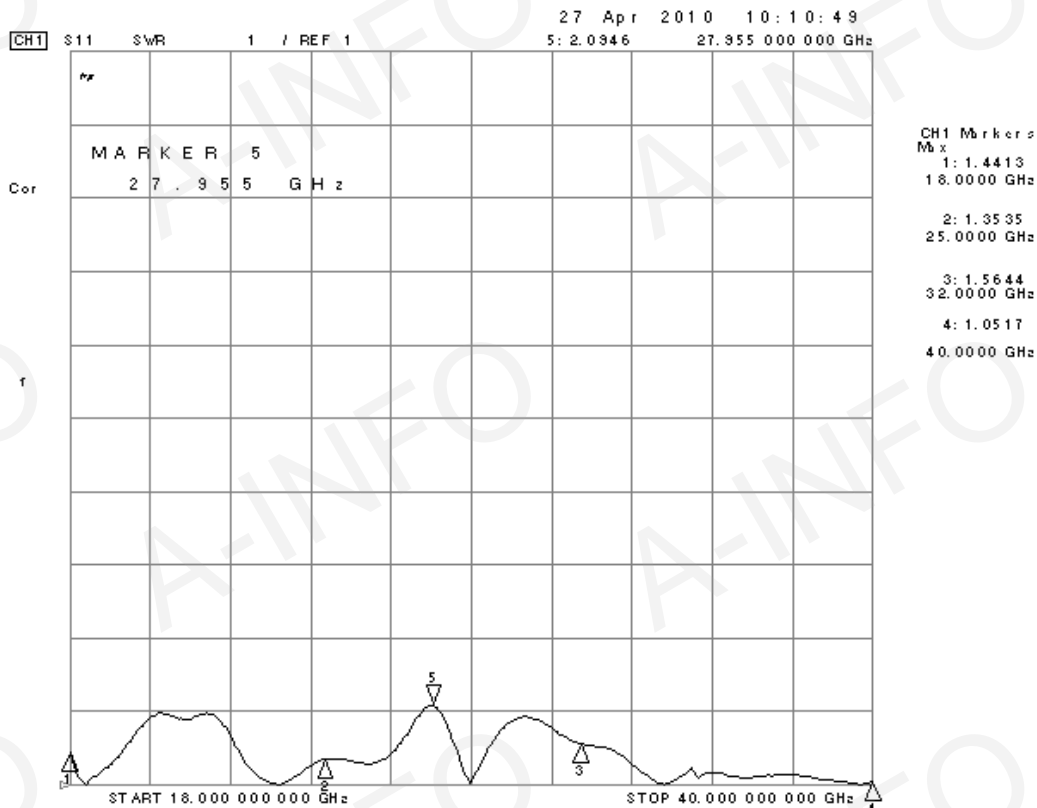
1. Gain



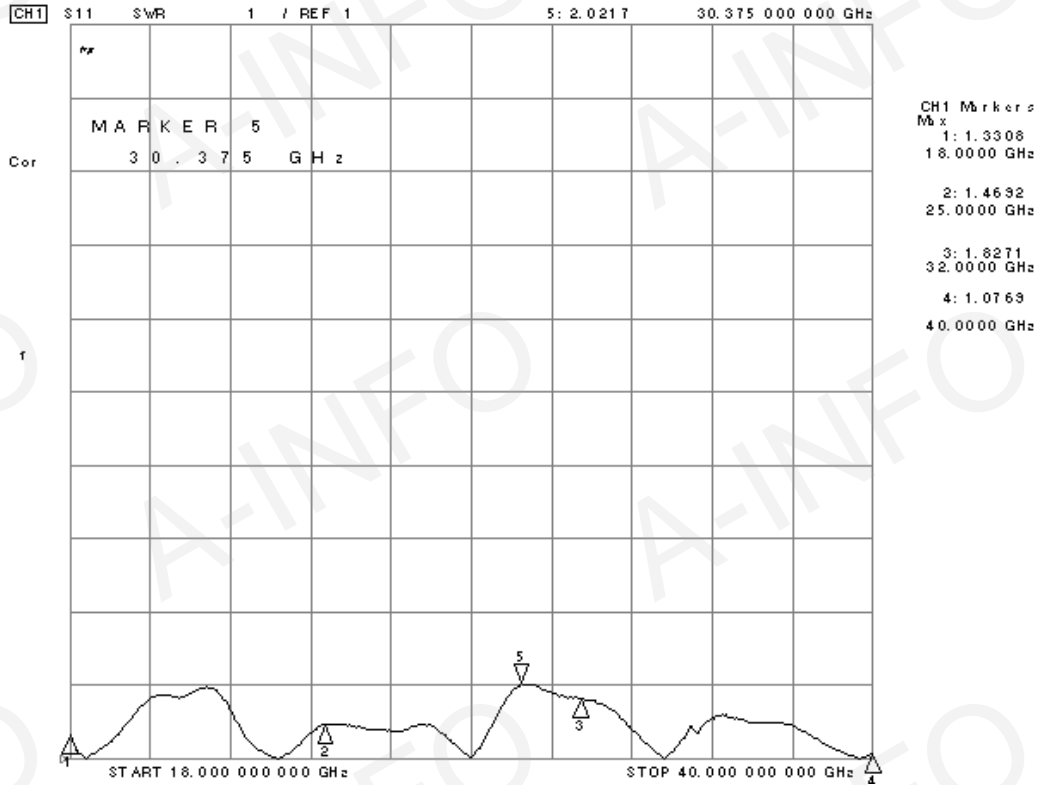
2. Cross Polarization Isolation



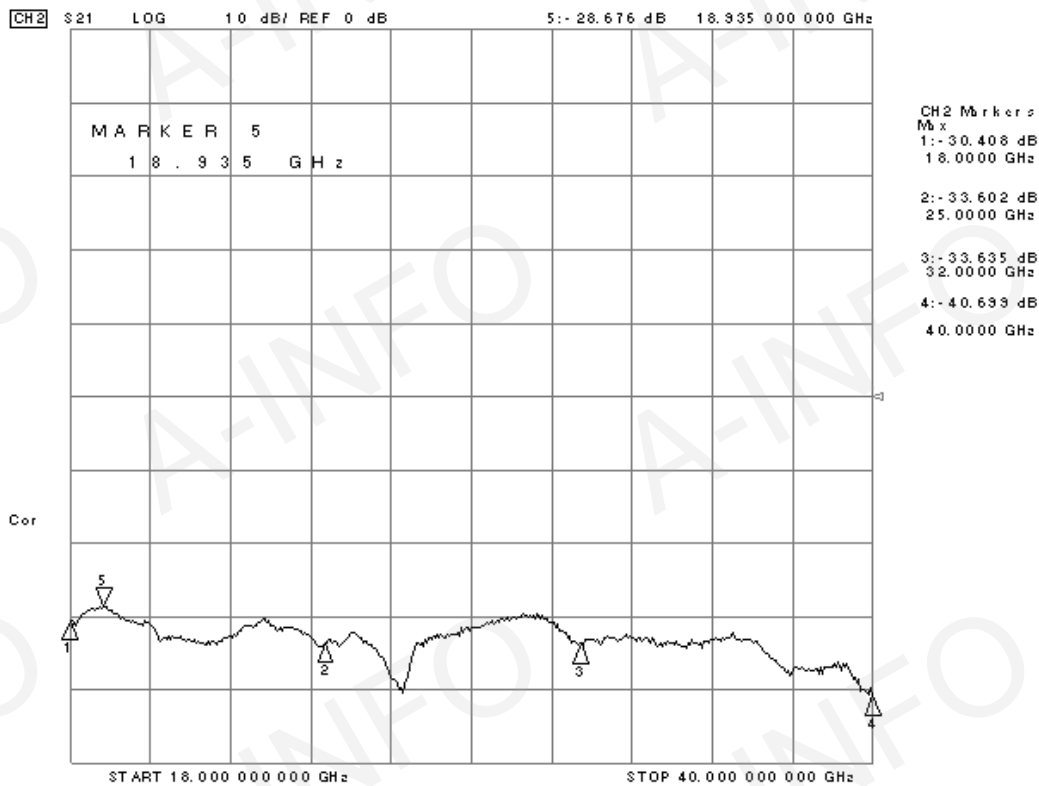
3. VSWR Port-V



Port-H



4. Port to Port Isolation



5. Pattern

