

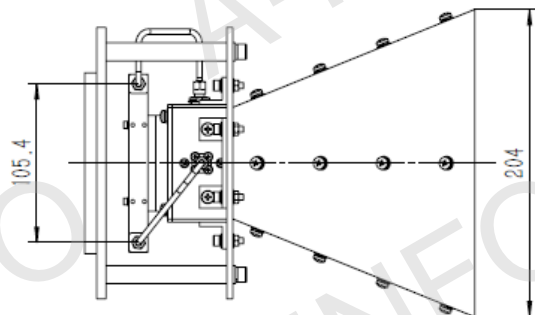
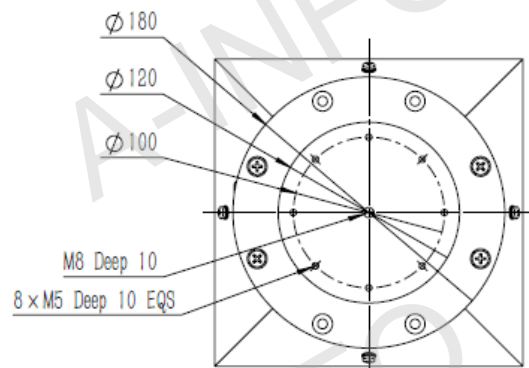
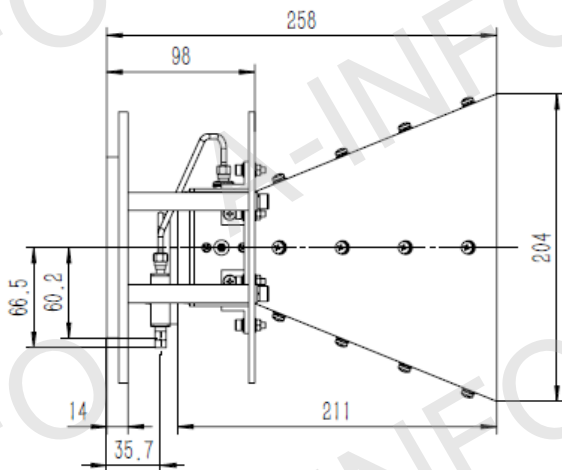
Technical Specification



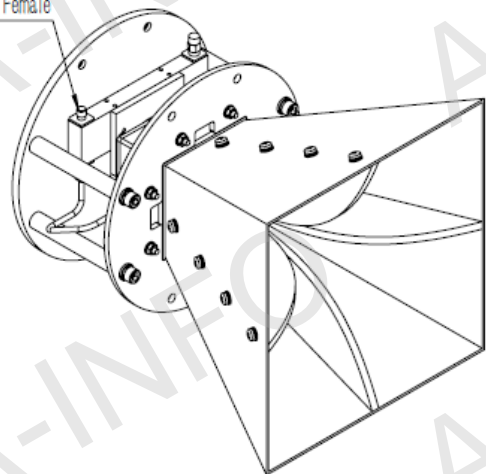
Frequency Range(GHz)	1.0-10.0
Gain(dB)	11 Typ.
Polarization	LHCP
Axial Ratio(dB)	2.0 Typ.
	3.0 Max.
3dB Beamwidth(deg)	E Plane: 83-19
	H Plane: 83-19
VSWR	1.5:1 Max.
Connector	SMA-Female
Power Handling(W)	20 Max. CW
Material	Al
Size(mm)	258x204x204
Net Weight(Kg)	2.88 Around

Outline Drawing (Size: mm)

SMA Female Output



LHCP Connector, SMA Female



AINFO Inc.

Page 1 of 8

China(Beijing):
China(Chengdu):
USA :

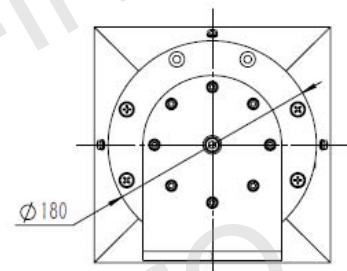
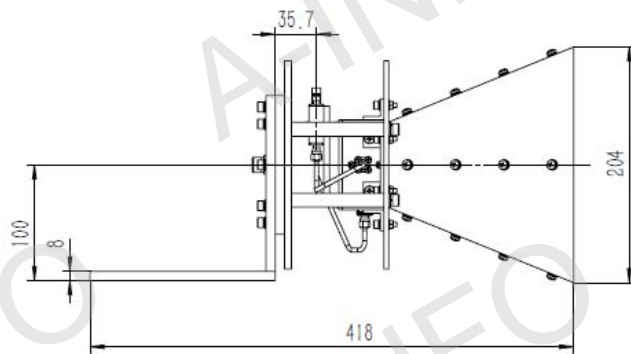
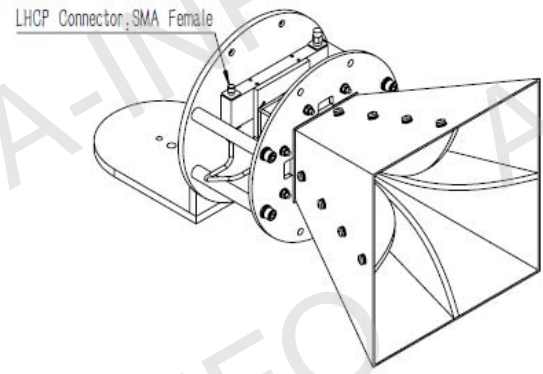
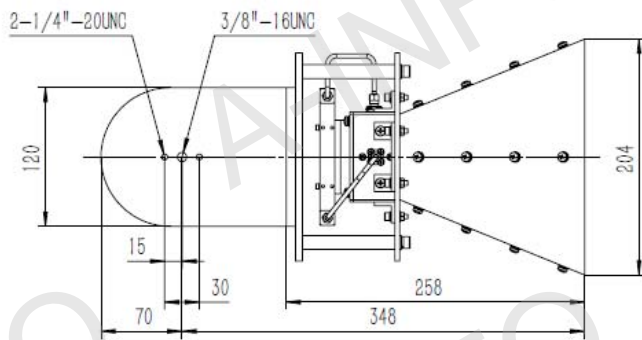
Tel: (+86) 10-6266-7326,
Tel: (+86) 28-8519-2786,
Tel: (+1) 949-639-9688,

(+86) 10-6266-7327
(+86) 28-8519-3044
(+1) 949-639-9608

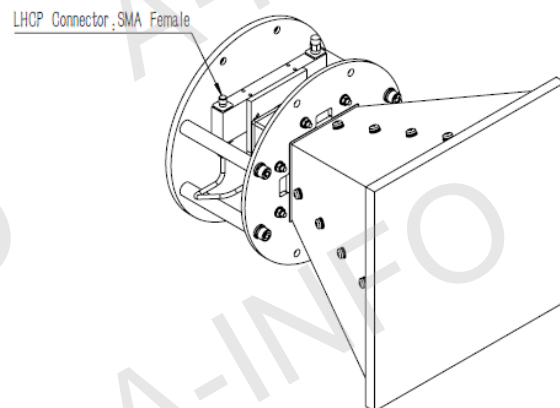
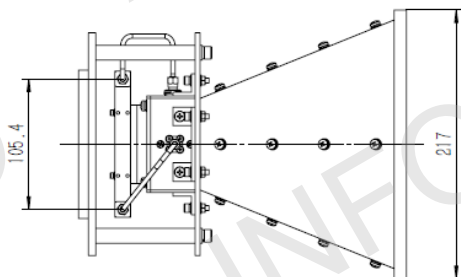
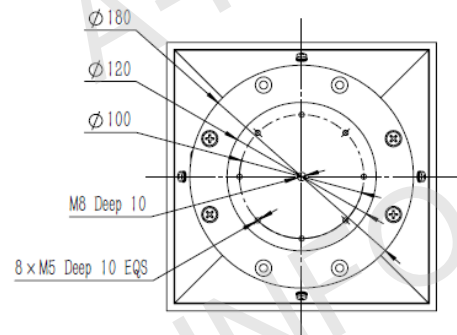
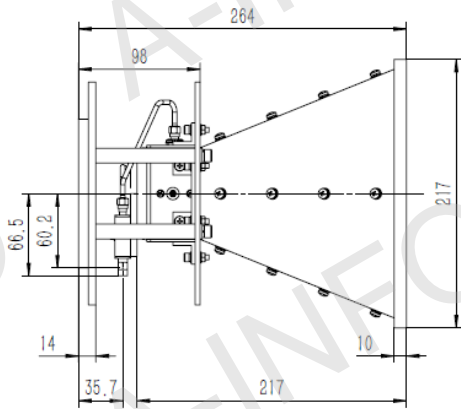
Fax: (+86) 10-6266-7379
Fax: (+86) 28-8519-3068
Fax: (+1) 949-639-9670

Website: www.ainfoinc.com
Email: sales@ainfoinc.com

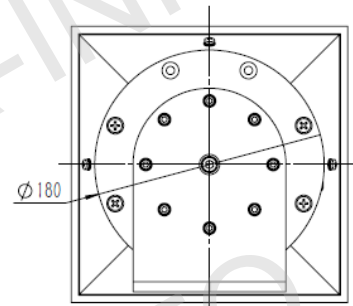
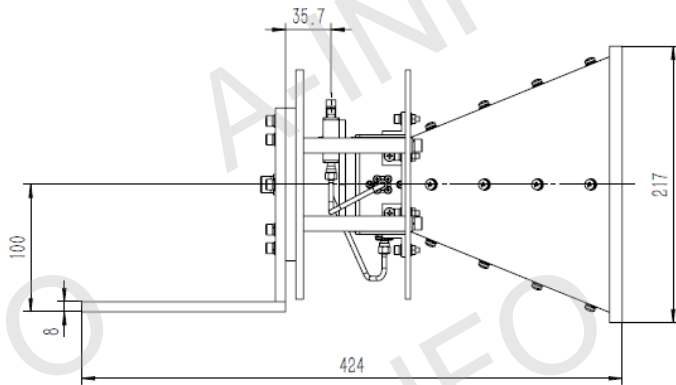
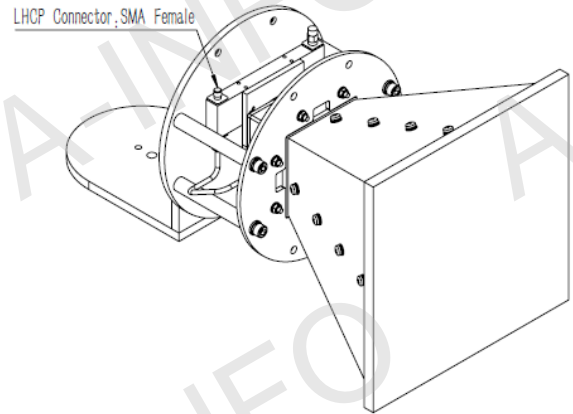
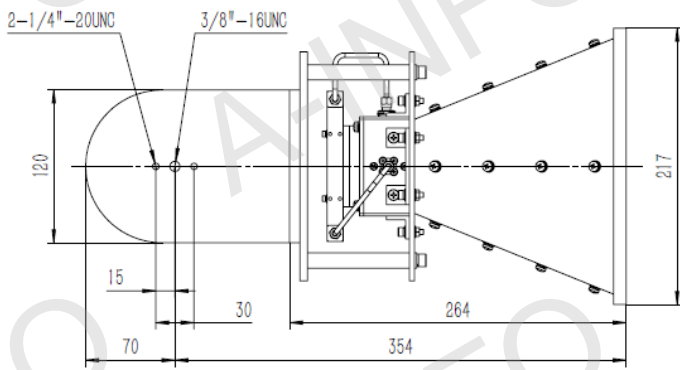
SMA Female Output with L type mounting bracket



SMA Female Output with Radome

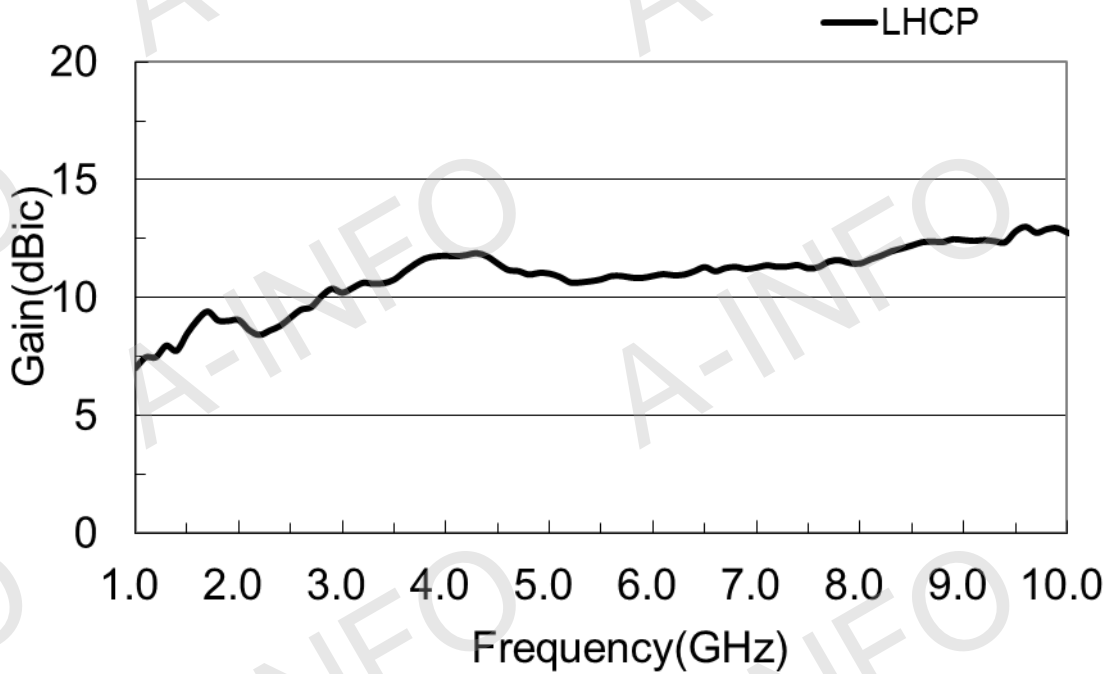


SMA Female Output with Radome & L type mounting bracket

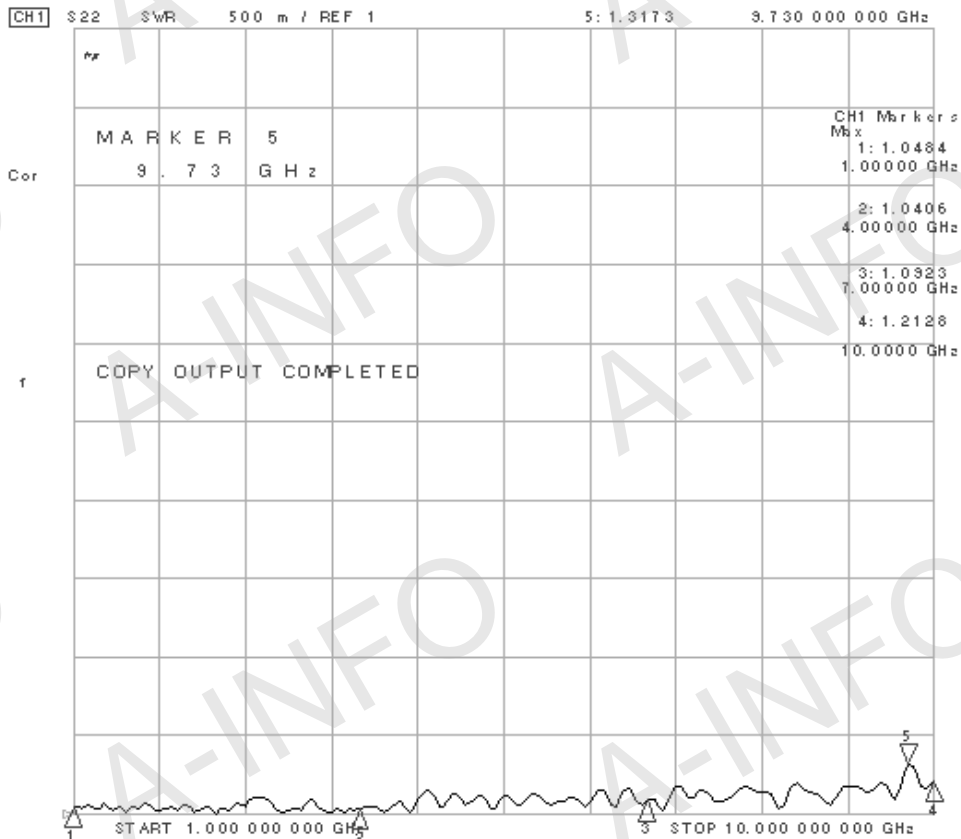


Test Results

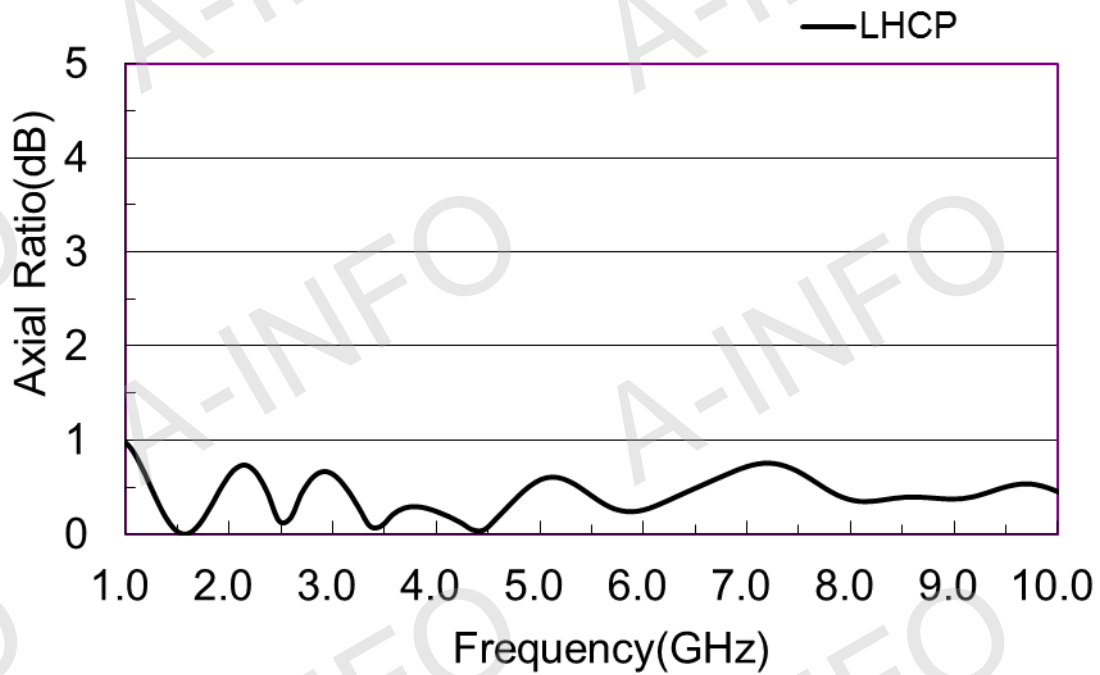
1. Gain



2. VSWR



3. Axial Ratio



4. Pattern

