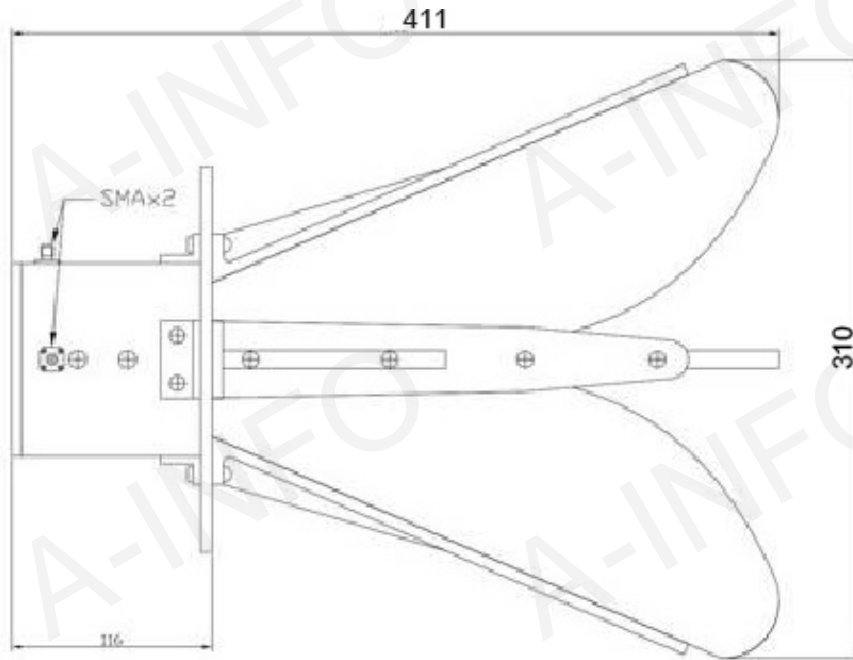


Technical Specification



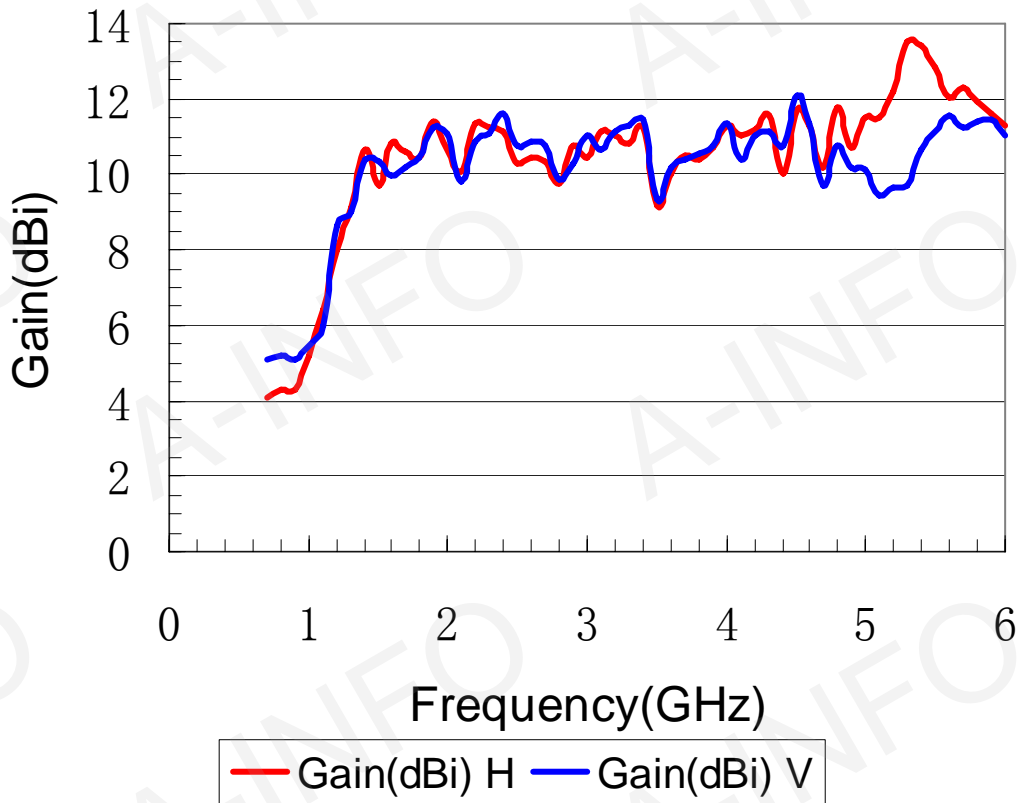
| | |
|----------------------------|-------------|
| Frequency Range(GHz) | 0.7 - 6.0 |
| Gain(dBi) | 11 Typ. |
| Polarization | Dual Pol. |
| VSWR | 2.0:1 Typ. |
| 3dB Beamwidth(deg) | 120-15 |
| Port to Port Isolation(dB) | 20 min |
| Power Handling(W) | 10 CW |
| Connector | SMA -Female |
| Size(mm) | 310x310x411 |
| Net Weight(Kg) | 5.0 Around |

Outline Drawing (Size: mm)

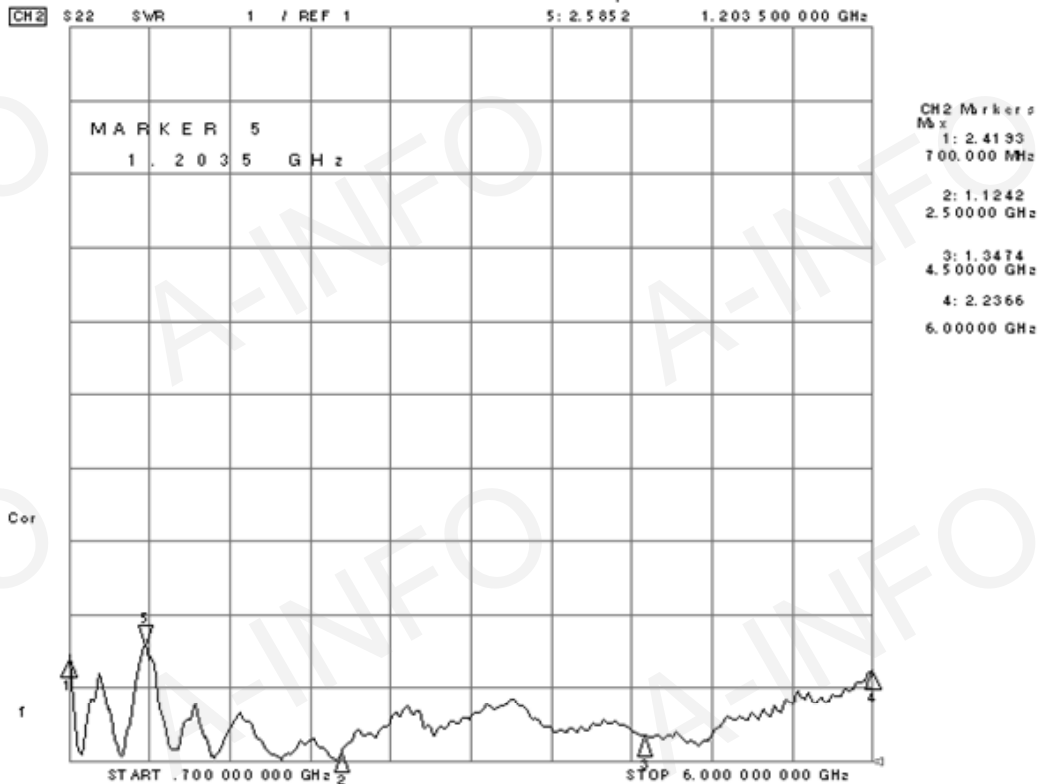


Test Results

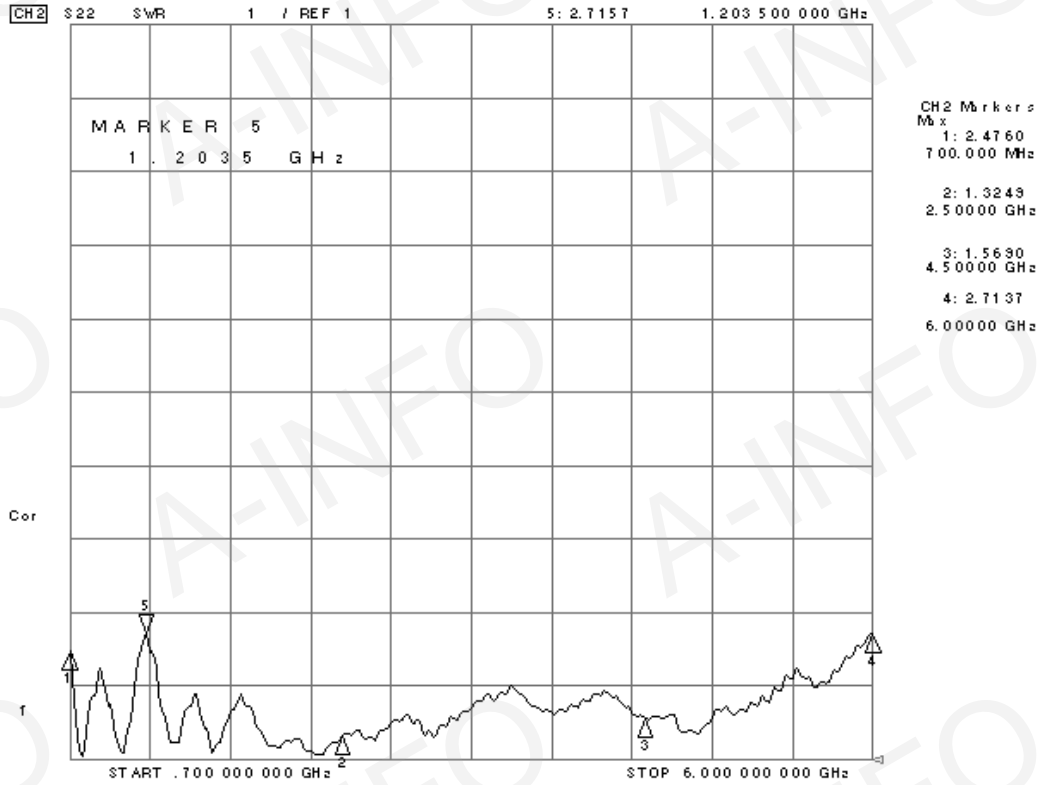
1. Gain



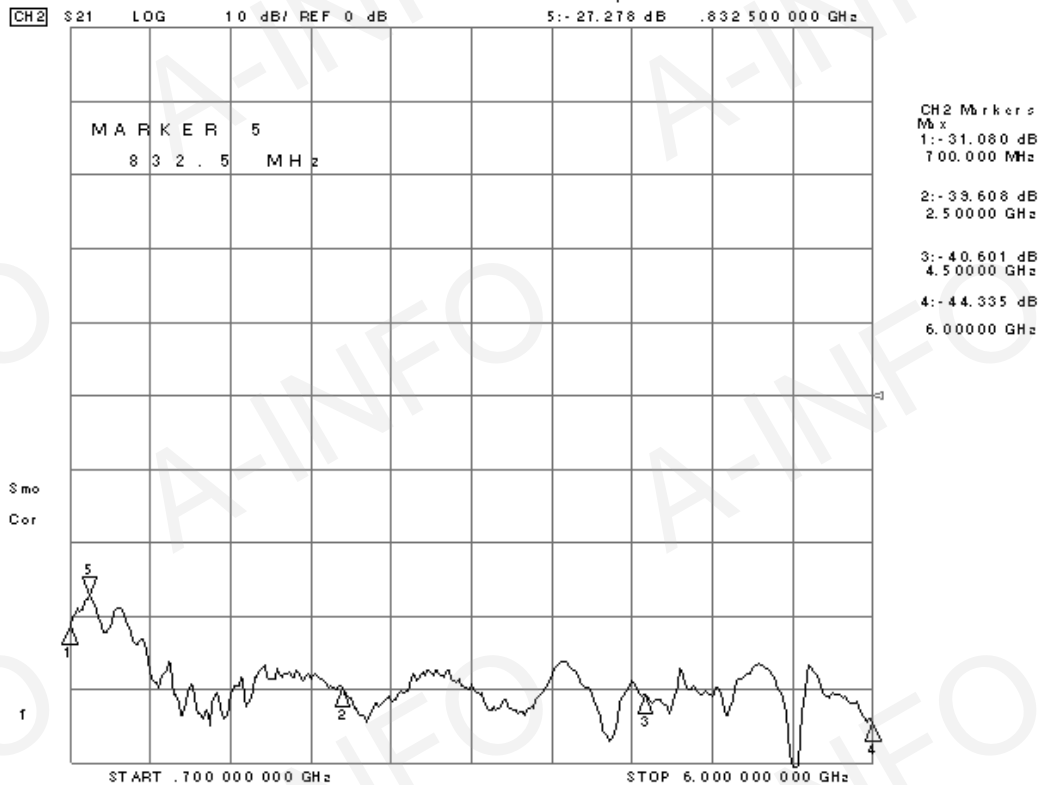
2. VSWR H Port



V Port



3. Port to Port Isolation



4. Pattern

