

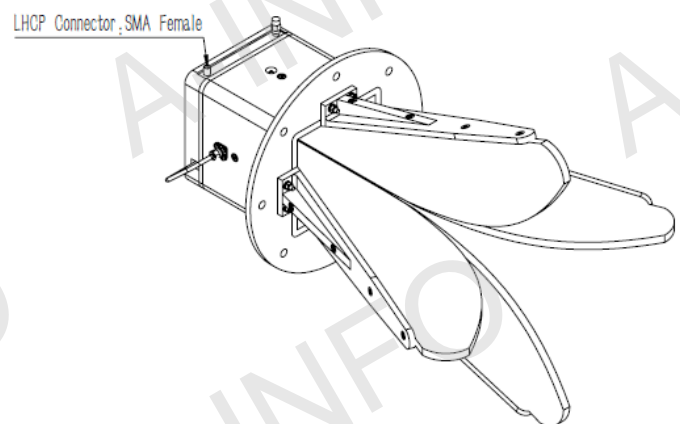
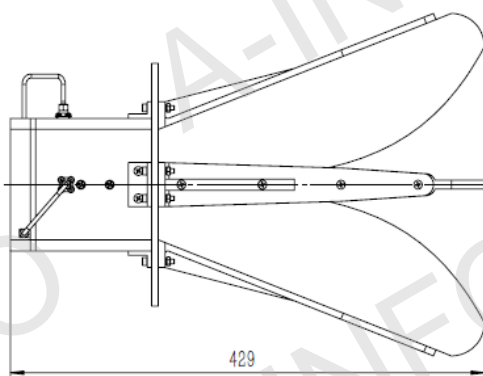
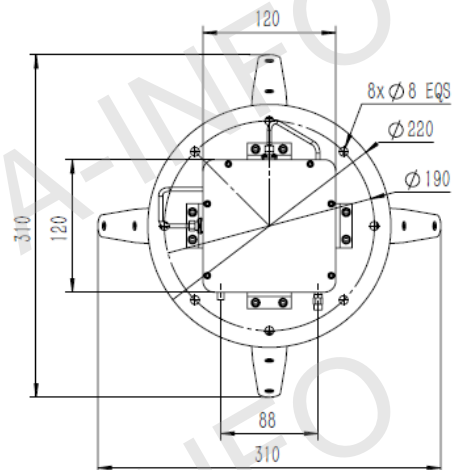
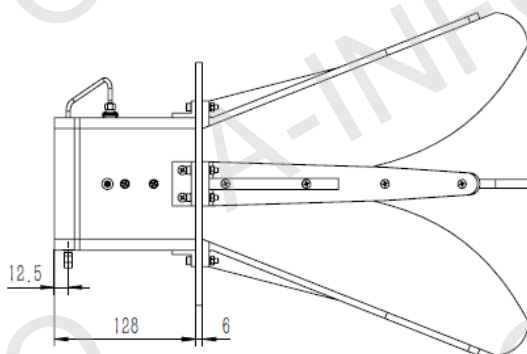
Technical Specification



Frequency Range(GHz)	0.7 - 6.0
Gain(dBic)	10 Typ.
Polarization	LHCP
Axial Ratio(dB)	2.0 Typ. 5.0 Max.
3dB Beamwidth(deg)	E Plane: 175-19 H Plane: 139-18
VSWR	2.0:1 Max.
Output	SMA-Female
Power Handling(W)	20 Max. CW
Material	Al
Size(mm)	310 x 310 x 429
Net Weight(Kg)	5.0 Around

Outline Drawing (Size: mm)

SMA Female Output



AINFO Inc.

Page 1 of 6

China(Beijing):
China(Chengdu):
USA :

Tel: (+86) 10-6266-7326,
Tel: (+86) 28-8519-2786,
Tel: (+1) 949-639-9688,

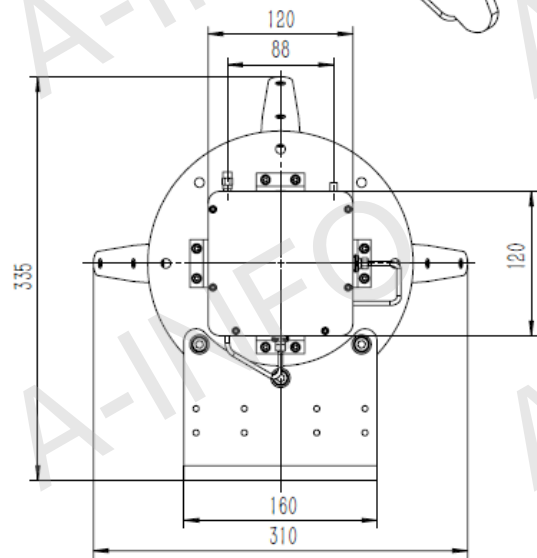
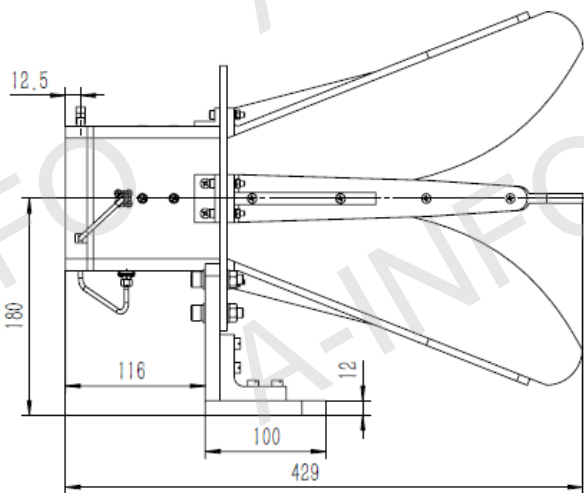
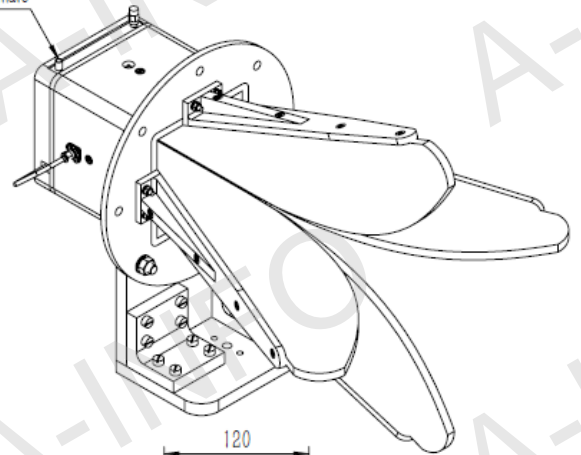
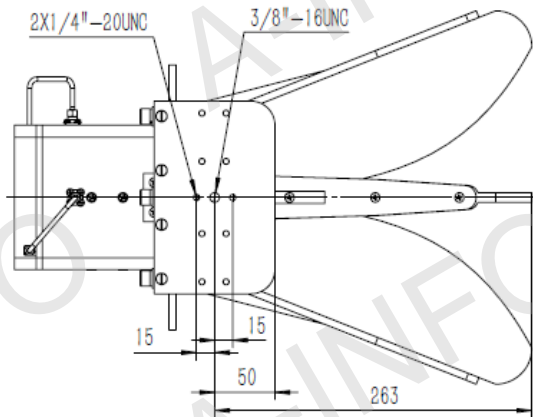
(+86) 10-6266-7327
(+86) 28-8519-3044
(+1) 949-639-9608

Fax: (+86) 10-6266-7379
Fax: (+86) 28-8519-3068
Fax: (+1) 949-639-9670

Website: www.ainfoinc.com
Email: sales@ainfoinc.com

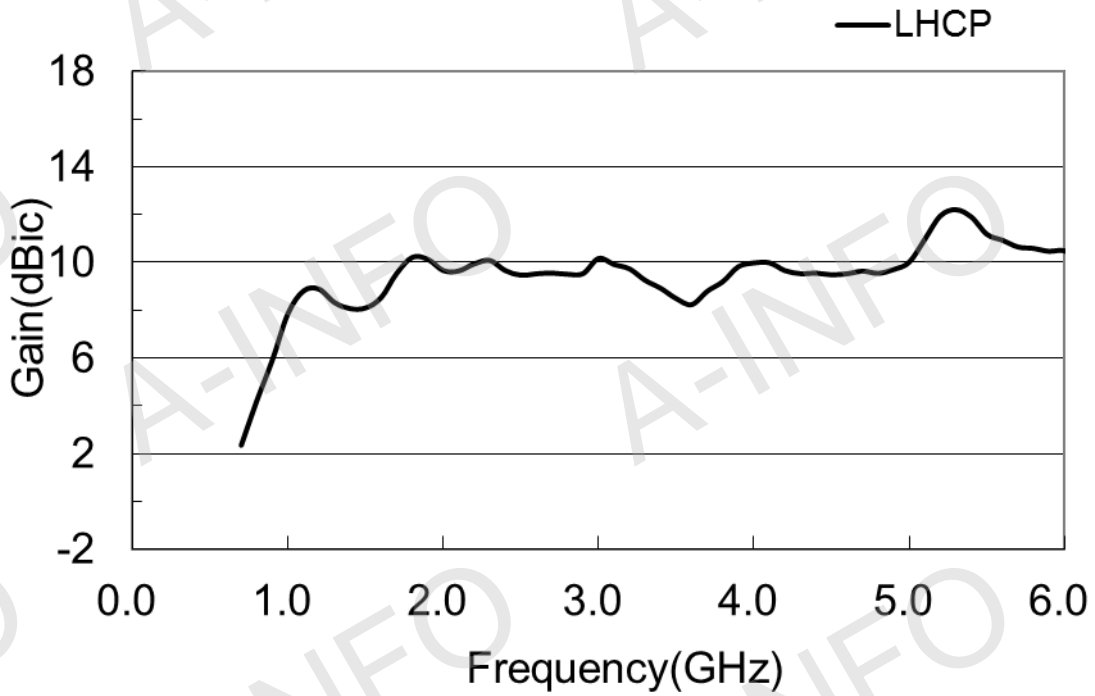
SMA Female Output with L type mounting bracket

LHCP Connector, SMA Female

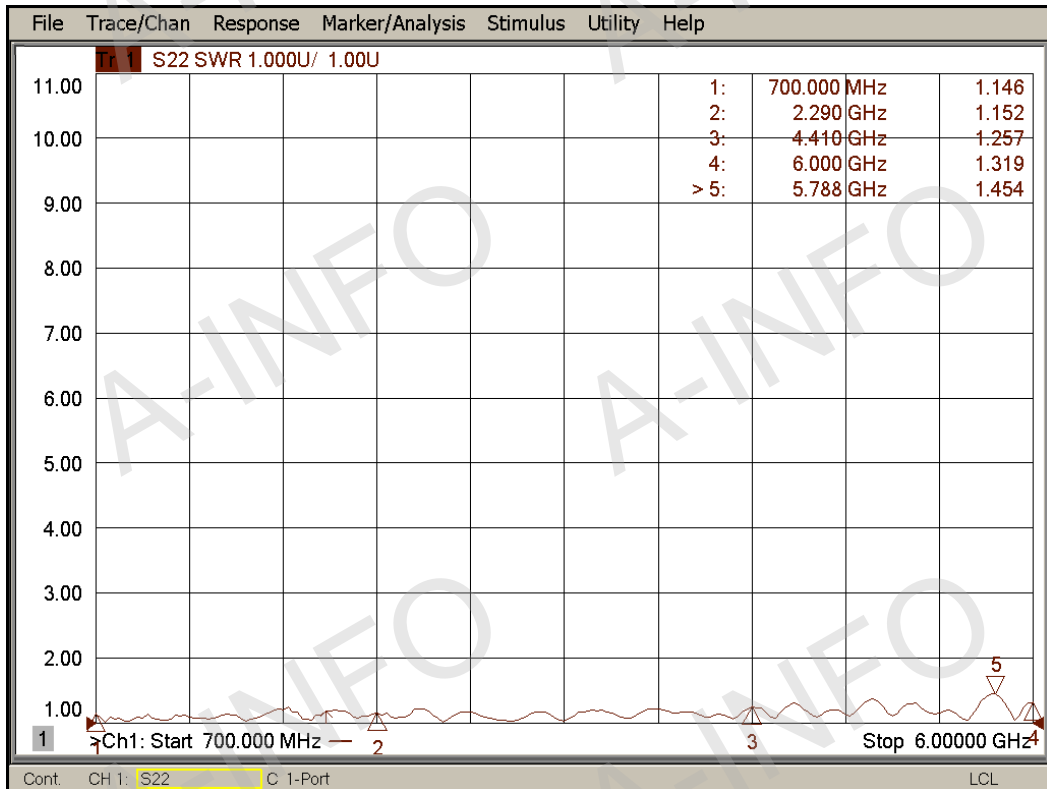


Test Results

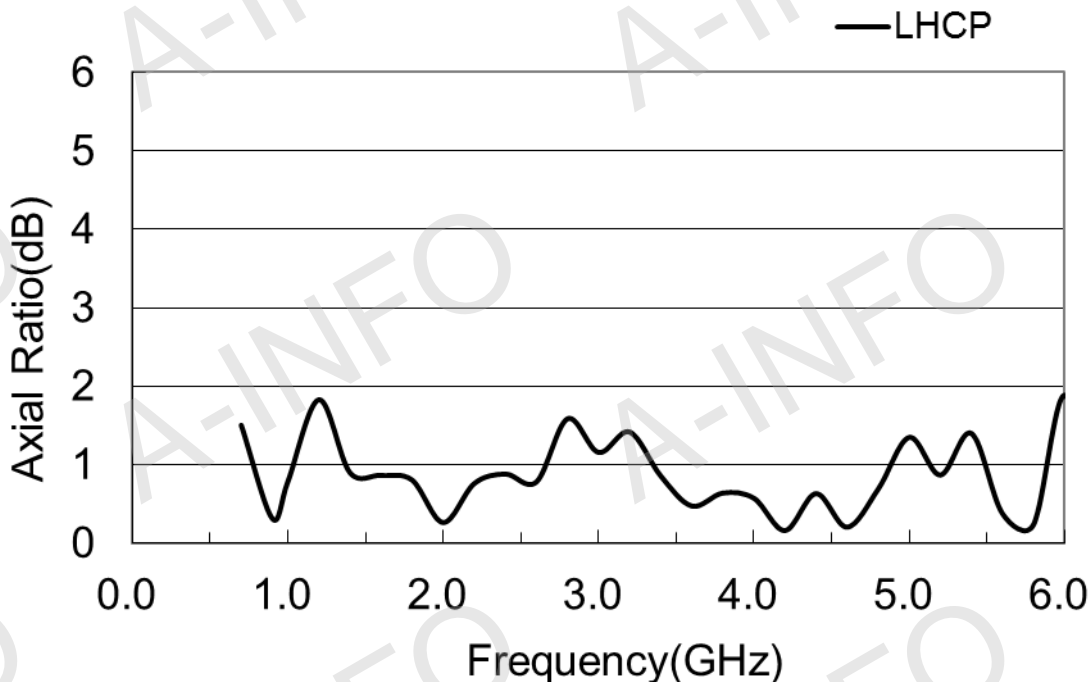
1. Gain



2. VSWR



3. Axial Ratio



4. Pattern

