
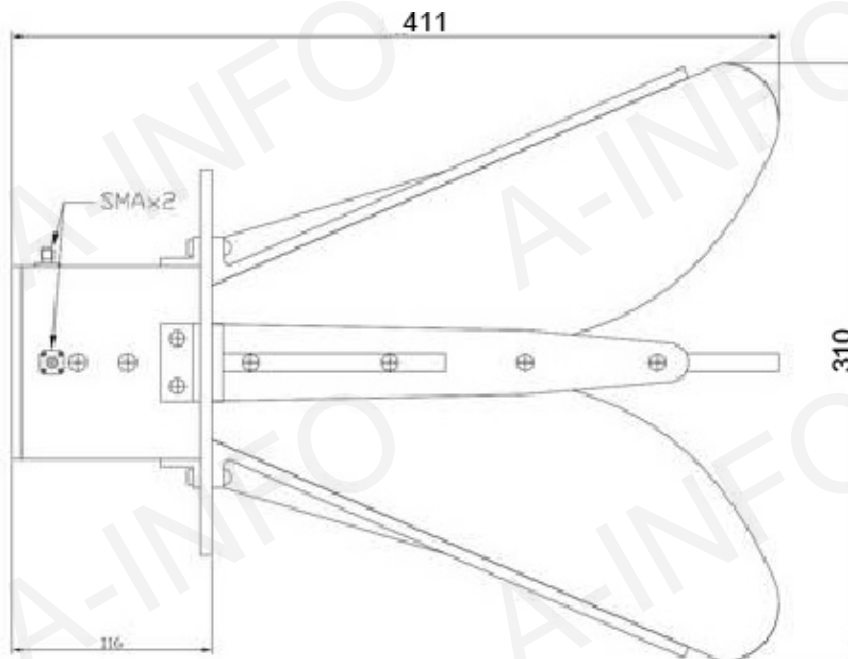


## Technical Specification

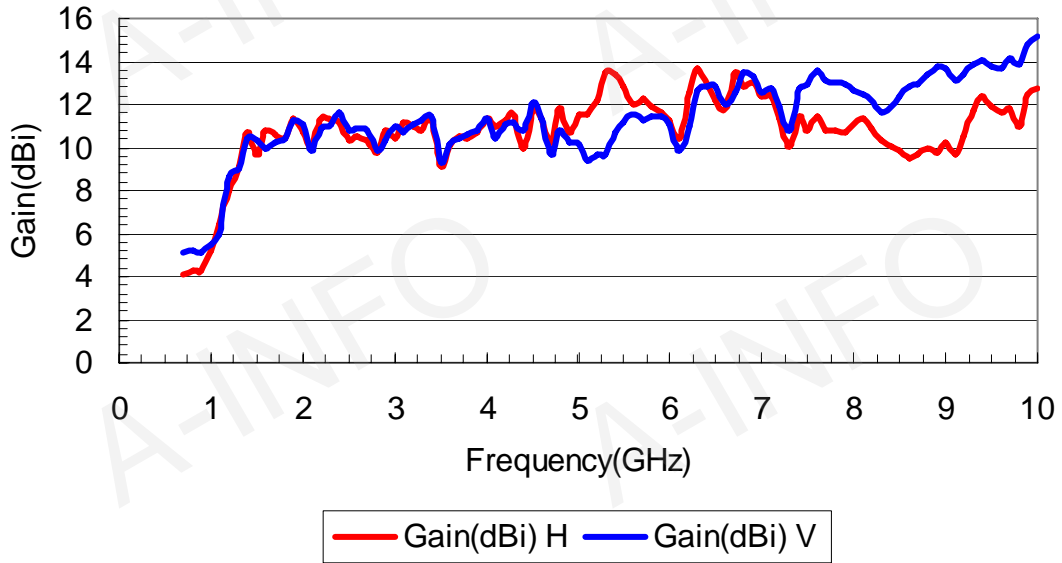
	Frequency Range(GHz)	0.7 - 10.0
	Gain(dBi)	11 Typ.
	Polarization	Dual Pol.
	VSWR	2.0:1 Typ.
	3dB Beamwidth(deg)	120-15
	Port to Port Isolation(dB)	20 min
	Power Handling(W)	10 CW
	Connector	SMA -Female
	Size(mm)	310x310x411
	Net Weight(Kg)	5.0 Around

## Outline Drawing (Size: mm)

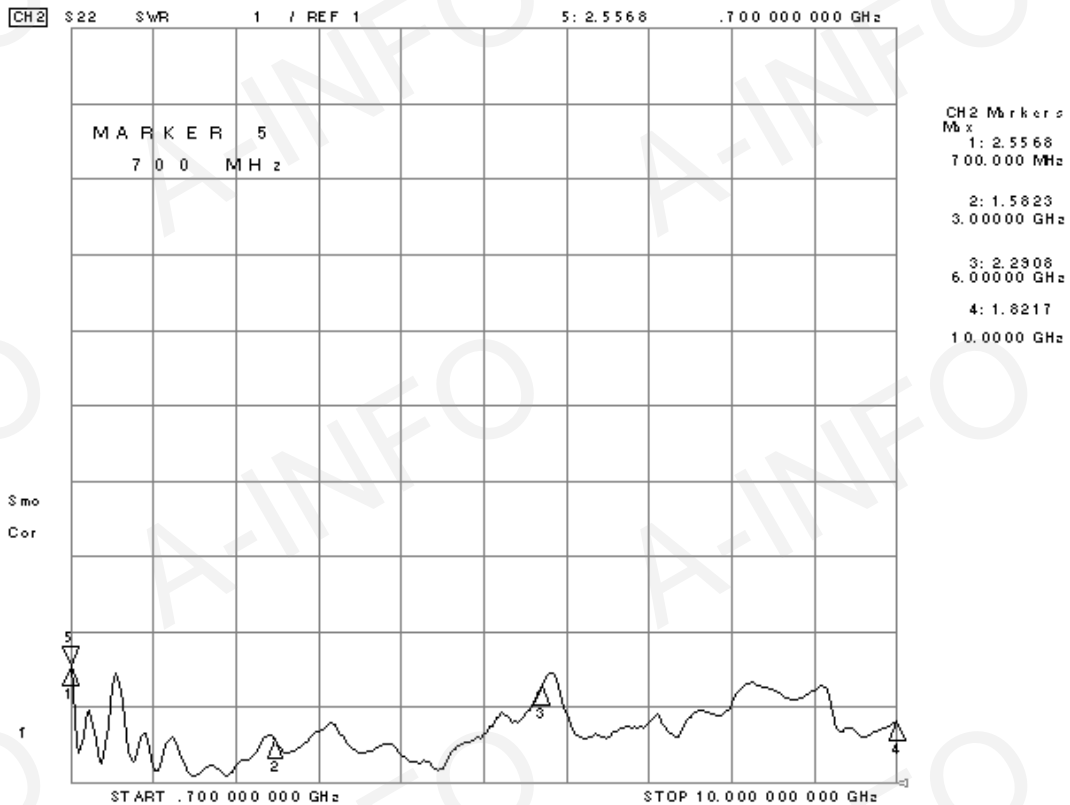


## Test Results

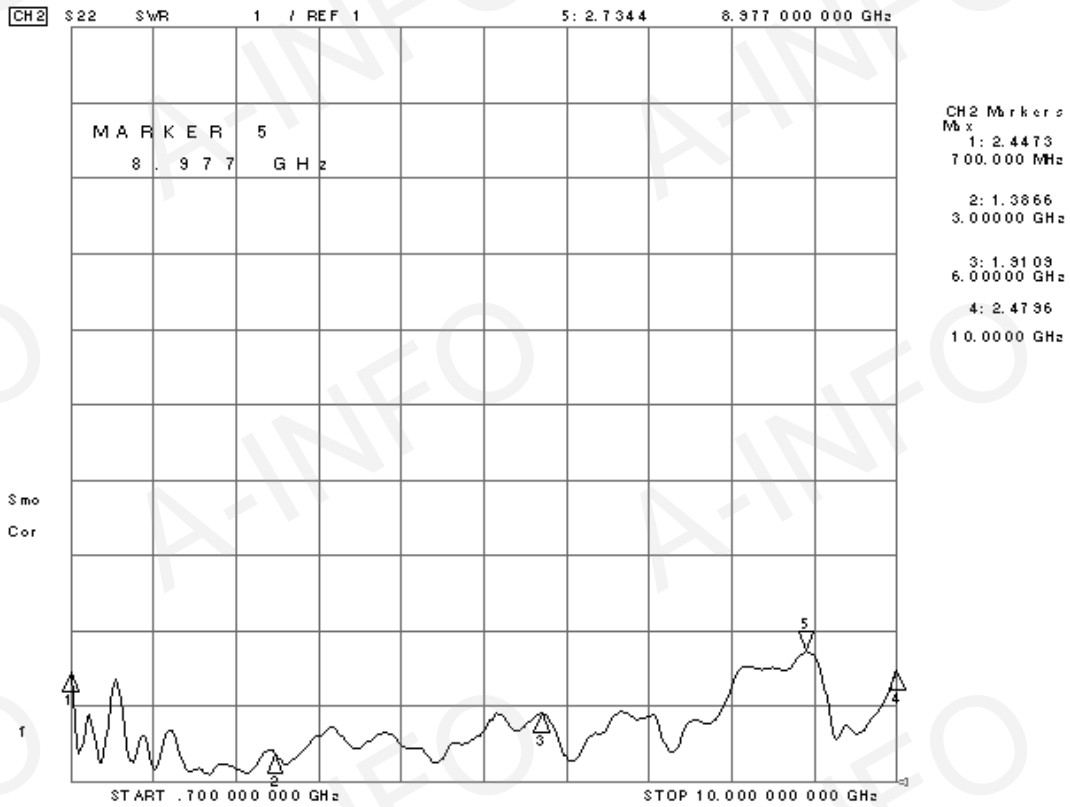
### 1. Gain



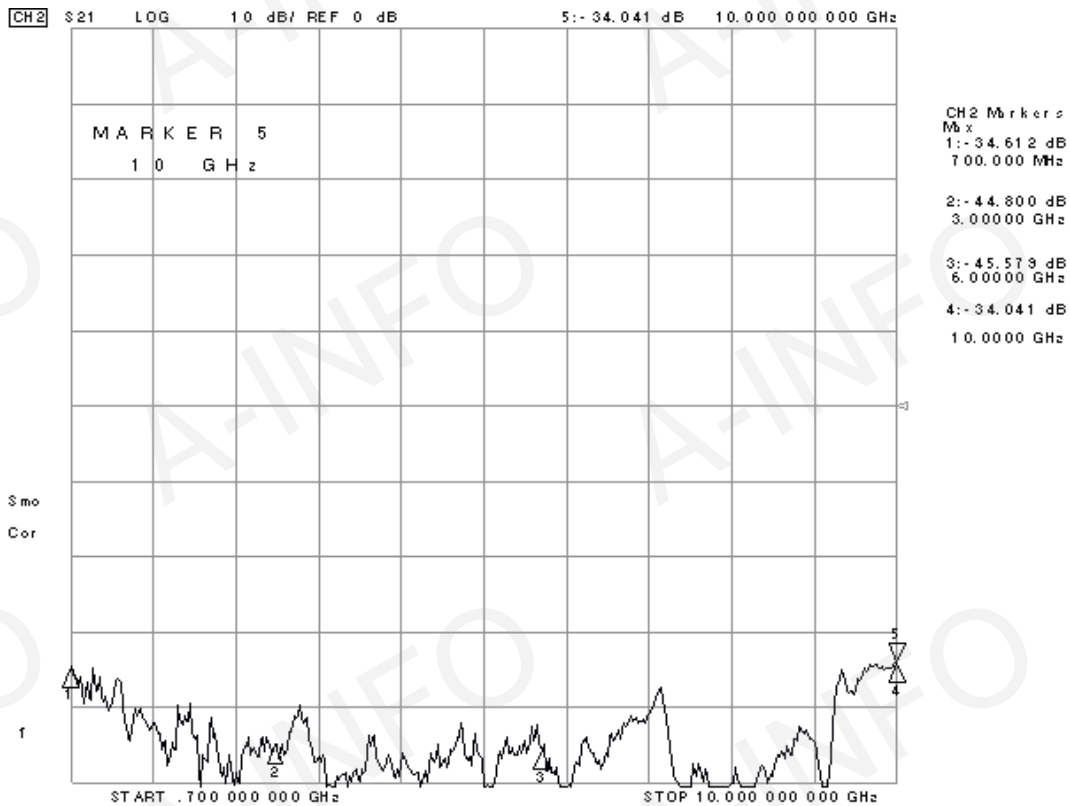
### 2. VSWR H Port



V Port

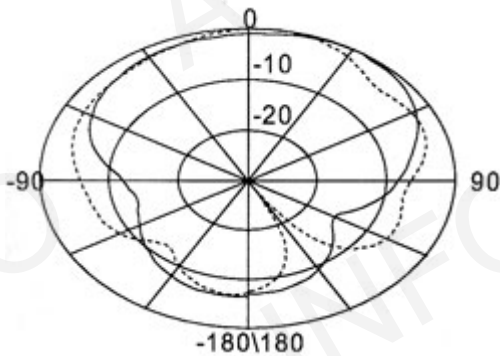


3. Port to Port Isolation



## 4. Pattern

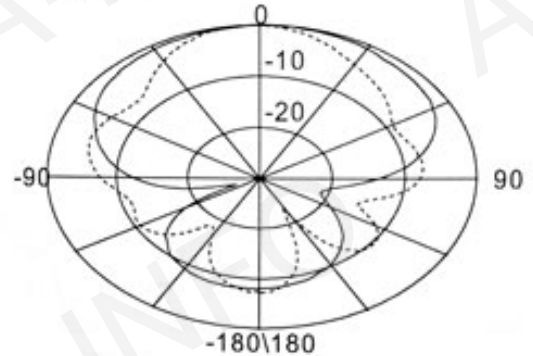
Frequency: 0.7GHz



H-Plane ——— E-Plane - - - - -

3dB Beamwidth(deg):115.11    3dB Beamwidth(deg): 103.24

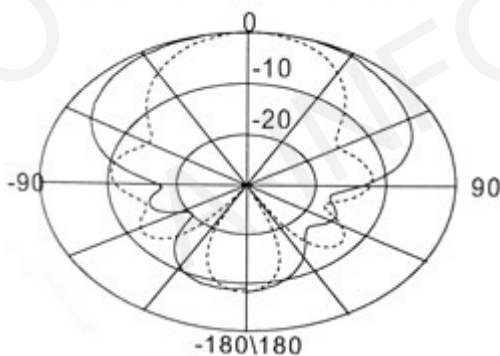
Frequency: 0.8GHz



H-Plane ——— E-Plane - - - - -

3dB Beamwidth(deg): 120.57    3dB Beamwidth(deg): 51.39

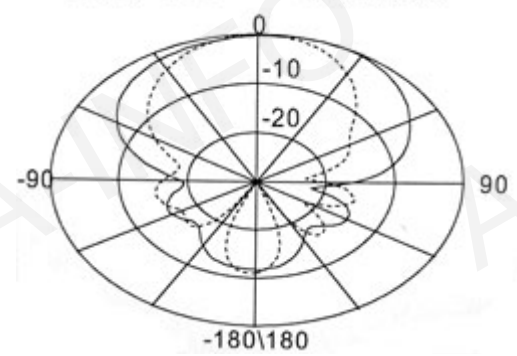
Frequency: 0.9GHz



H-Plane ——— E-Plane - - - - -

3dB Beamwidth(deg):110.86    3dB Beamwidth(deg): 49.11

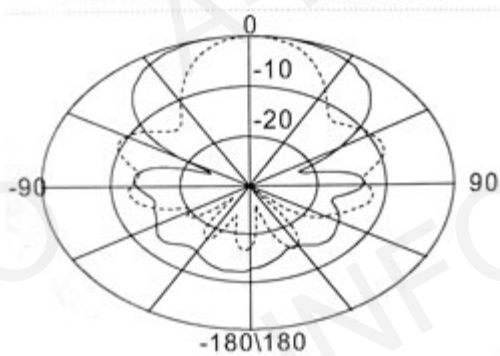
Frequency: 1.0GHz



H-Plane ——— E-Plane - - - - -

3dB Beamwidth(deg): 96.07    3dB Beamwidth(deg): 51.40

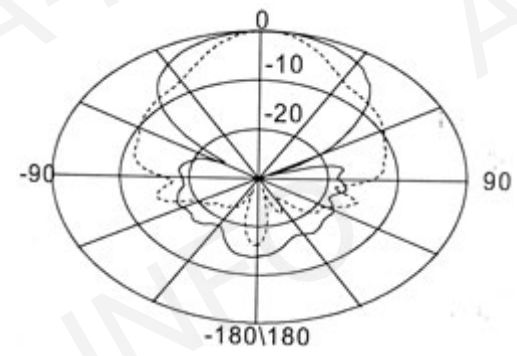
Frequency: 1.5GHz



H-Plane ——— E-Plane - - - - -

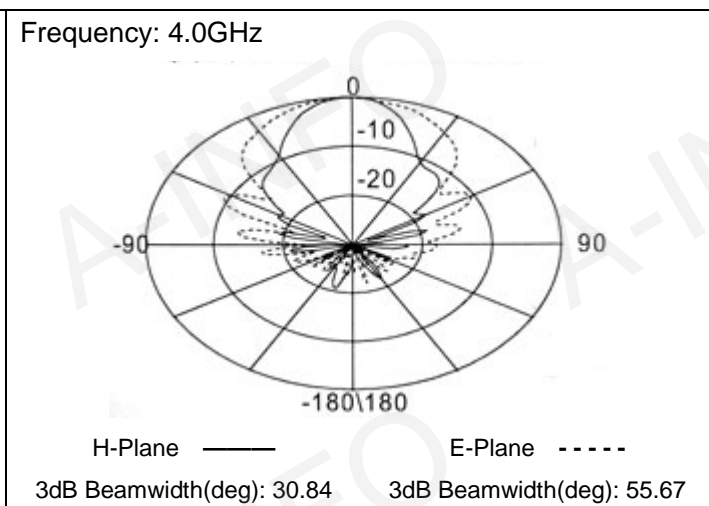
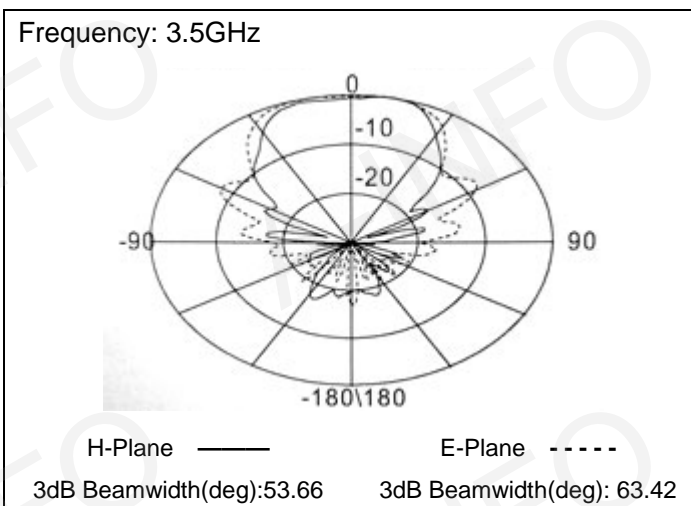
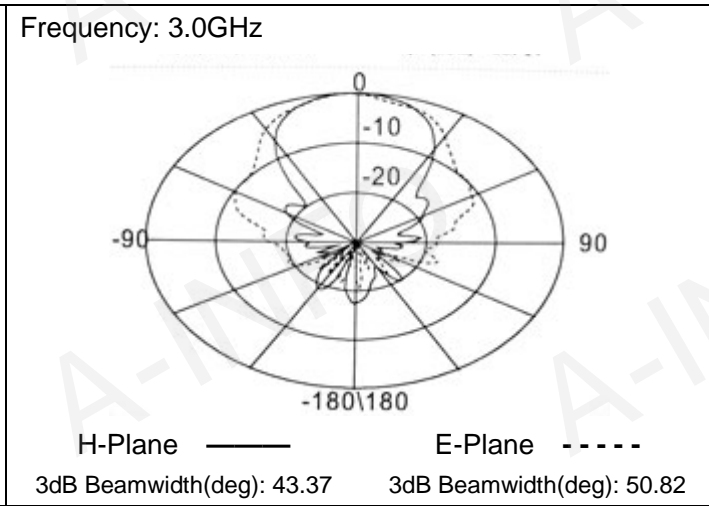
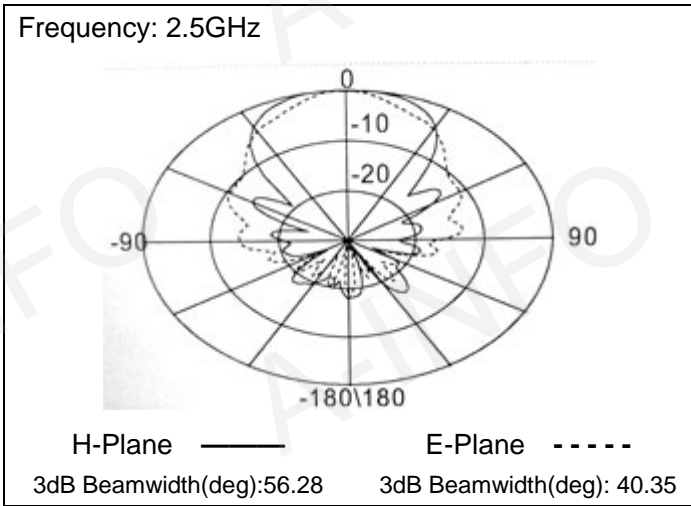
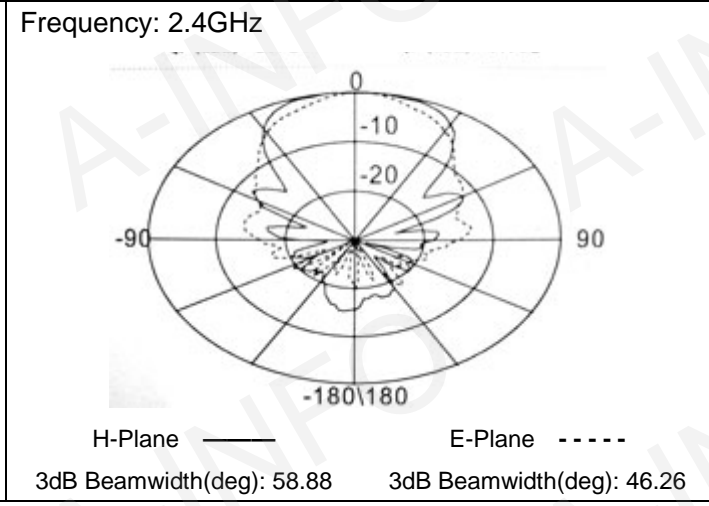
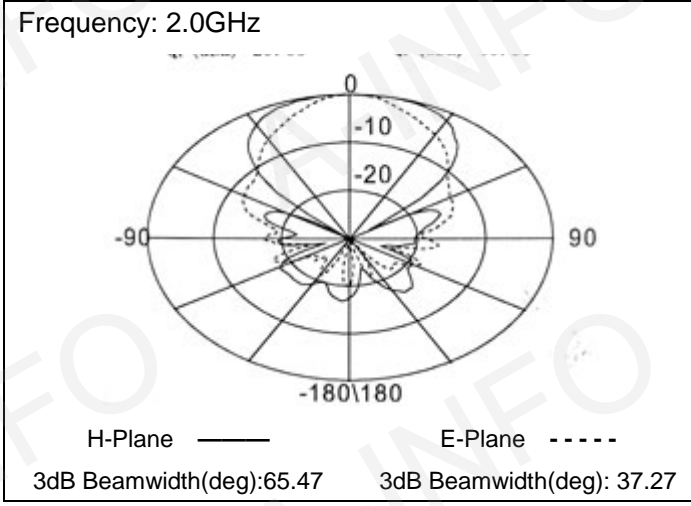
3dB Beamwidth(deg):73.98    3dB Beamwidth(deg): 33.91

Frequency: 1.8GHz

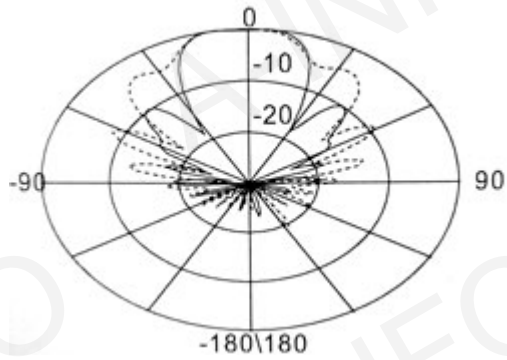


H-Plane ——— E-Plane - - - - -

3dB Beamwidth(deg): 60.59    3dB Beamwidth(deg): 33.55

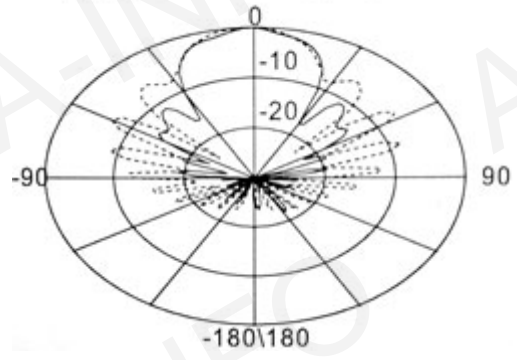


Frequency: 4.5GHz



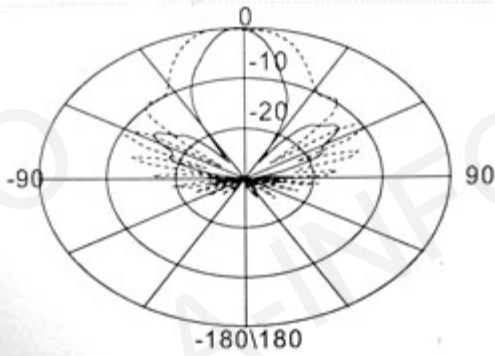
H-Plane ——— E-Plane - - - - -  
 3dB Beamwidth(deg):38.15    3dB Beamwidth(deg): 38.75

Frequency: 5.0GHz



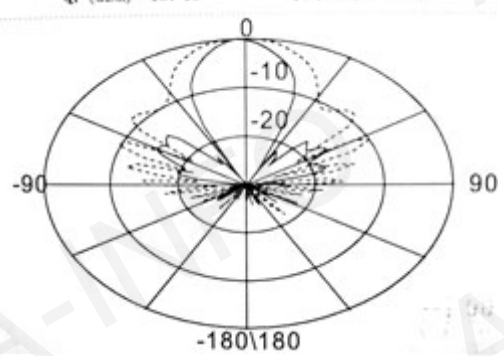
H-Plane ——— E-Plane - - - - -  
 3dB Beamwidth(deg): 39.29    3dB Beamwidth(deg): 37.07

Frequency: 5.5GHz



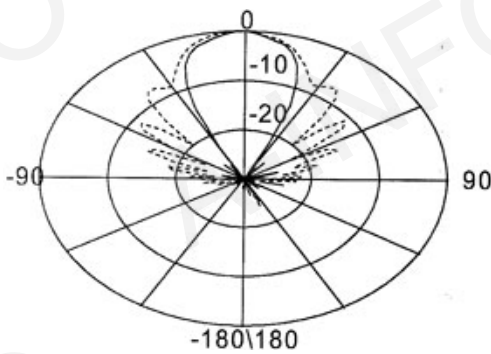
H-Plane ——— E-Plane - - - - -  
 3dB Beamwidth(deg):17.87    3dB Beamwidth(deg): 36.48

Frequency: 6.0GHz



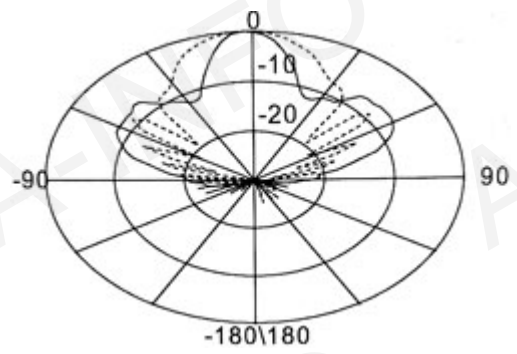
H-Plane ——— E-Plane - - - - -  
 3dB Beamwidth(deg): 22.81    3dB Beamwidth(deg): 39.27

Frequency: 6.5GHz



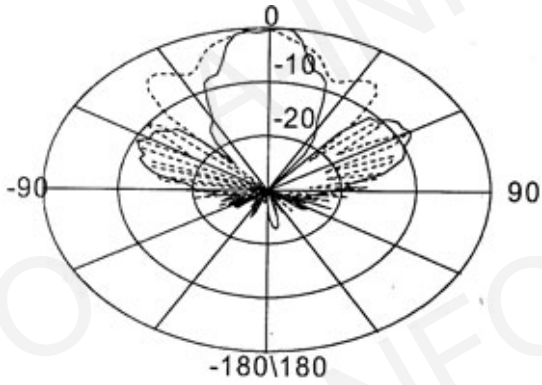
H-Plane ——— E-Plane - - - - -  
 3dB Beamwidth(deg):31.28    3dB Beamwidth(deg): 35.24

Frequency: 7.0GHz



H-Plane ——— E-Plane - - - - -  
 3dB Beamwidth(deg): 19.81    3dB Beamwidth(deg): 38.59

Frequency: 7.5GHz



H-Plane ——— E-Plane - - - - -

3dB Beamwidth(deg):22.45      3dB Beamwidth(deg): 29.13

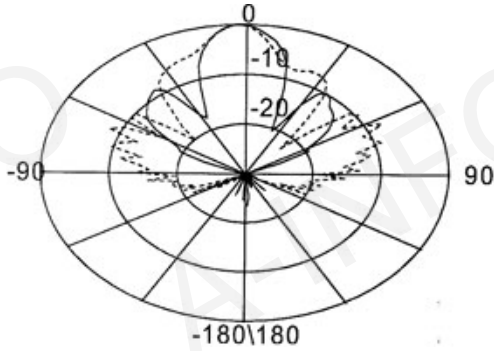
Frequency: 8.0GHz



H-Plane ——— E-Plane - - - - -

3dB Beamwidth(deg): 22.17      3dB Beamwidth(deg): 30.09

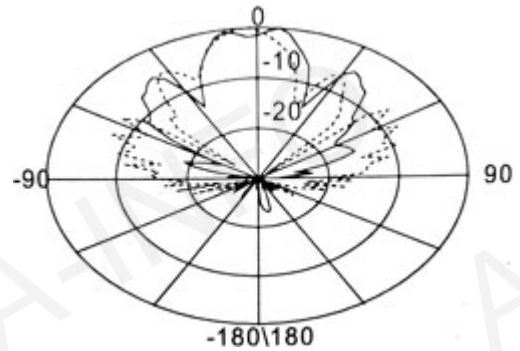
Frequency: 8.5GHz



H-Plane ——— E-Plane - - - - -

3dB Beamwidth(deg):21.17      3dB Beamwidth(deg): 19.04

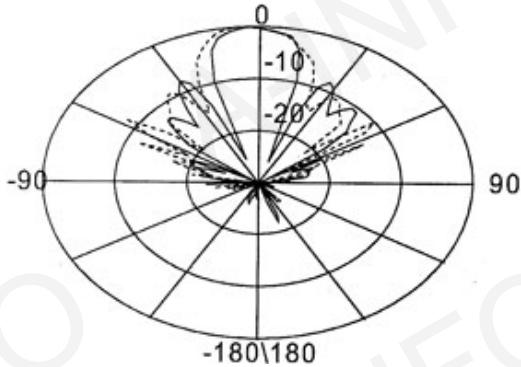
Frequency: 9.0GHz



H-Plane ——— E-Plane - - - - -

3dB Beamwidth(deg):26.26      3dB Beamwidth(deg): 21.16

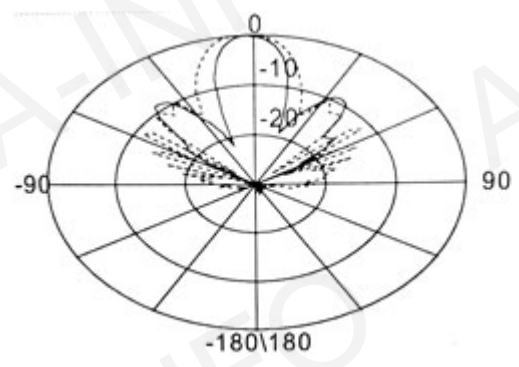
Frequency: 9.5GHz



H-Plane ——— E-Plane - - - - -

3dB Beamwidth(deg):24.81      3dB Beamwidth(deg): 28.45

Frequency: 10.0GHz



H-Plane ——— E-Plane - - - - -

3dB Beamwidth(deg): 17.87      3dB Beamwidth(deg): 25.67