



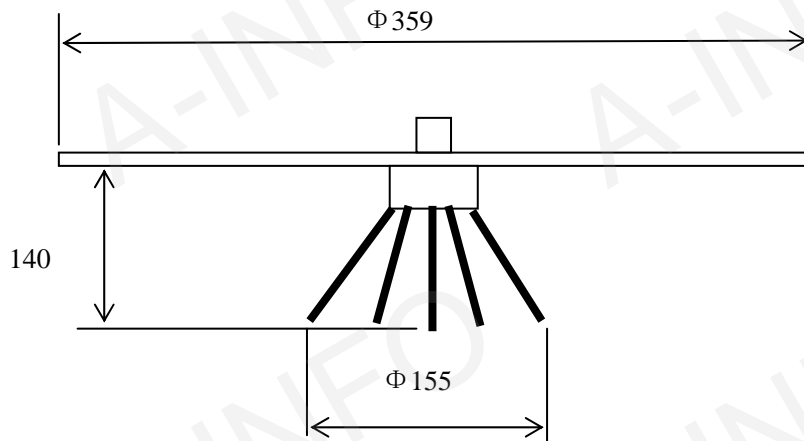
Test report is for reference only.

TEST REPORT
For
PZ-80200/P

Technical Specification

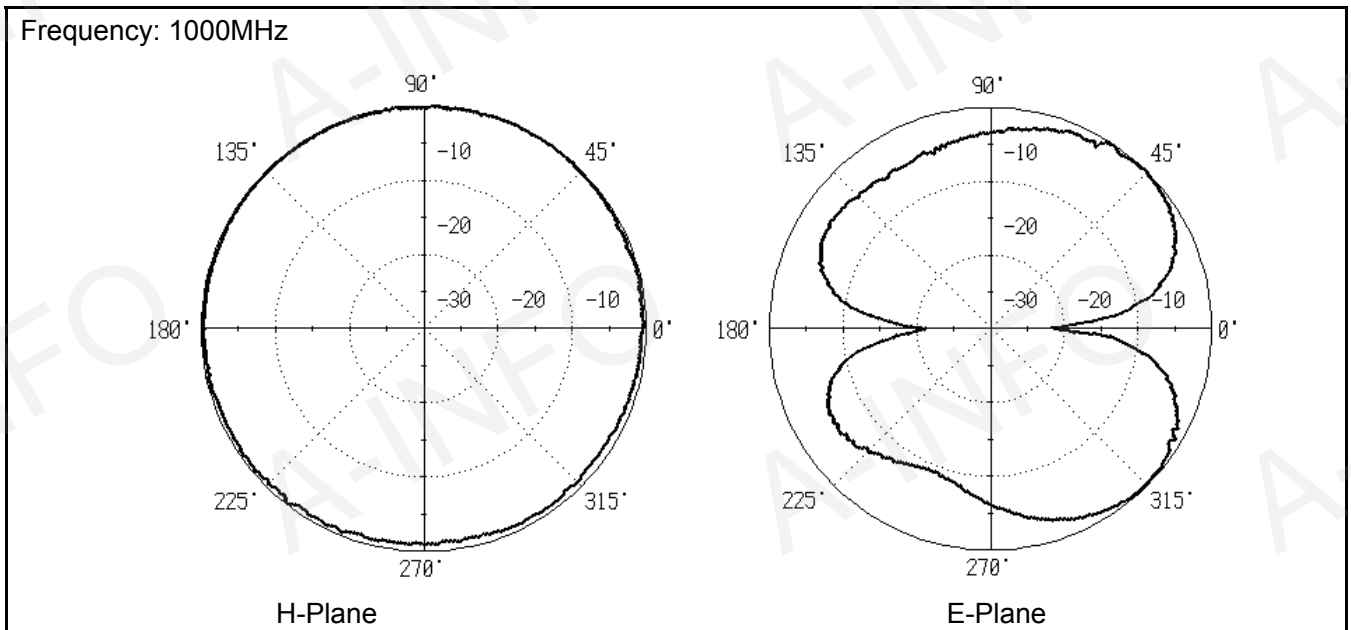
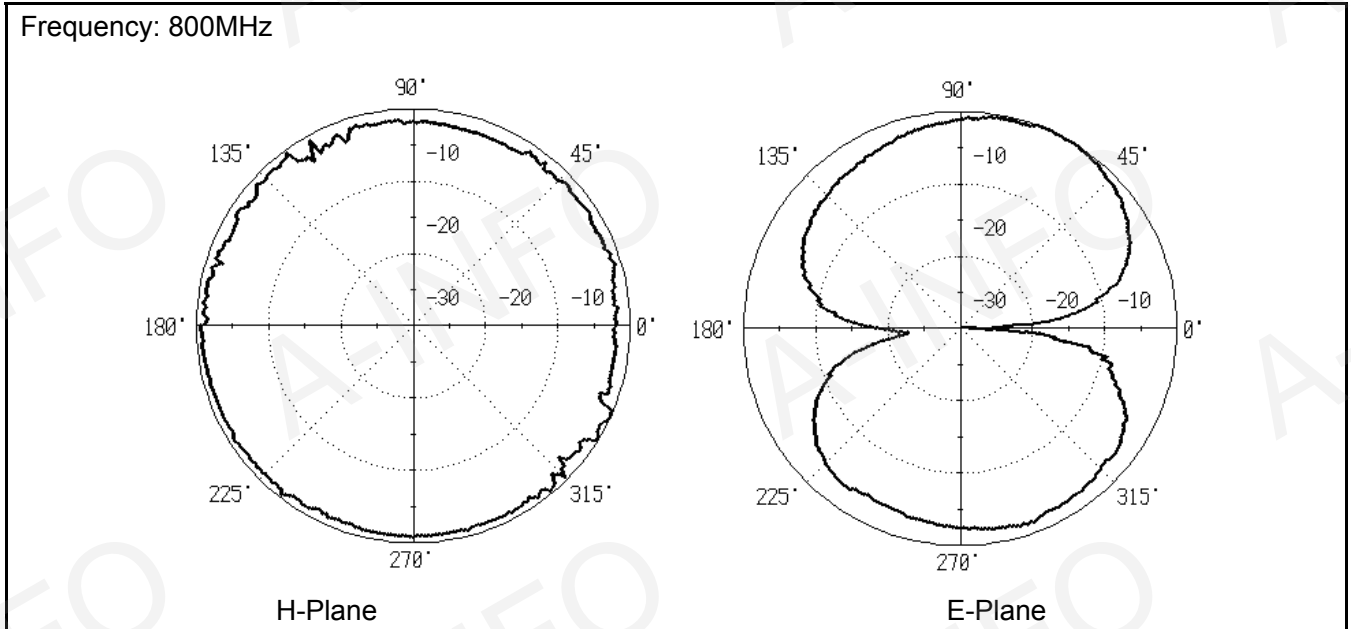
Frequency Range	Polarization	VSWR(Typ.)	Connector	Size
800-2000MHz	Linear	2.5:1	N-Female	Φ155 x 140mm

Outline Drawing

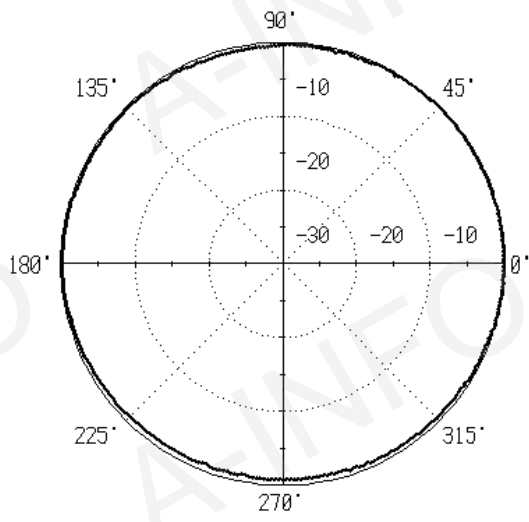


Test Results

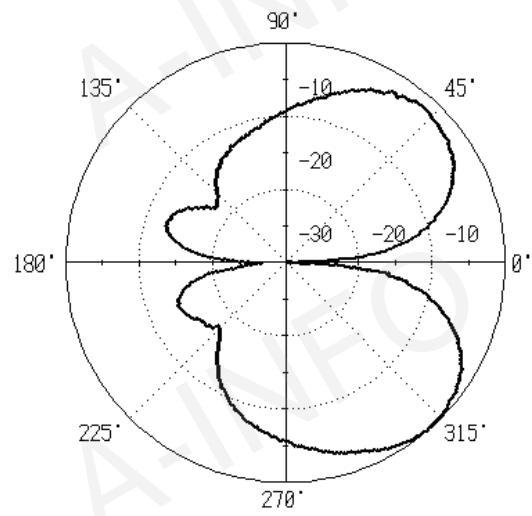
Pattern



Frequency: 1500MHz

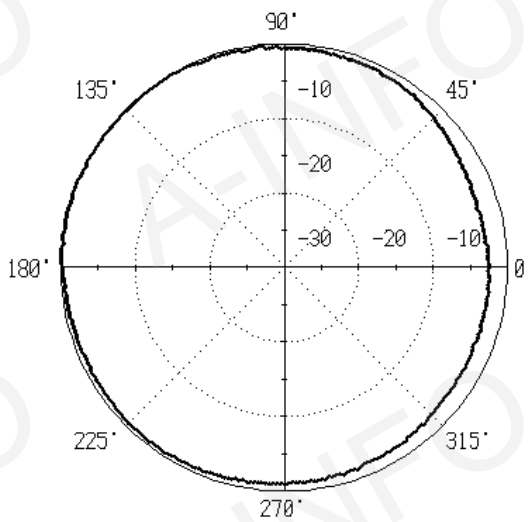


H-Plane

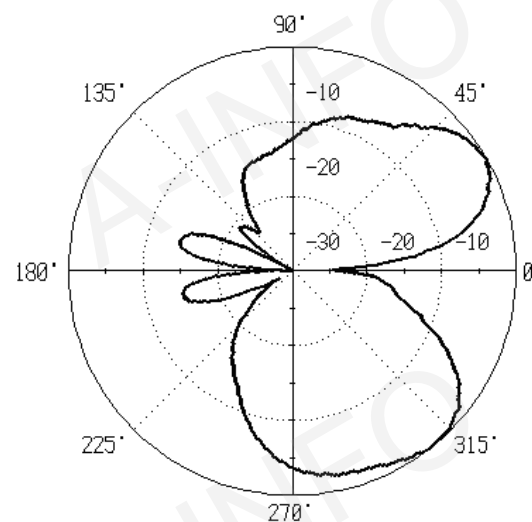


E-Plane

Frequency: 2000MHz



H-Plane



E-Plane