



Test report is for reference only.

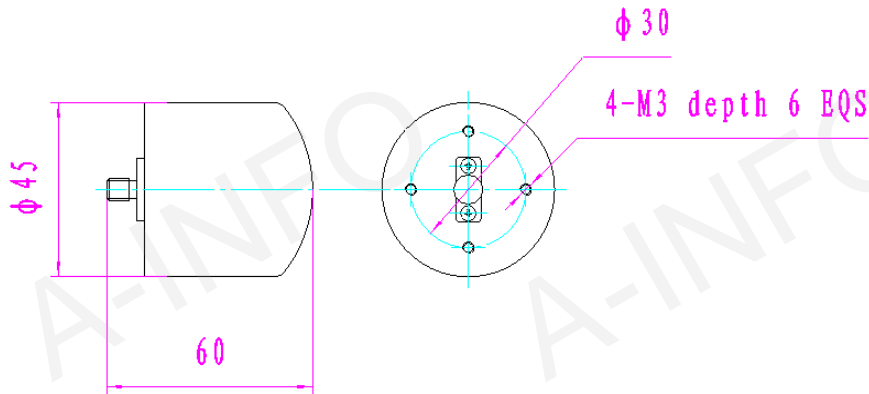
TEST REPORT
For
PZ-8001800/P



Technical Specification

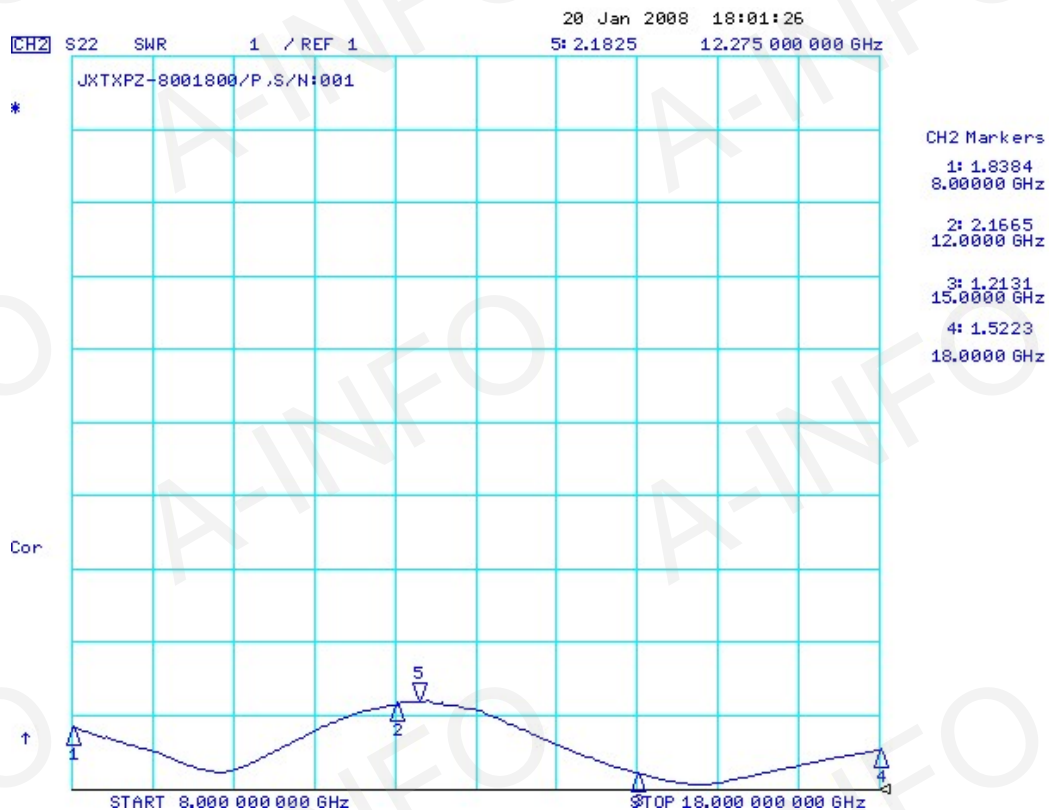
Frequency Range	Polarization	VSWR(Typ.)	Connector	Size	Net Weight
8.0-18.0GHz	Vertical	2.5:1	SMA-Female	Φ45 x 60mm	0.14Kg Around

Outline Drawing



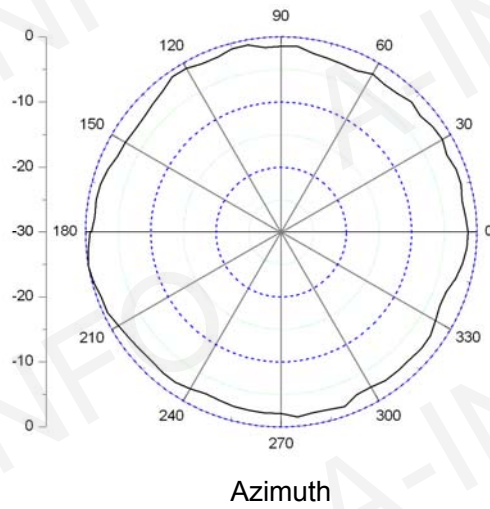
Test Results

1. VSWR

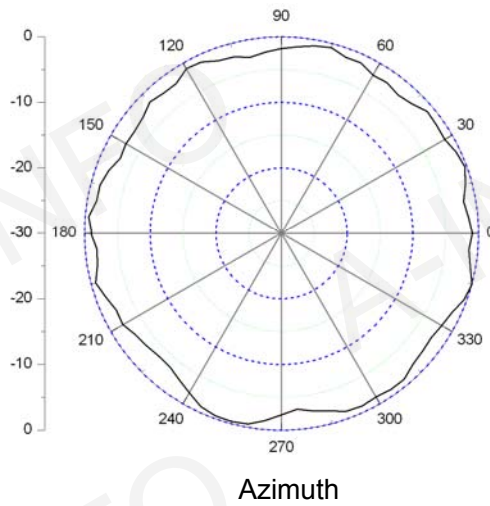


3. Pattern

Frequency: 8GHz



Frequency: 13GHz



Frequency: 18GHz

