



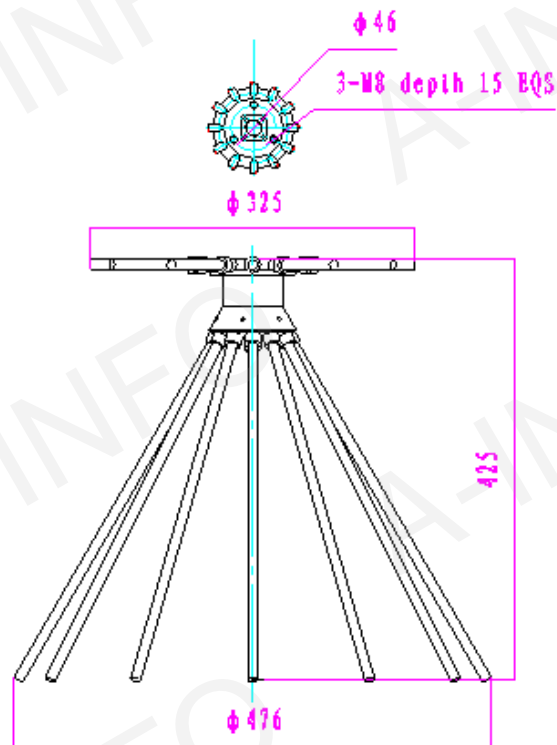
Test report is for reference only.

**TEST REPORT**  
for  
**PZ-25100/P**

### Technical Specification

Frequency Range	Polarization	VSWR(Typ.)	Connector	Size
0.25-1.0GHz	Vertical	2.5:1	N-Female	Φ476 x 425mm

### Outline Drawing

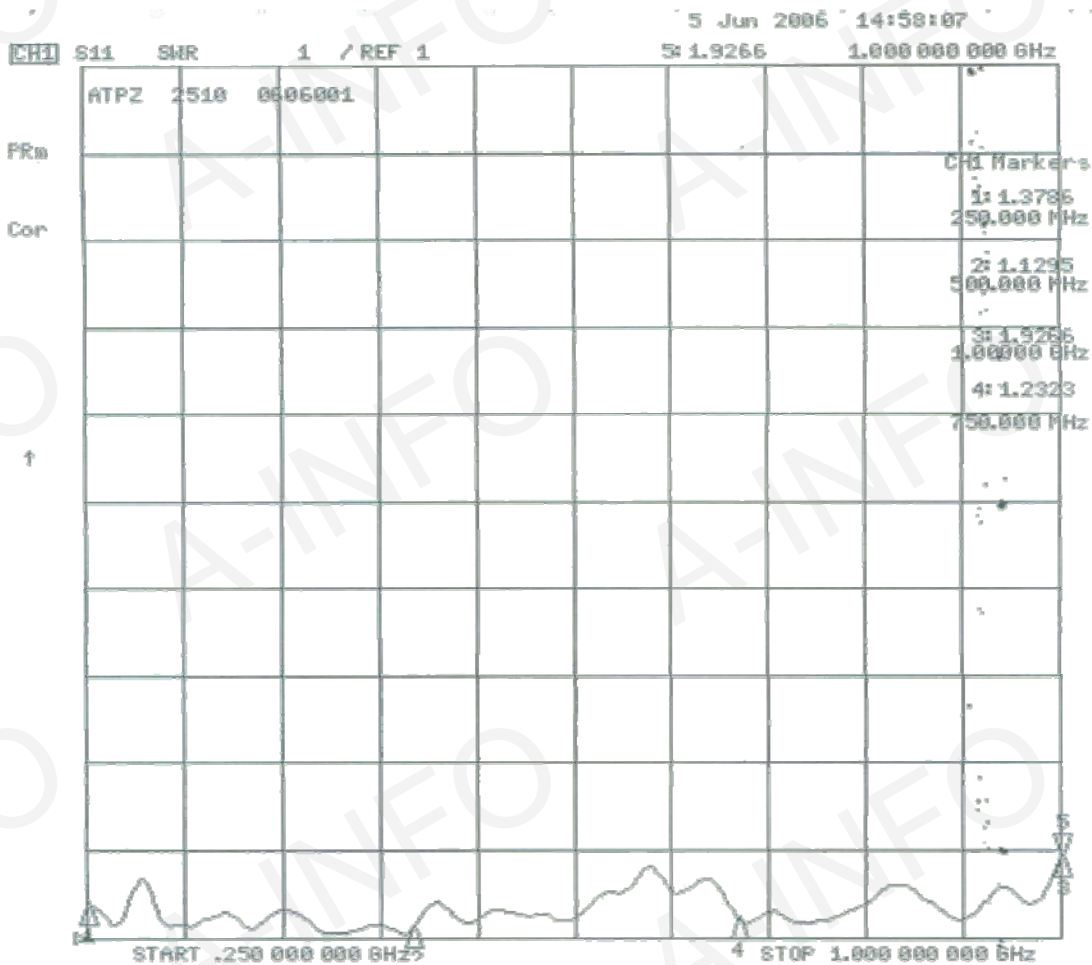


### Test Instruments

- AV1487B
- HP8592L
- HP8720D

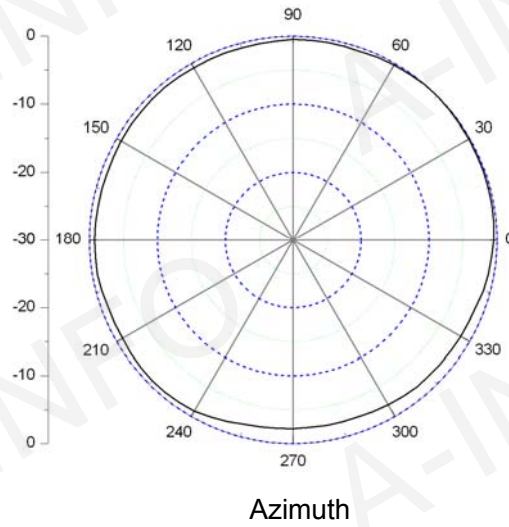
### Test Results

#### 1. VSWR

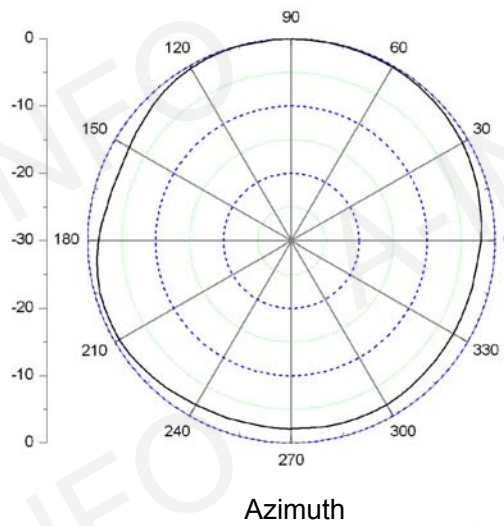


### 3. Pattern

Frequency: 250MHz



Frequency: 500MHz



Frequency: 1000MHz

