



Test report is for reference only.

TEST REPORT
for
PZ-2040/P

Technical Specification

Frequency Range	VSWR(Typ.)	Power CW	Connector
200-400MHz	2.5:1	300W	N-Female

Test Instruments

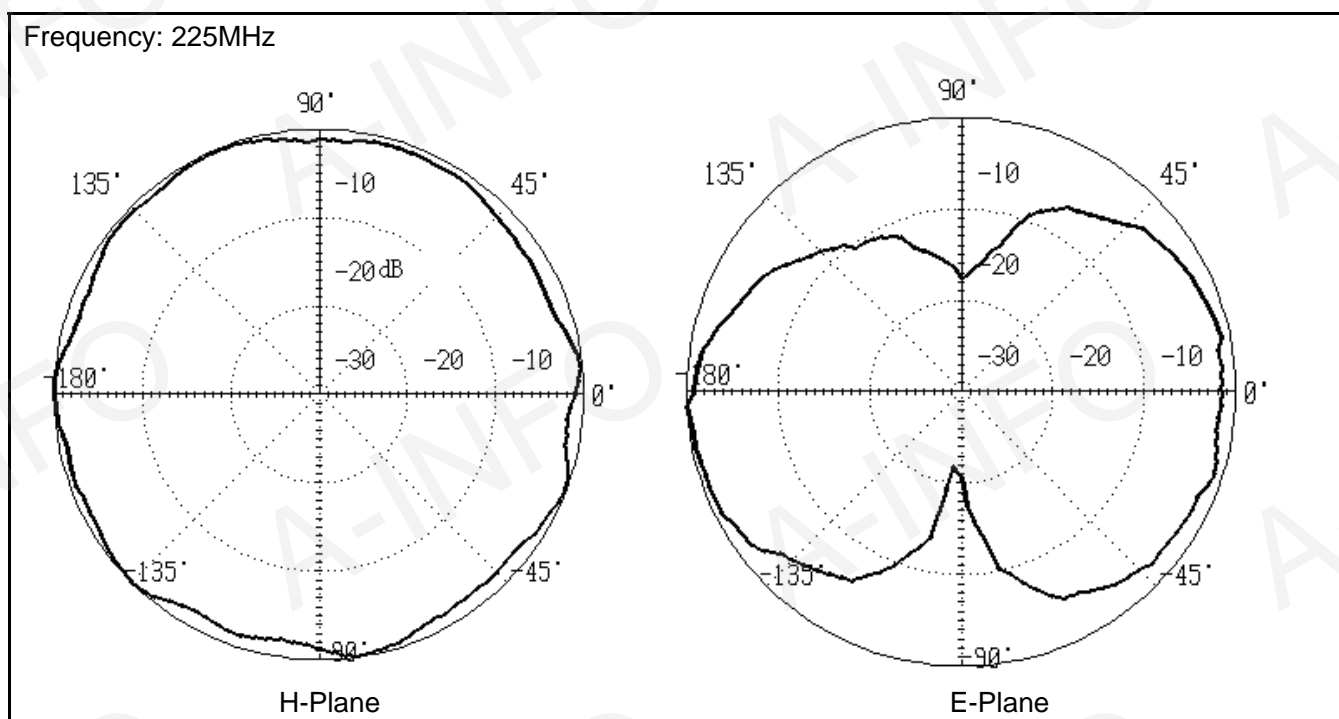
- AV1481C
- AV4033
- HP8720D

Test Result

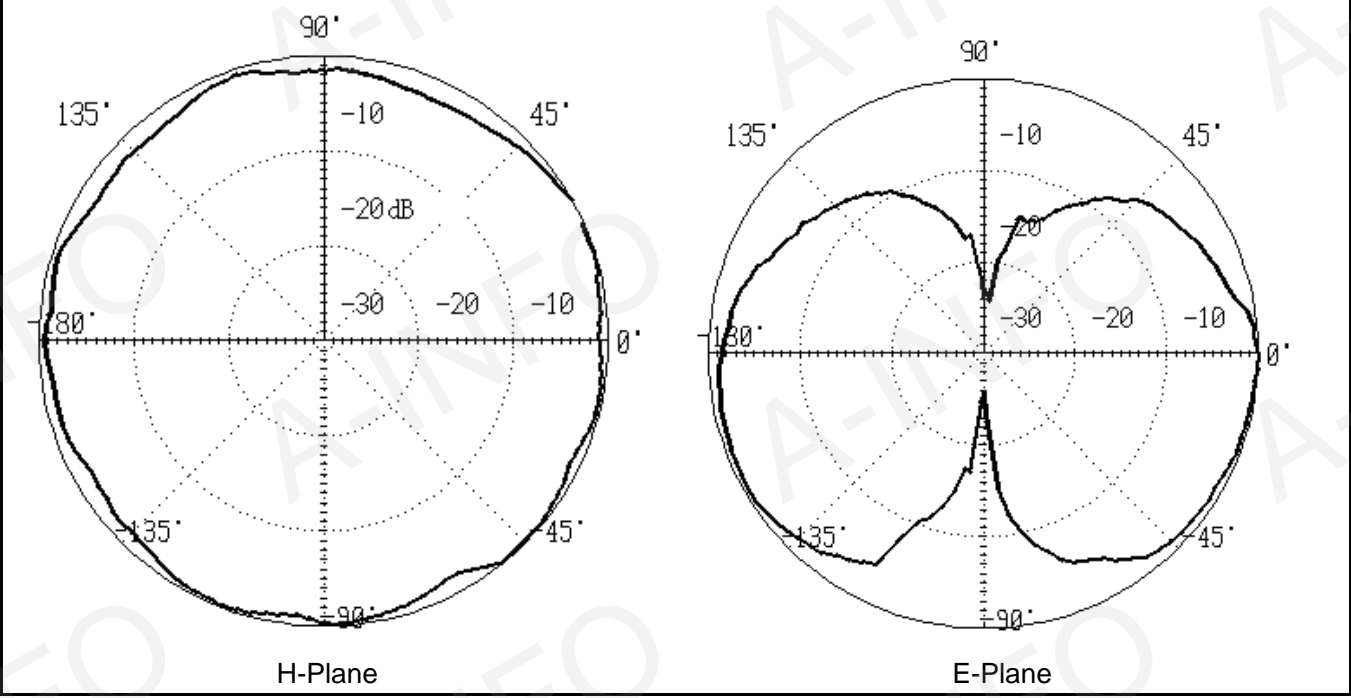
1. Gain

Frequency(MHz)	225	300	400
Gain(dBi)	1.5	1.7	2.0

2. Pattern



Frequency: 300MHz



Frequency: 400MHz

