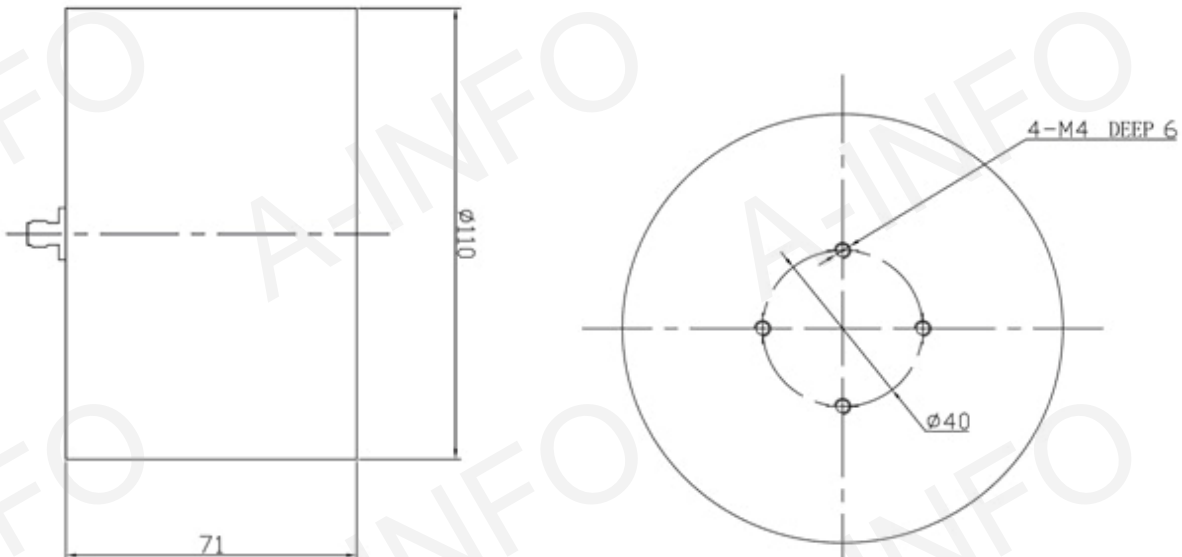


Technical Specification



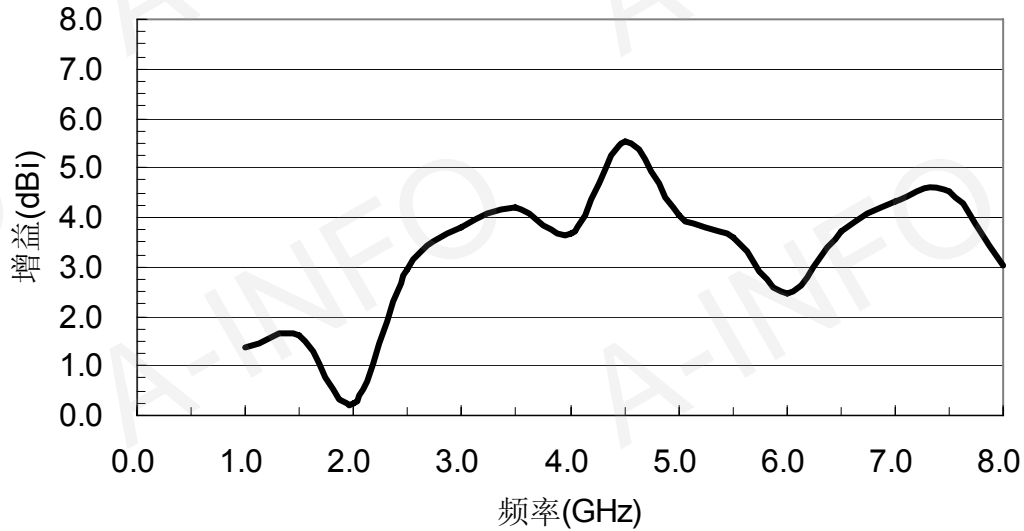
Frequency Range(GHz)	1.0 - 8.0
Gain(dBi)	0 Typ.
Polarization	Linear
VSWR	2.0:1 Typ.
Power(W)	80 CW
Connector	SMA-Female
Size(mm) Φ x H	110 x 71
Net Weight(Kg)	0.5 Around

Outline Drawing (Size: mm)

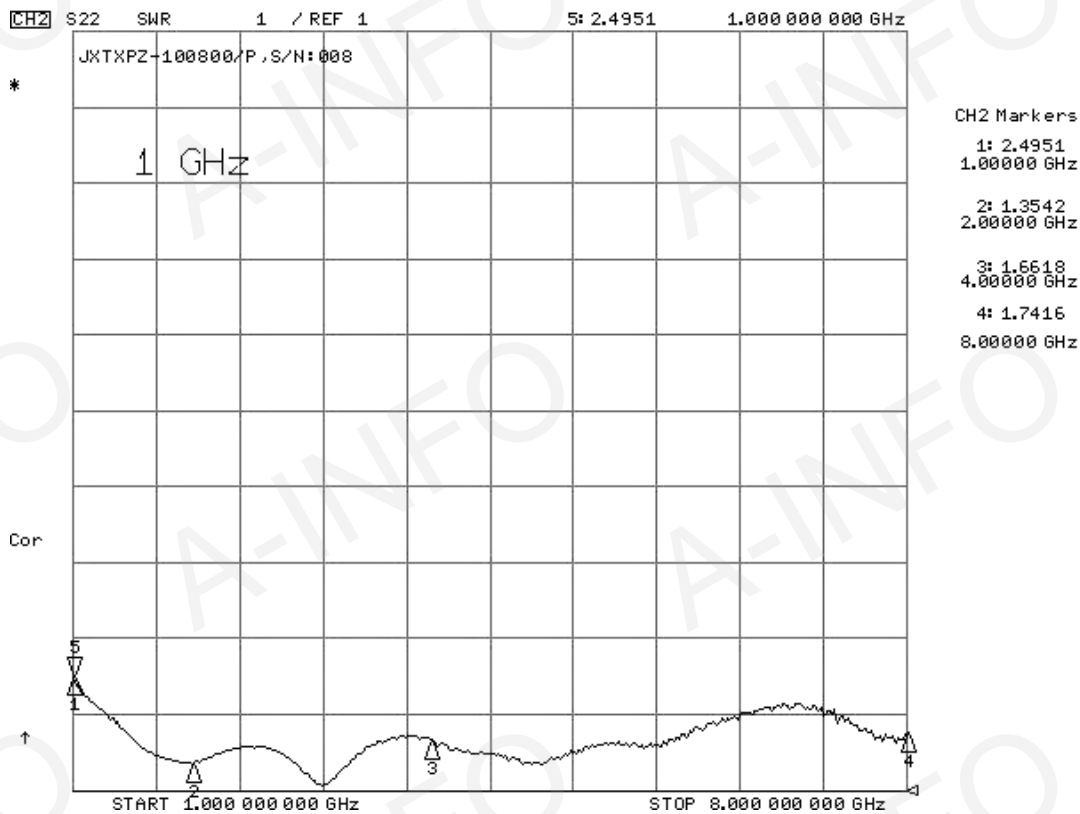


Test Results

1. Gain

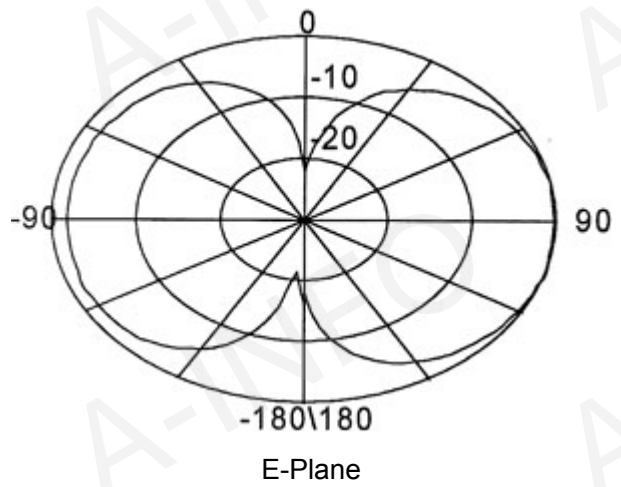
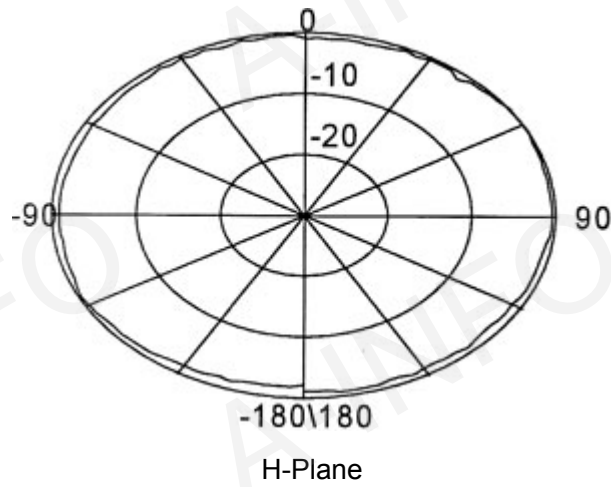


2. VSWR

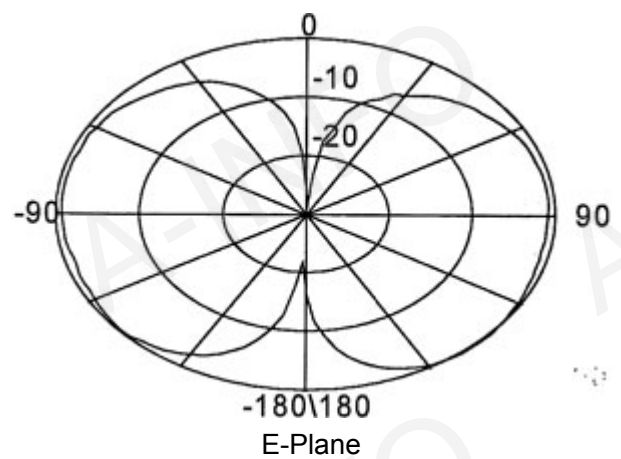
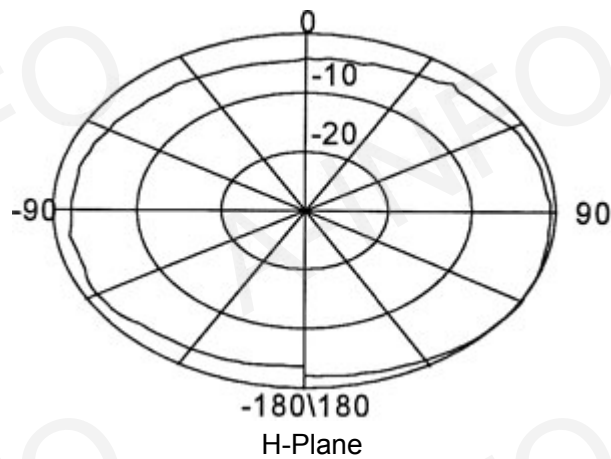


3. Pattern

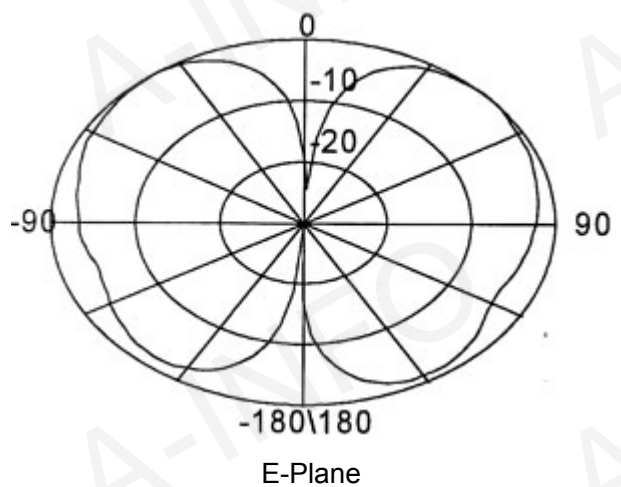
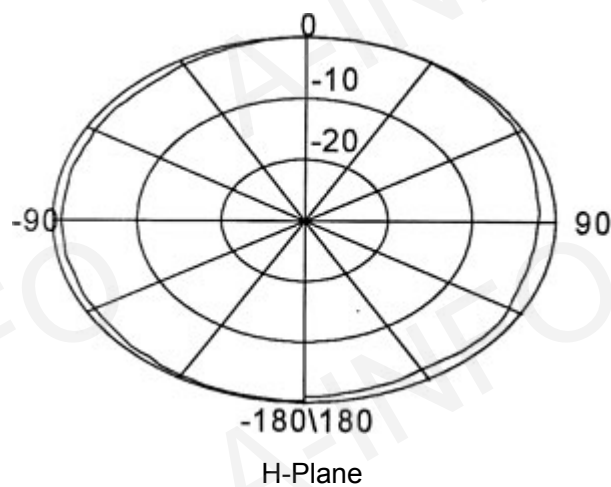
Frequency: 1GHz



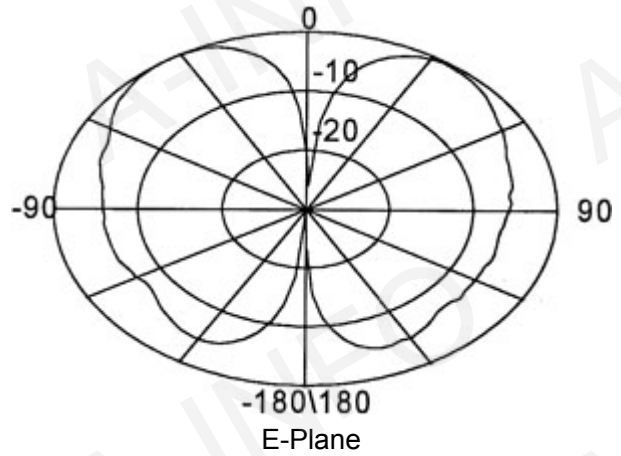
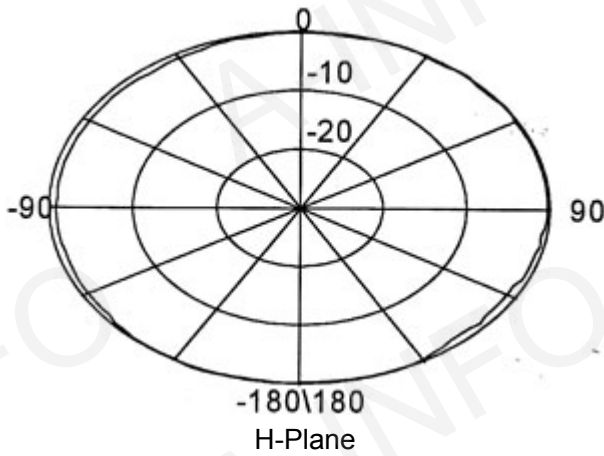
Frequency: 1.5GHz



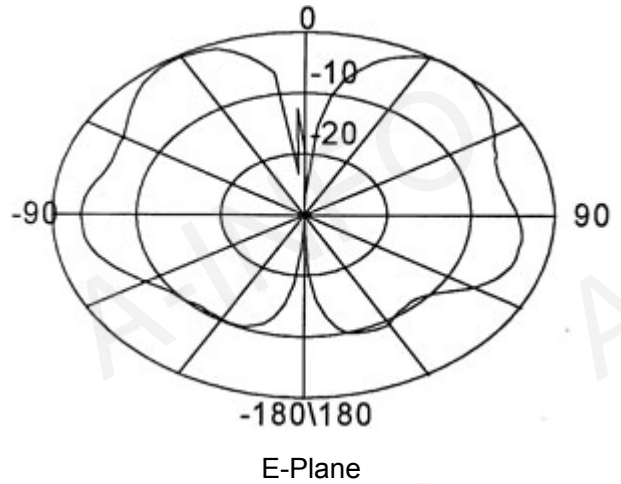
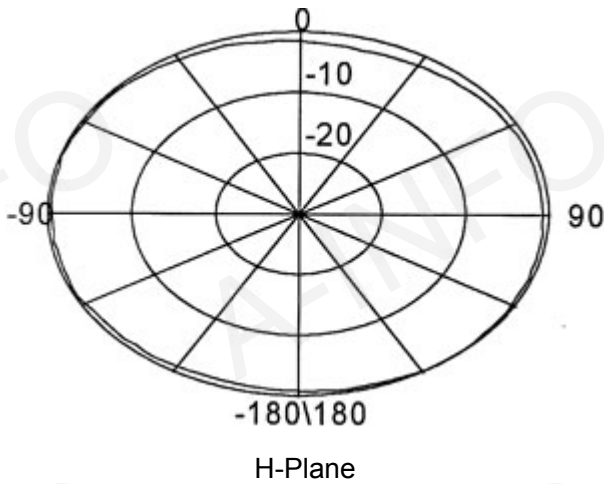
Frequency: 2GHz



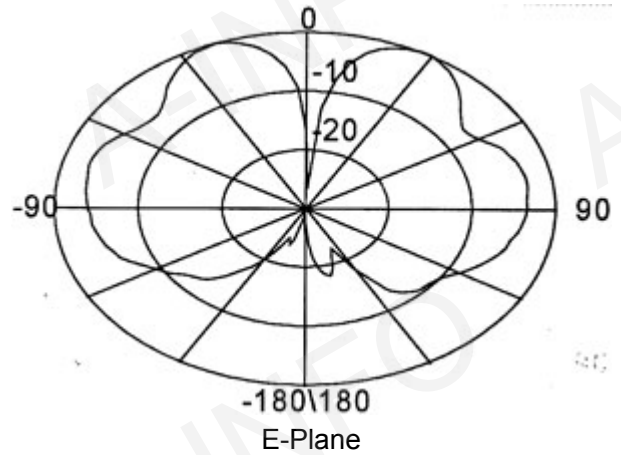
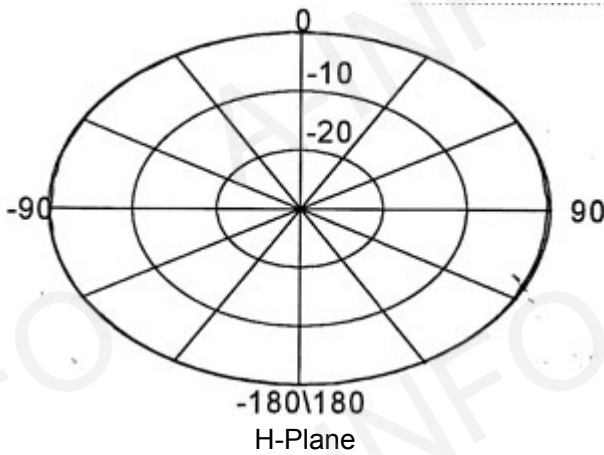
Frequency: 2.5GHz



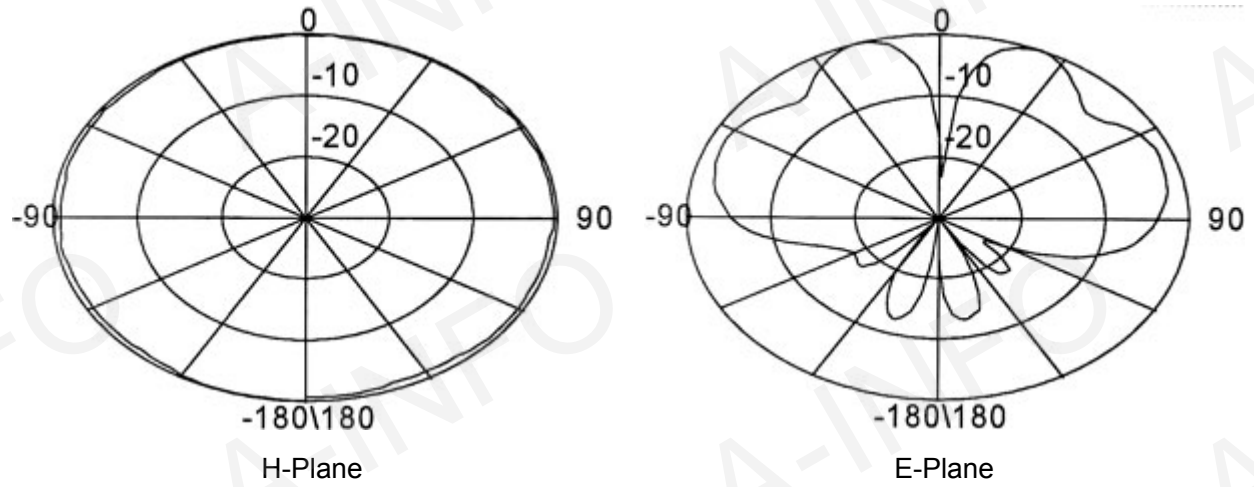
Frequency: 3GHz



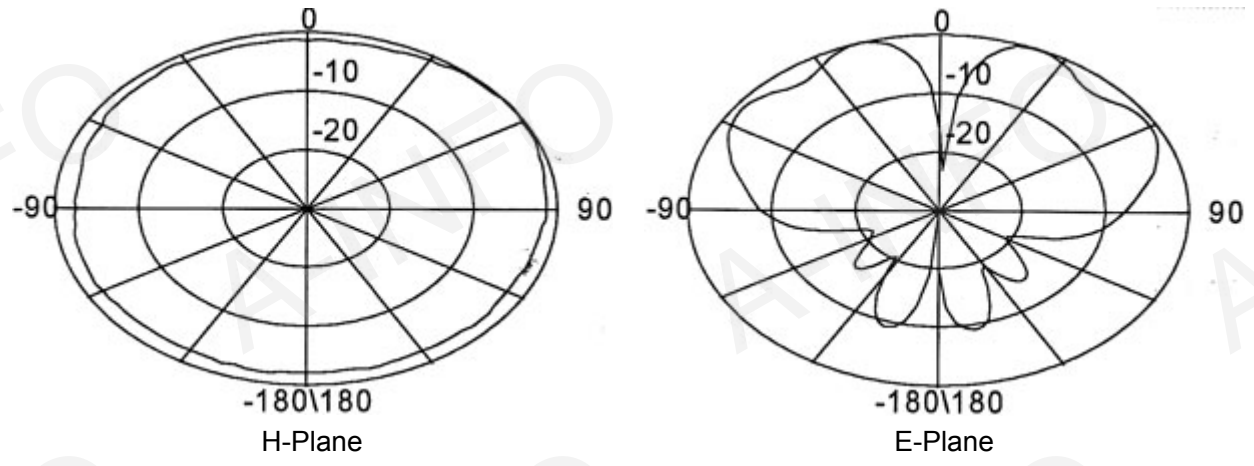
Frequency: 3.5GHz



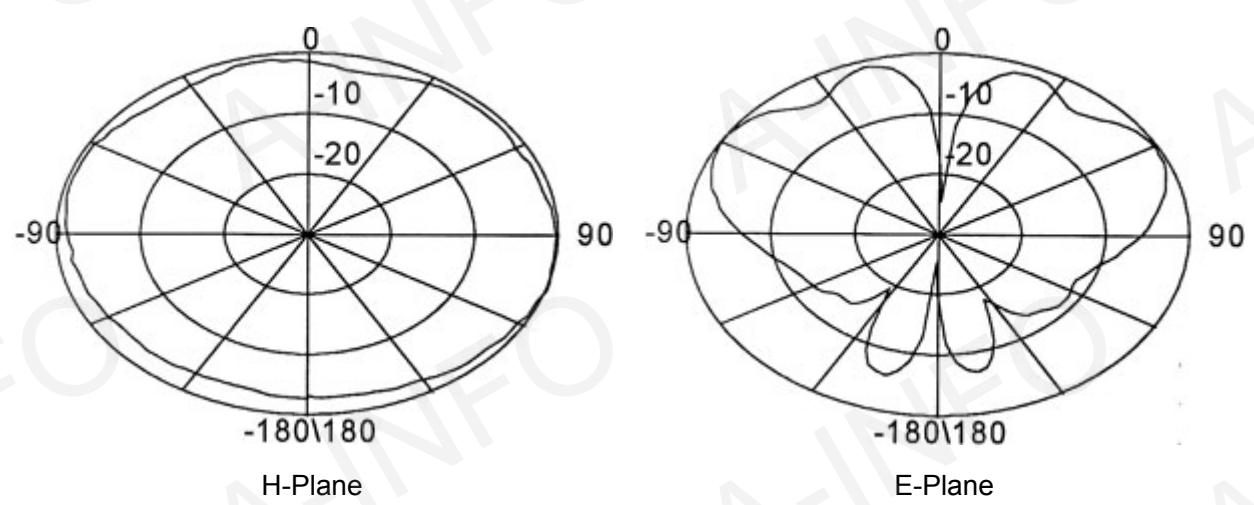
Frequency: 4GHz



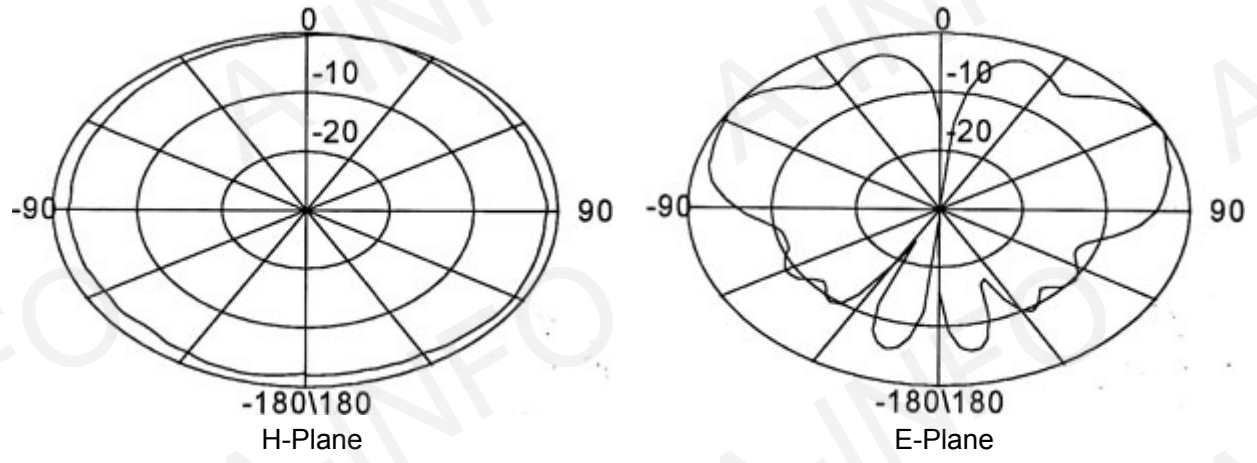
Frequency: 4.5GHz



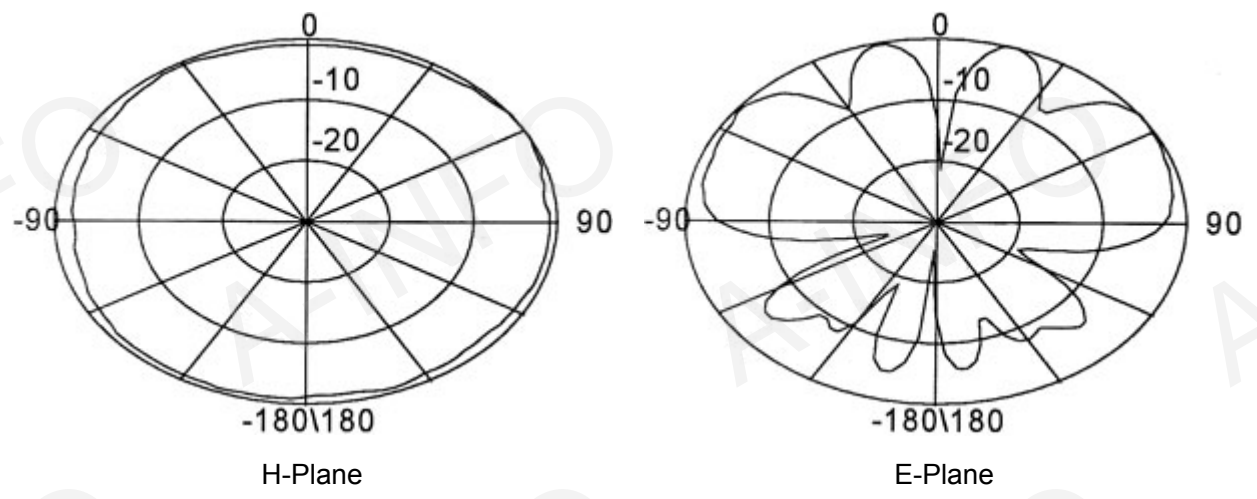
Frequency: 5GHz



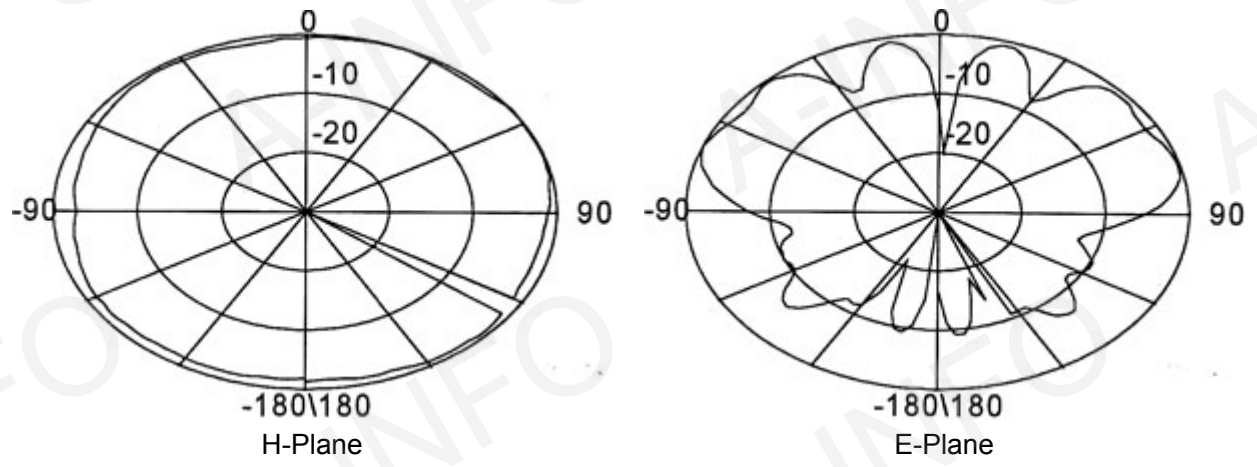
Frequency: 5.5GHz



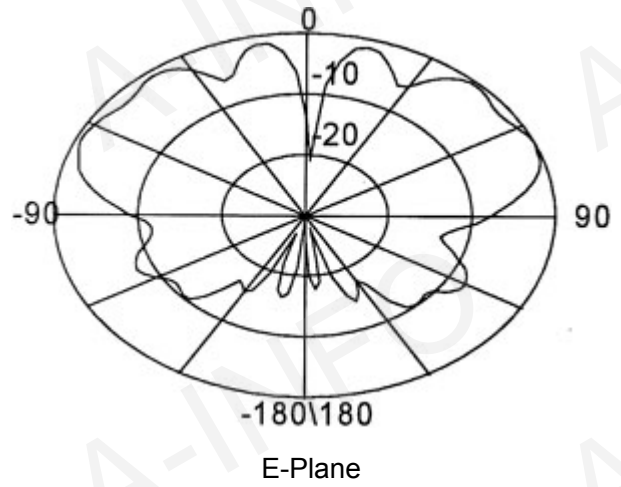
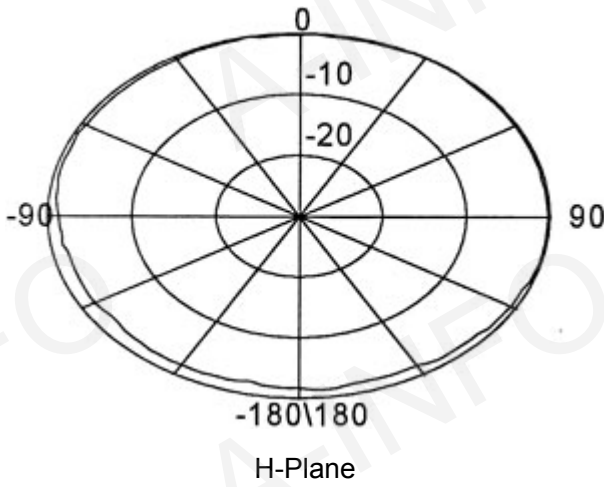
Frequency: 6GHz



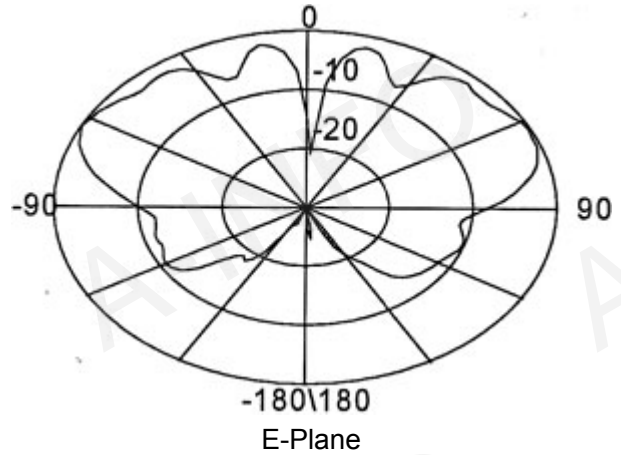
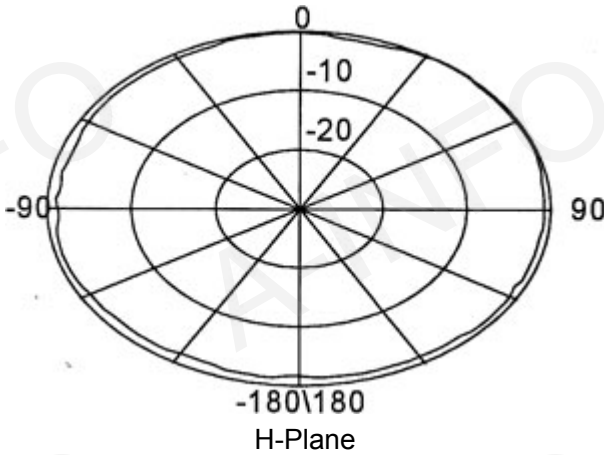
Frequency: 6.5GHz



Frequency: 7GHz



Frequency: 7.5GHz



Frequency: 8GHz

