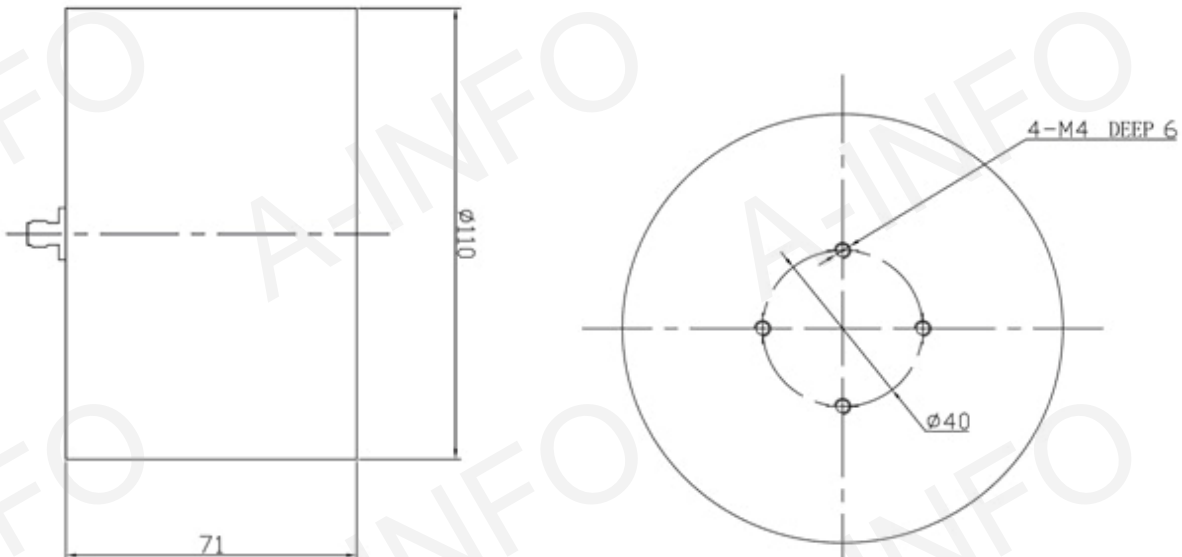


## Technical Specification



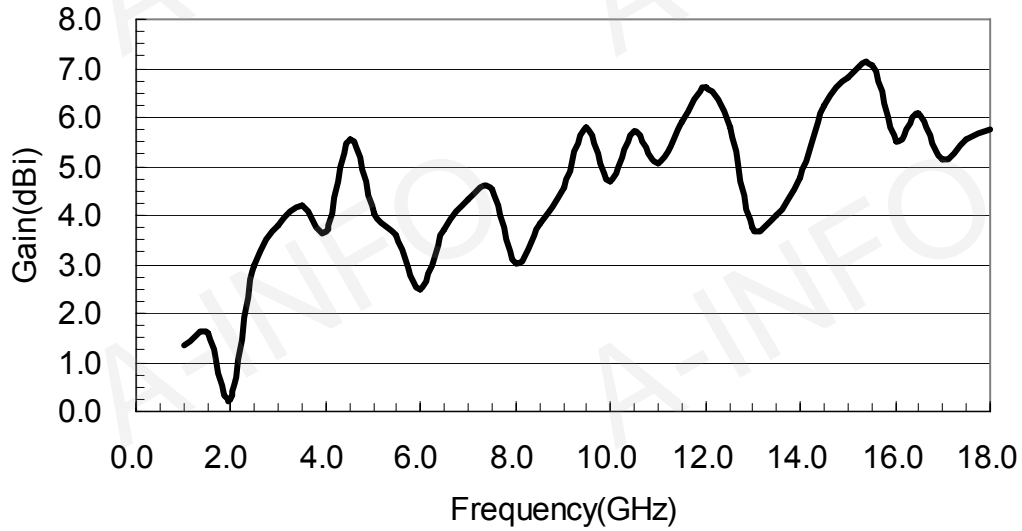
Frequency Range(GHz)	1.0 - 18.0
Gain(dBi)	0 Typ.
Polarization	Linear
VSWR	2.0:1 Typ.
Power(W)	80 CW
Connector	SMA-Female
Size(mm) $\Phi$ x H	110 x 71
Net Weight(Kg)	0.5 Around

## Outline Drawing (Size: mm)

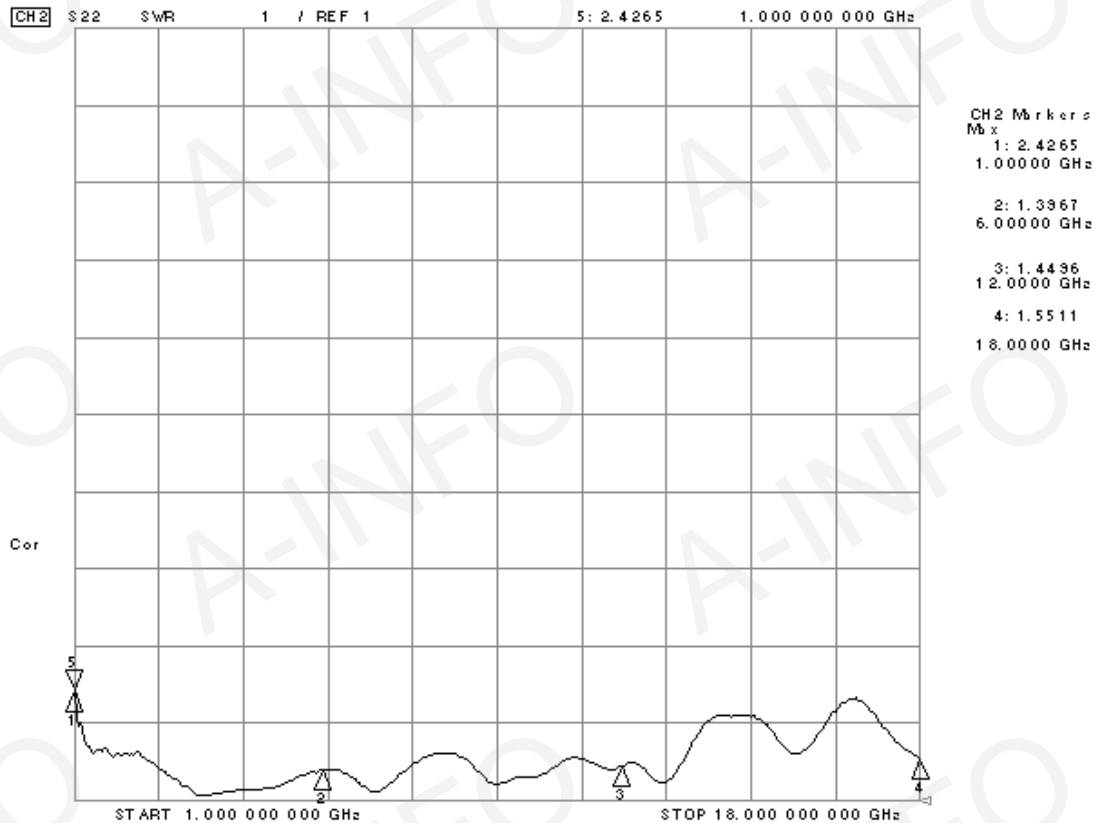


## Test Results

### 1. Gain

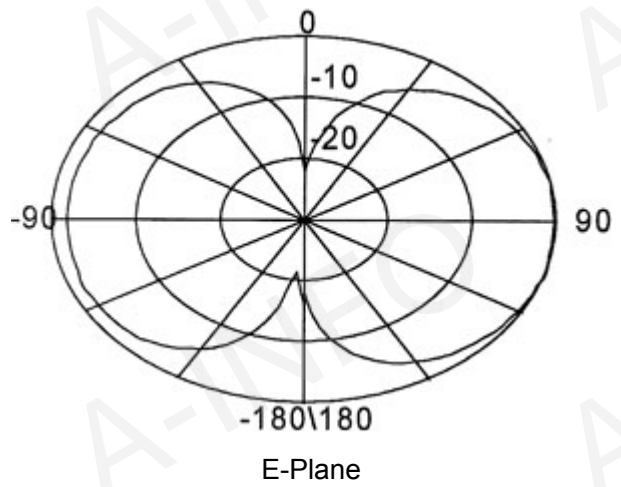
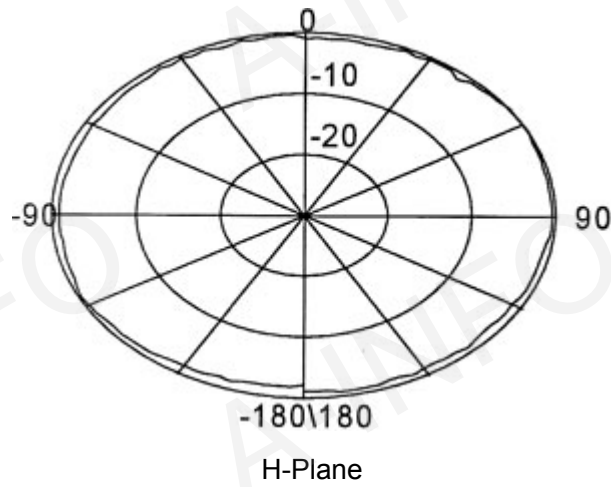


### 2. VSWR

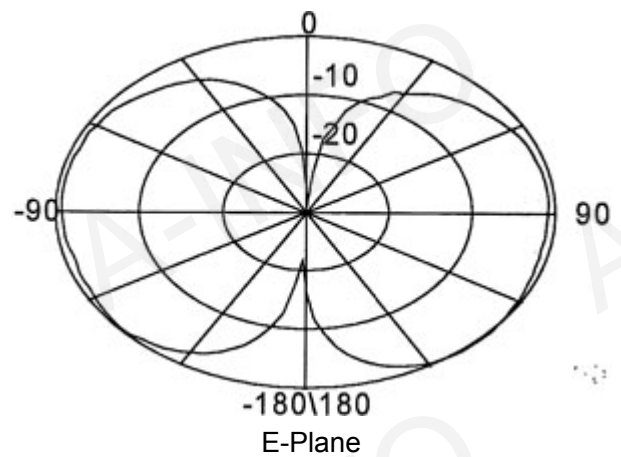
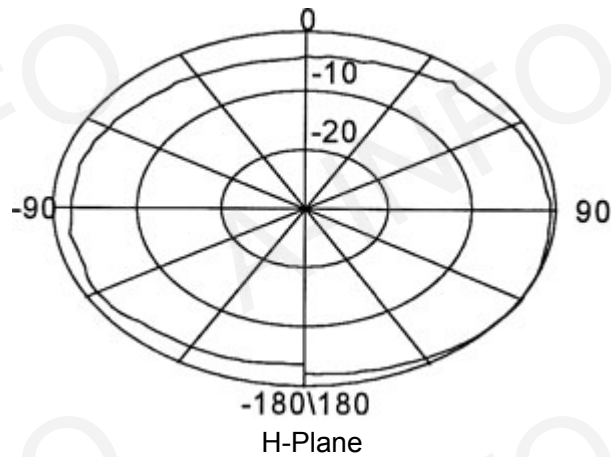


### 3. Pattern

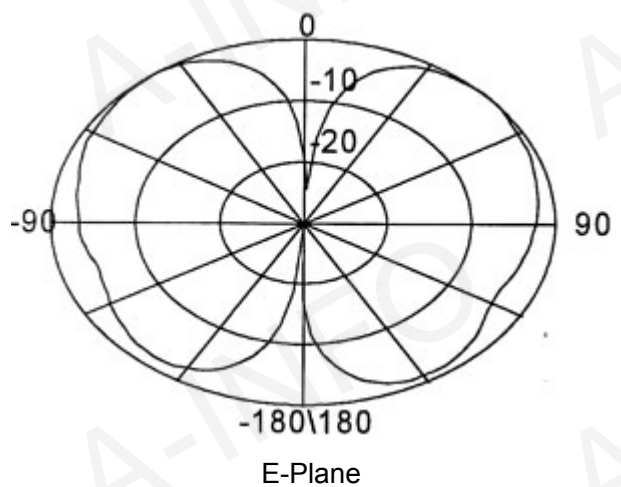
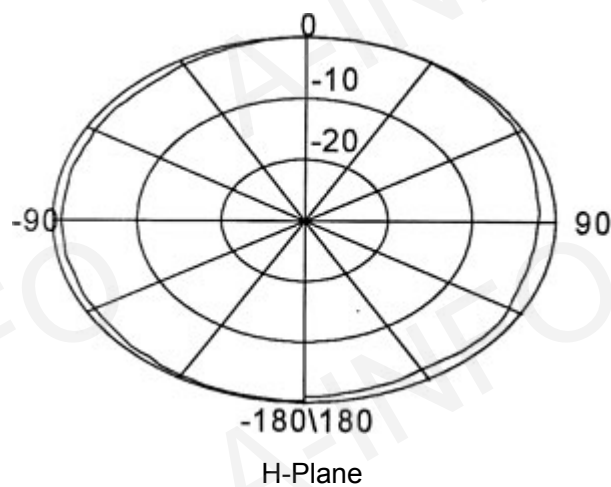
Frequency: 1GHz



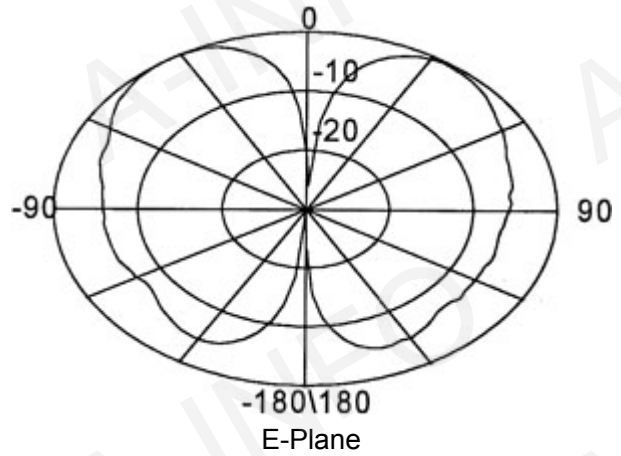
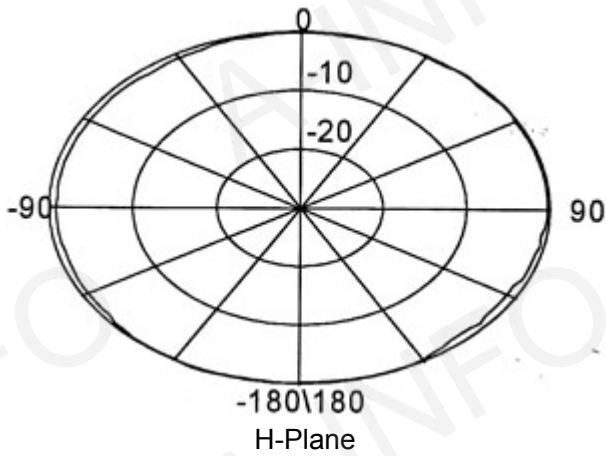
Frequency: 1.5GHz



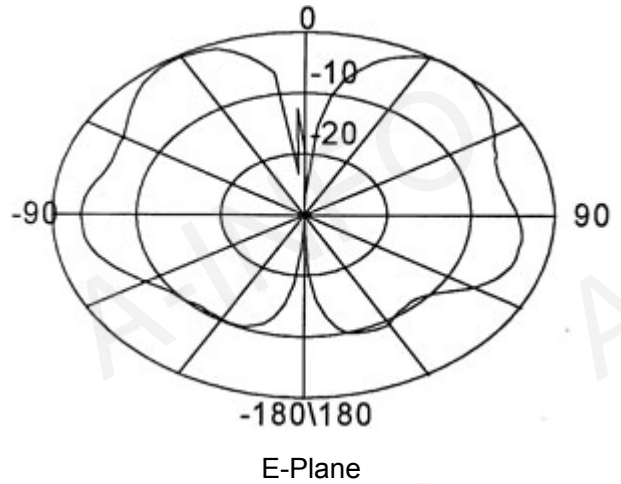
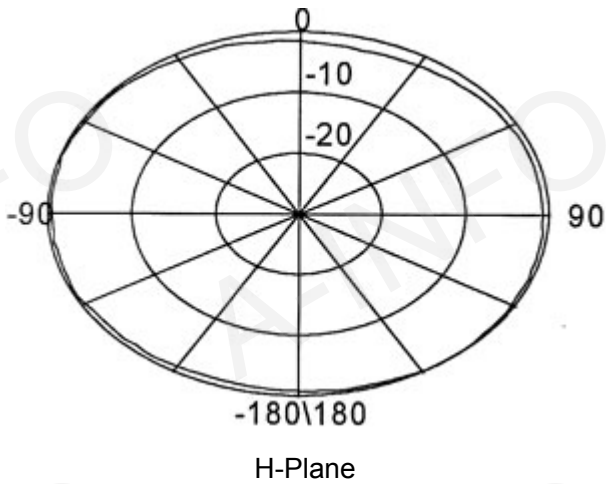
Frequency: 2GHz



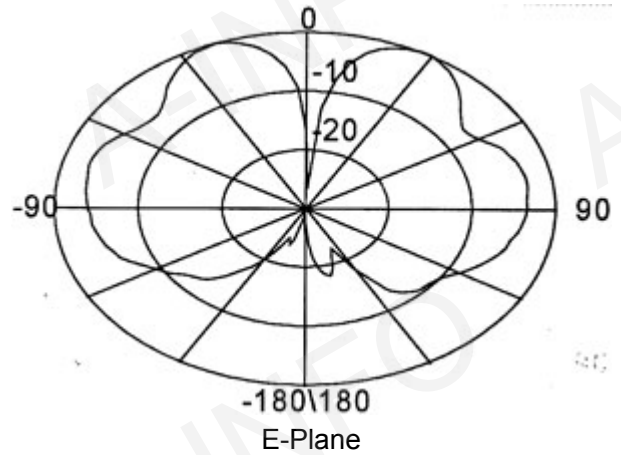
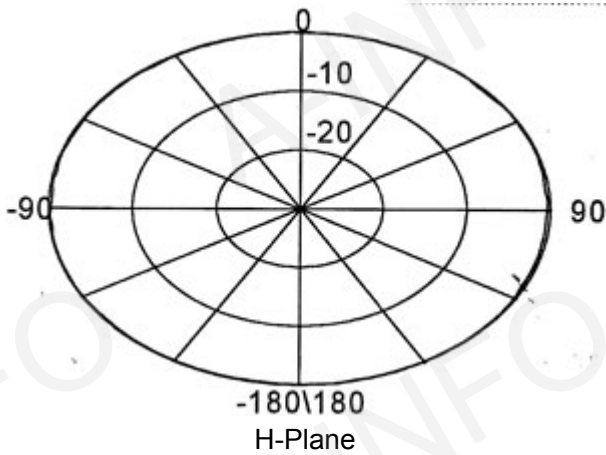
Frequency: 2.5GHz



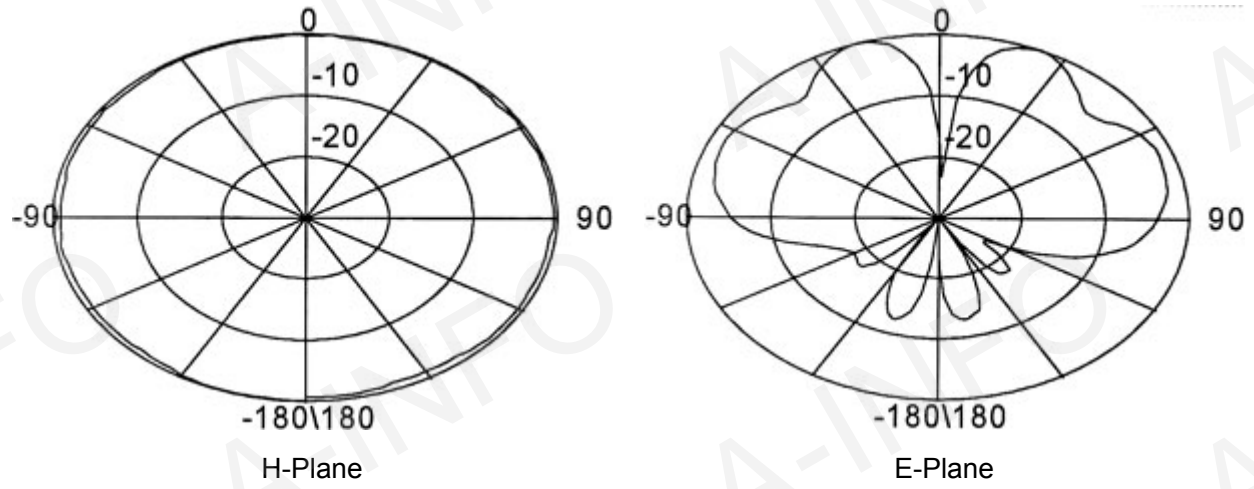
Frequency: 3GHz



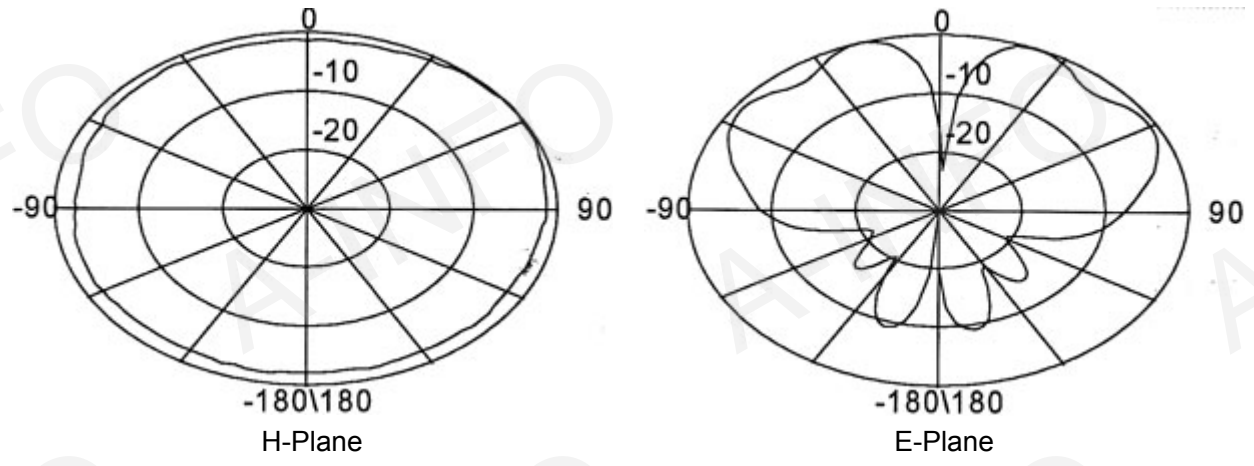
Frequency: 3.5GHz



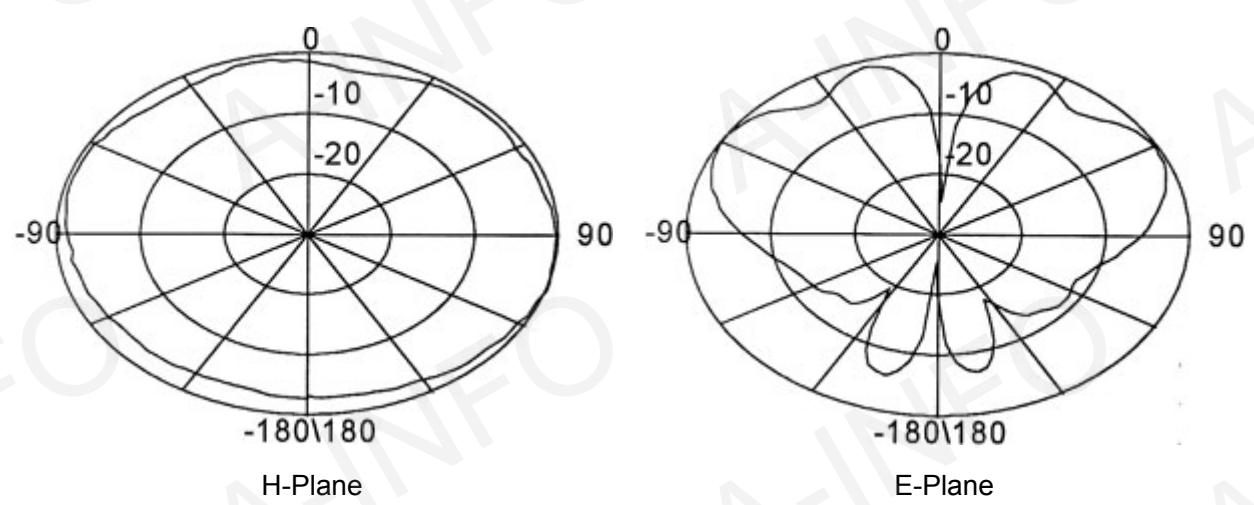
Frequency: 4GHz



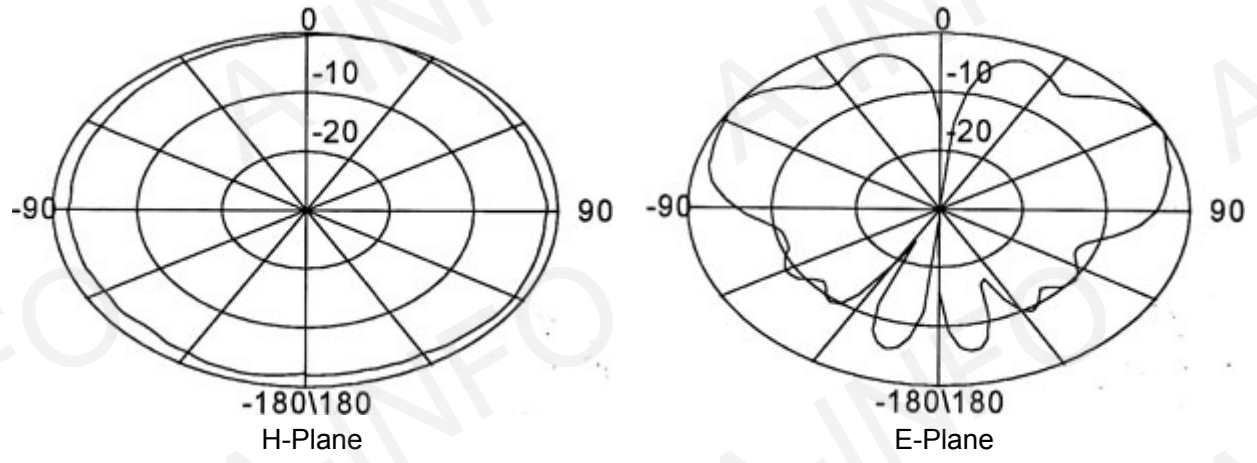
Frequency: 4.5GHz



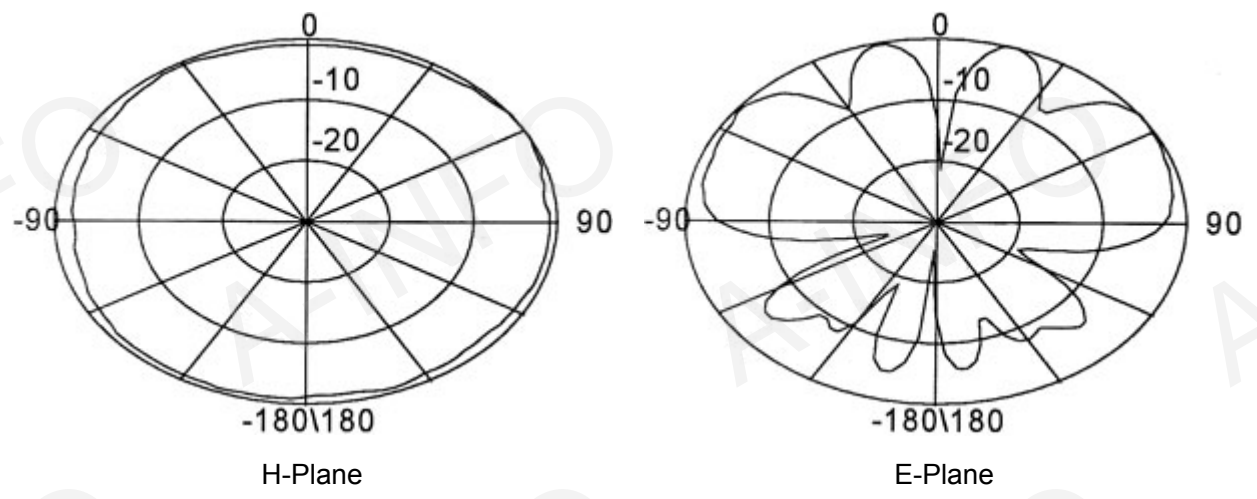
Frequency: 5GHz



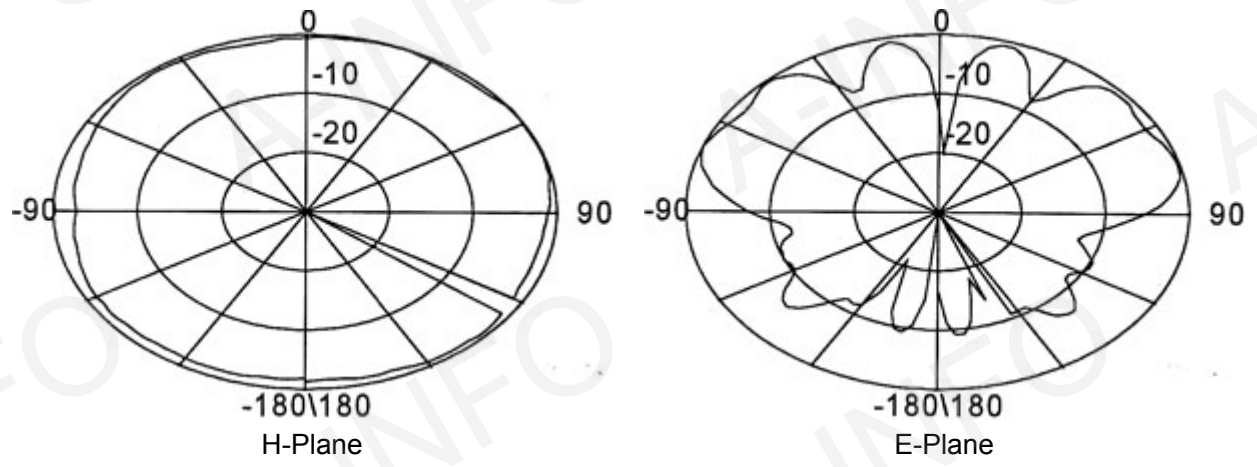
Frequency: 5.5GHz



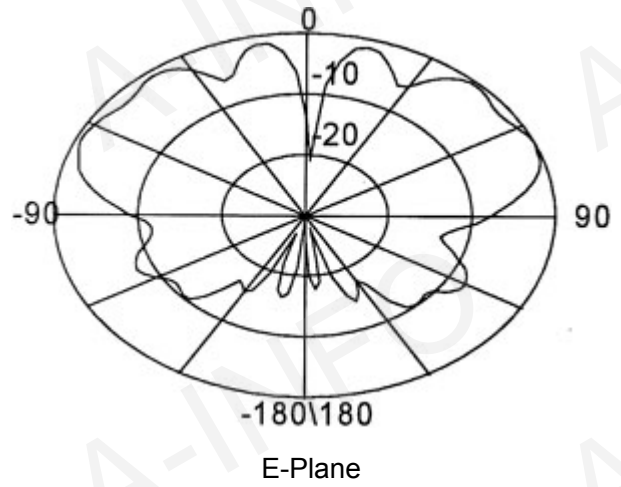
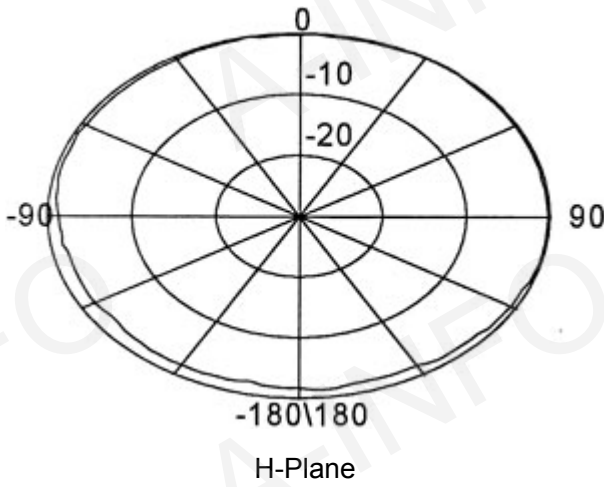
Frequency: 6GHz



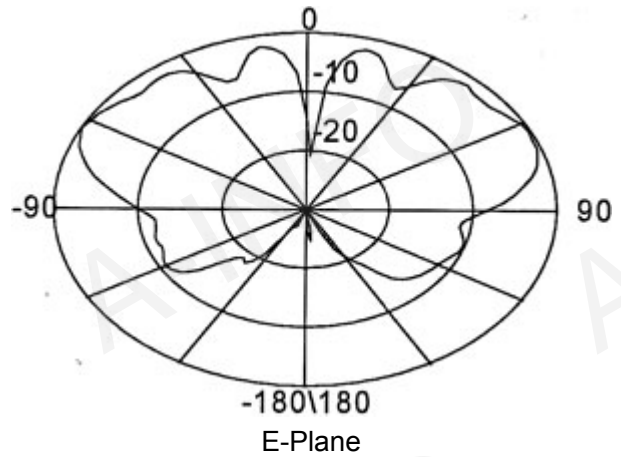
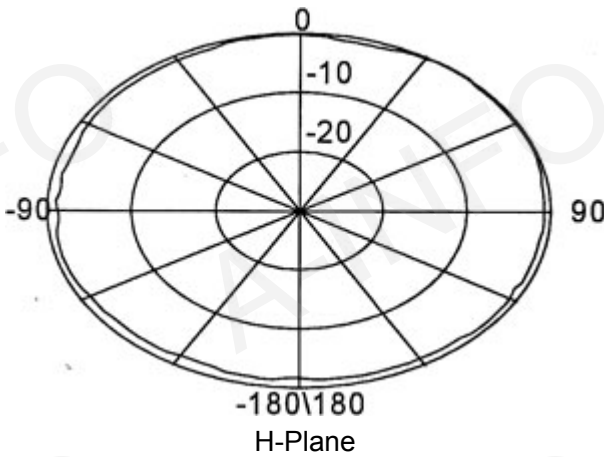
Frequency: 6.5GHz



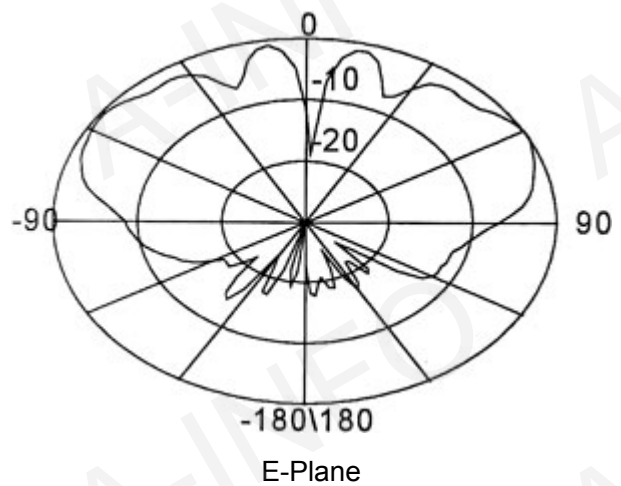
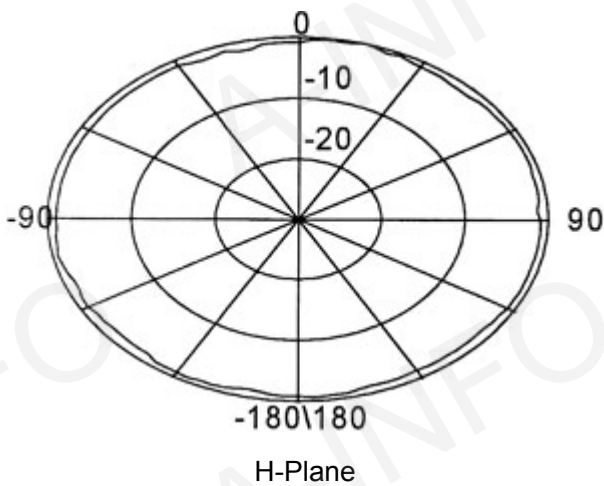
Frequency: 7GHz



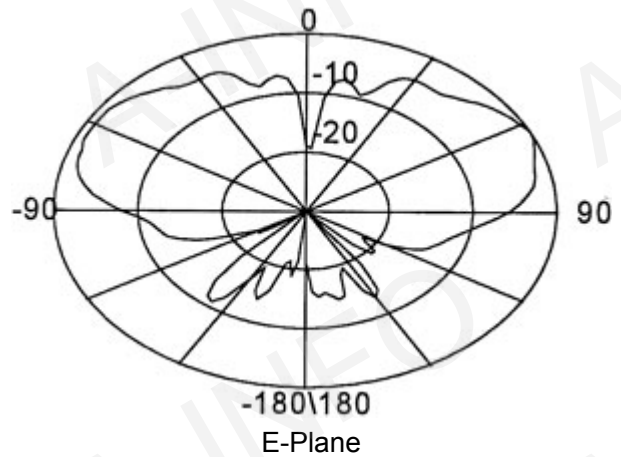
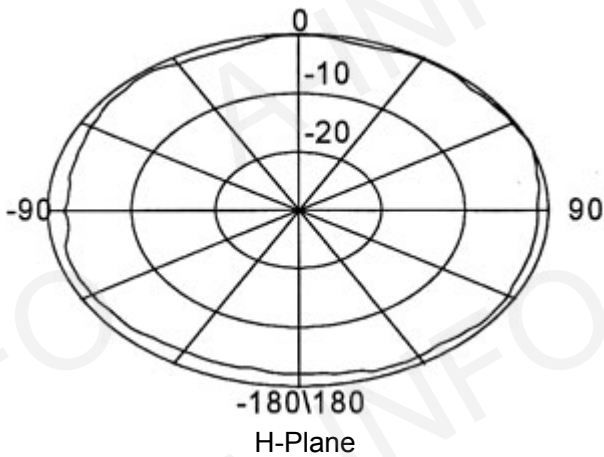
Frequency: 7.5GHz



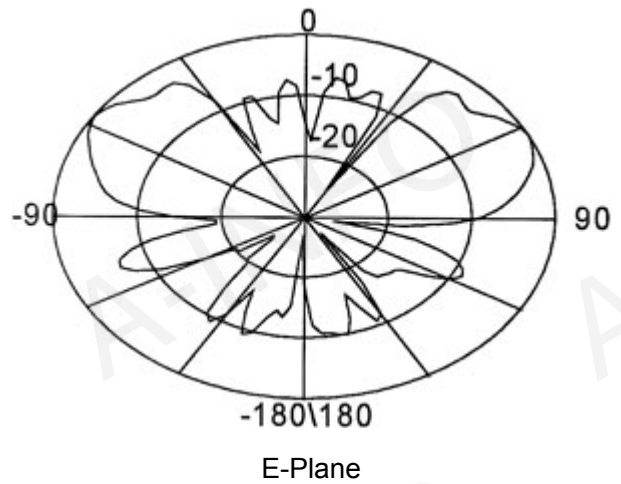
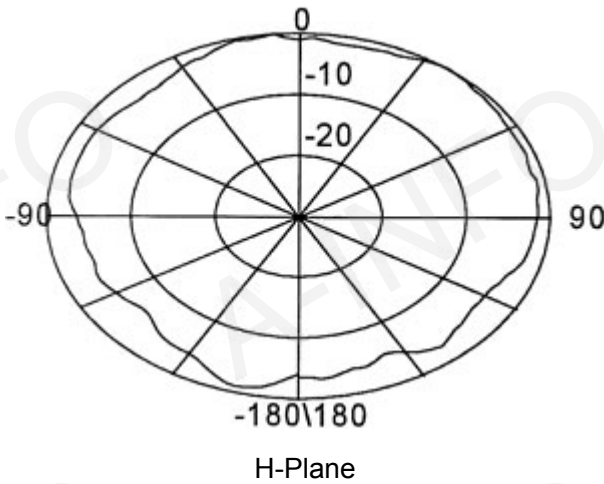
Frequency: 8GHz



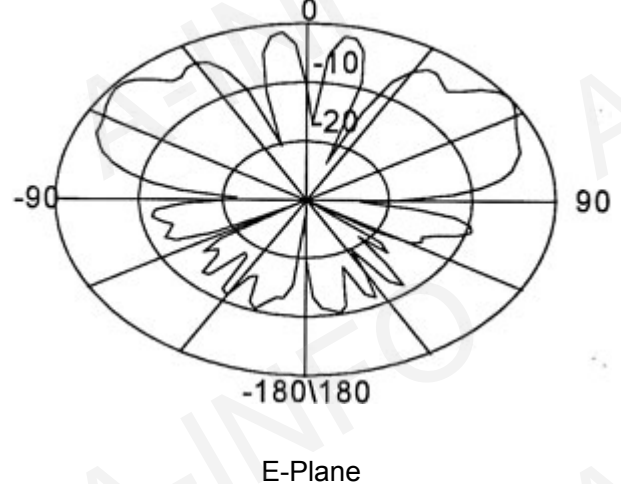
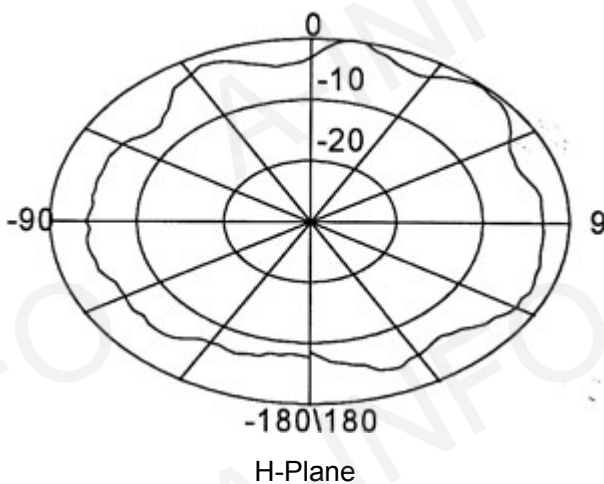
Frequency: 8.5GHz



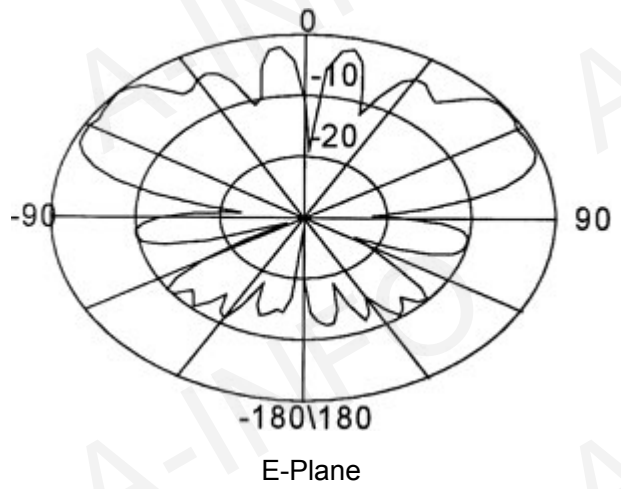
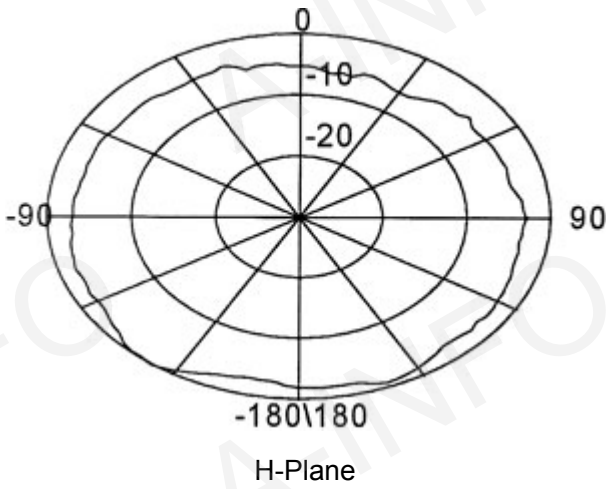
Frequency: 9GHz



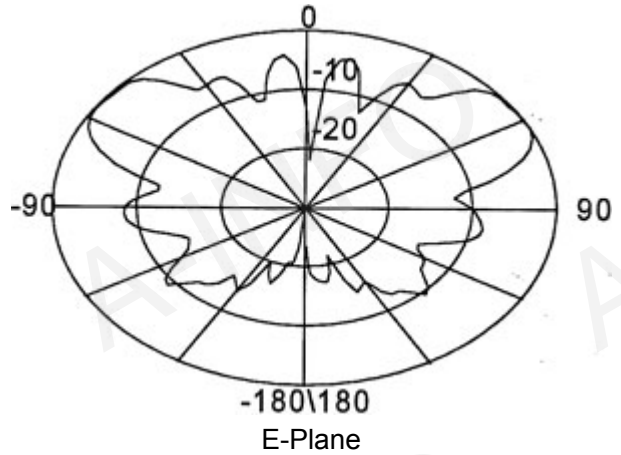
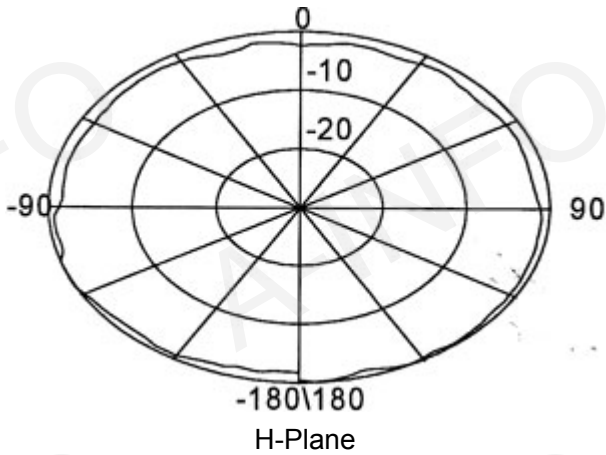
Frequency: 9.5GHz



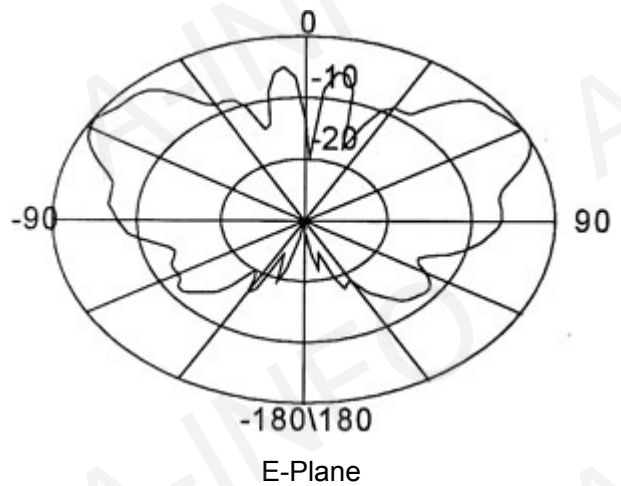
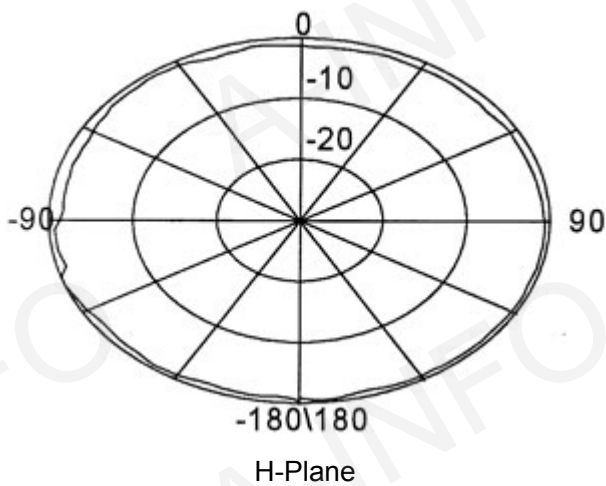
Frequency: 10GHz



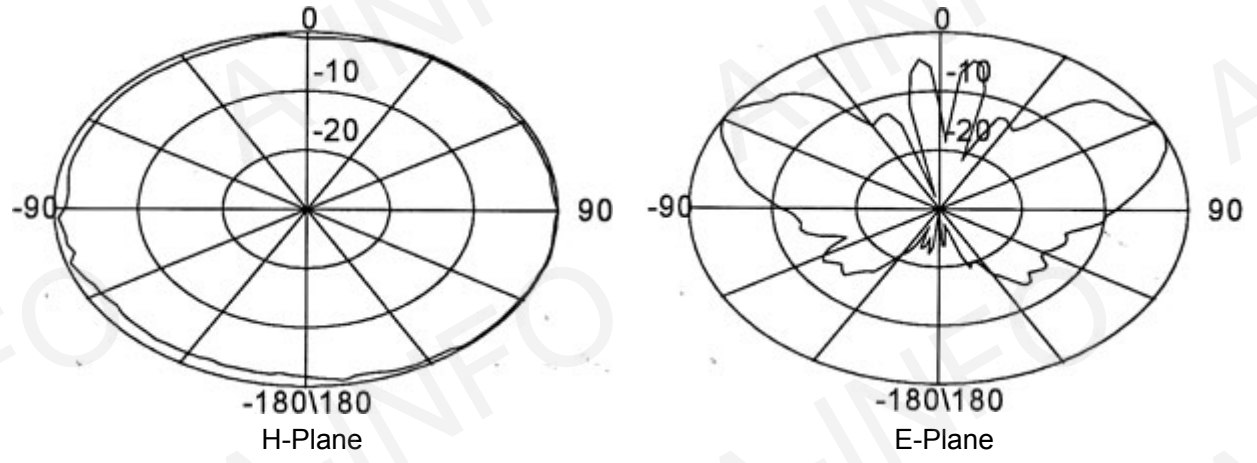
Frequency: 10.5GHz



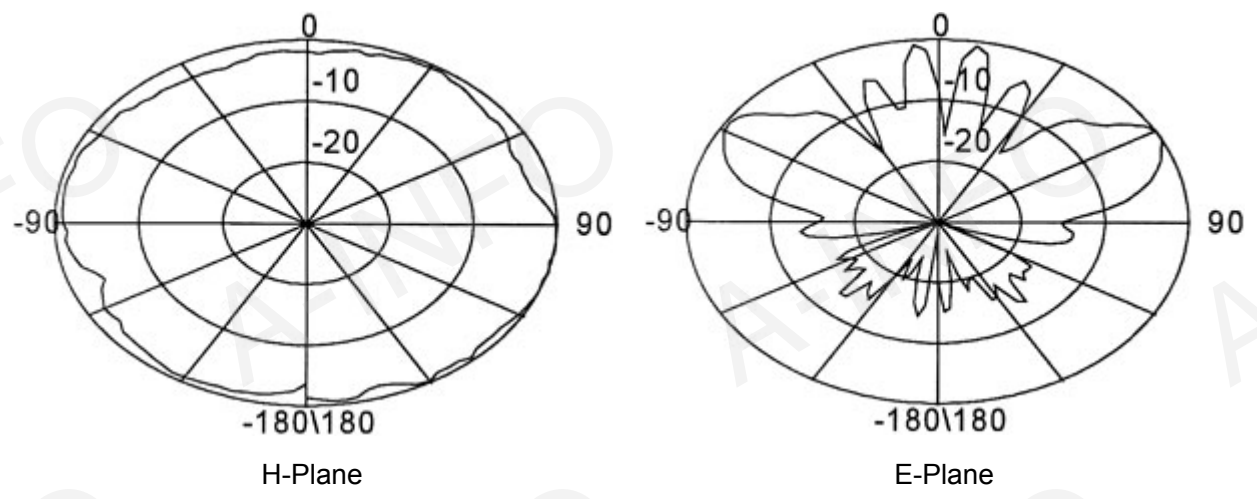
Frequency: 11GHz



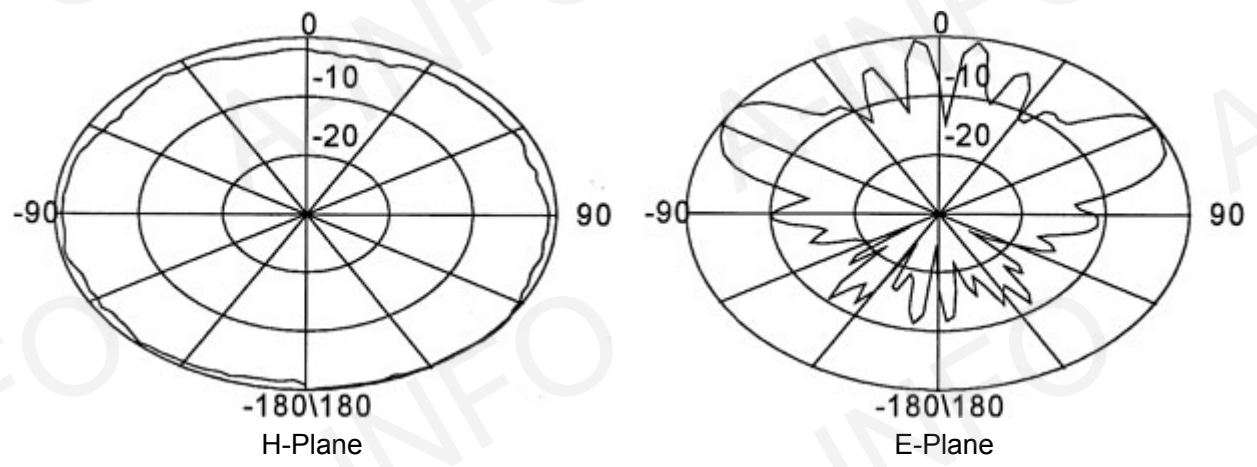
Frequency: 11.5GHz



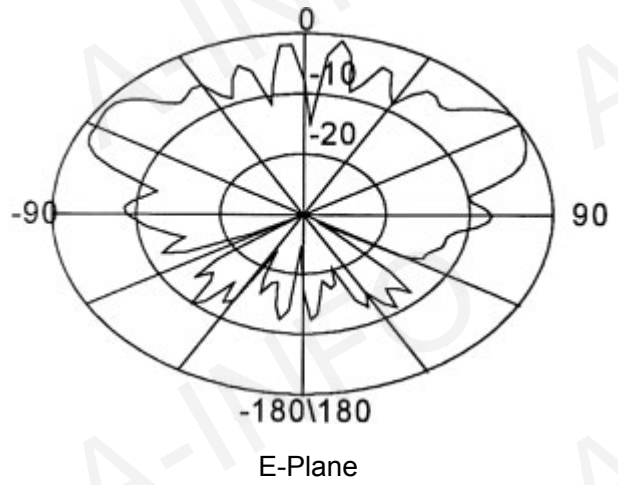
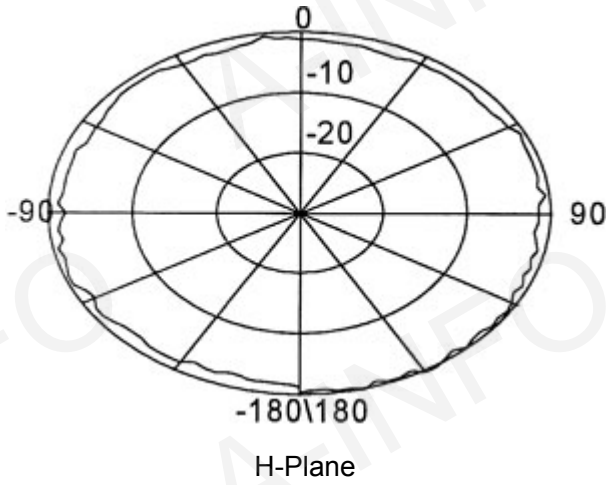
Frequency: 12GHz



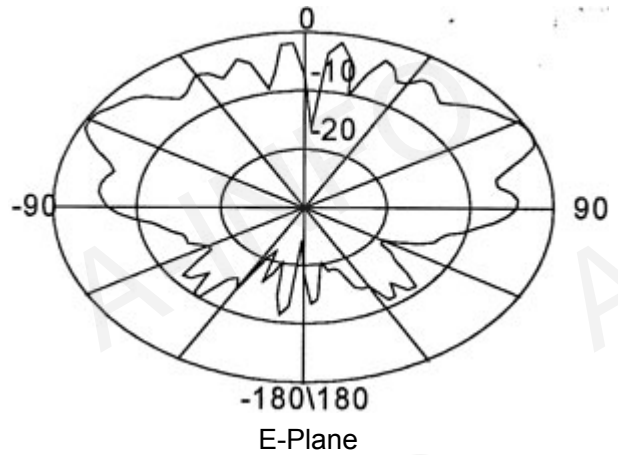
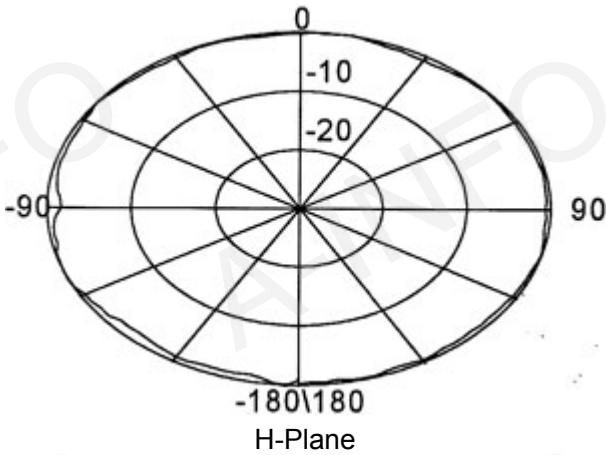
Frequency: 12.5GHz



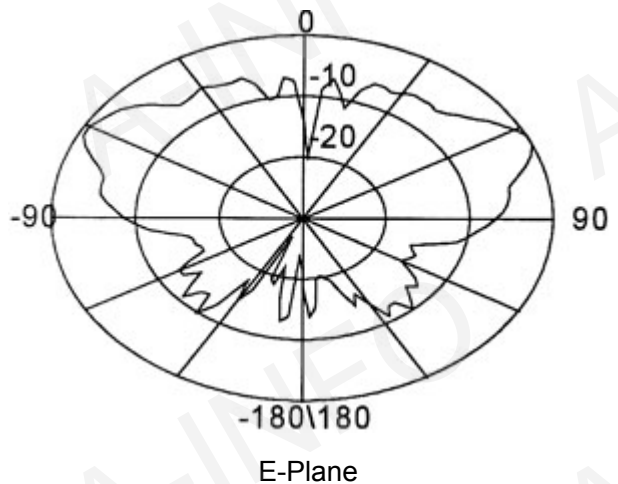
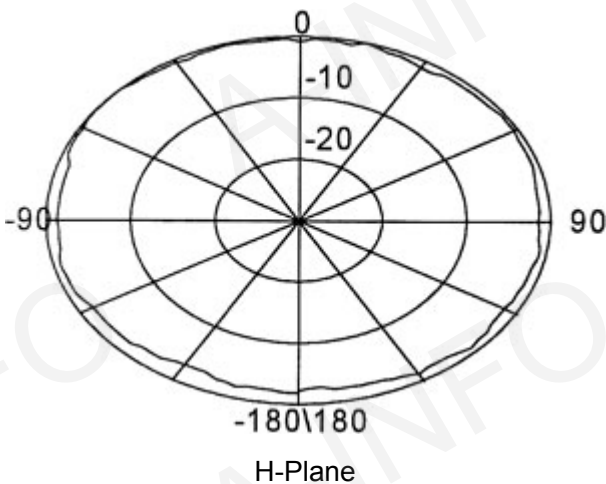
Frequency: 13GHz



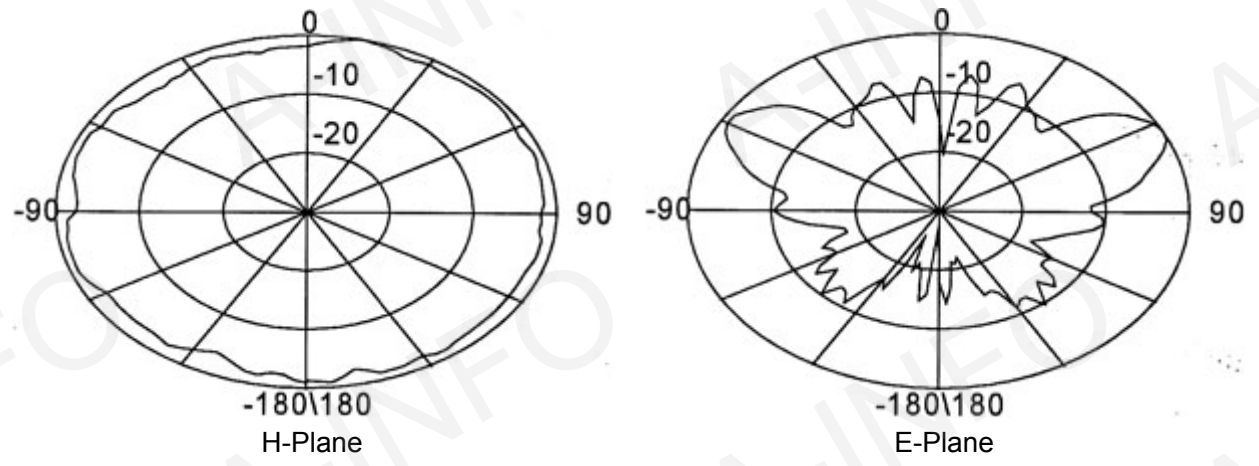
Frequency: 13.5GHz



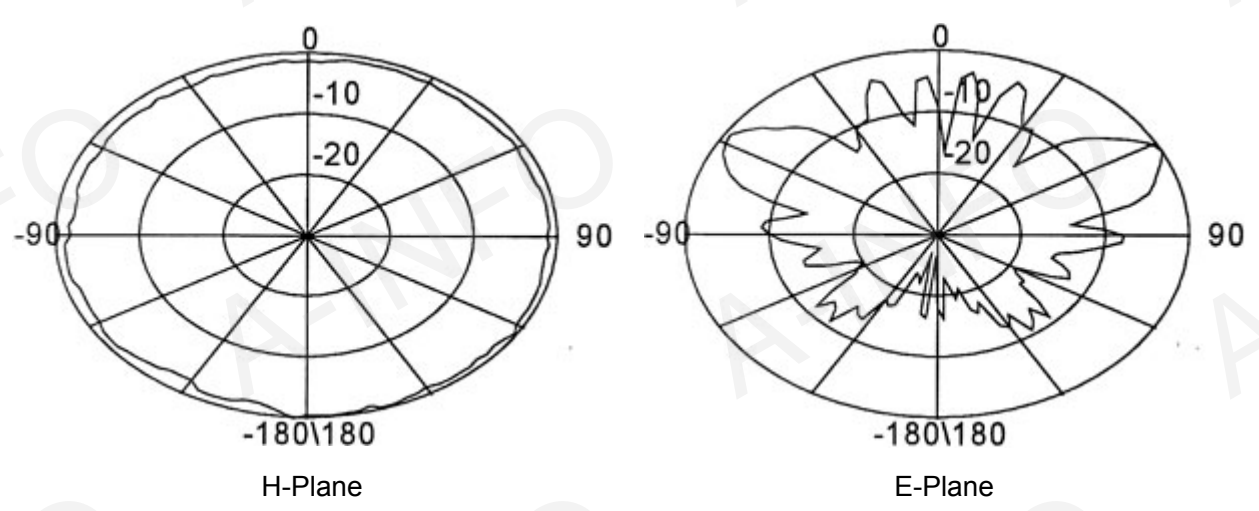
Frequency: 14GHz



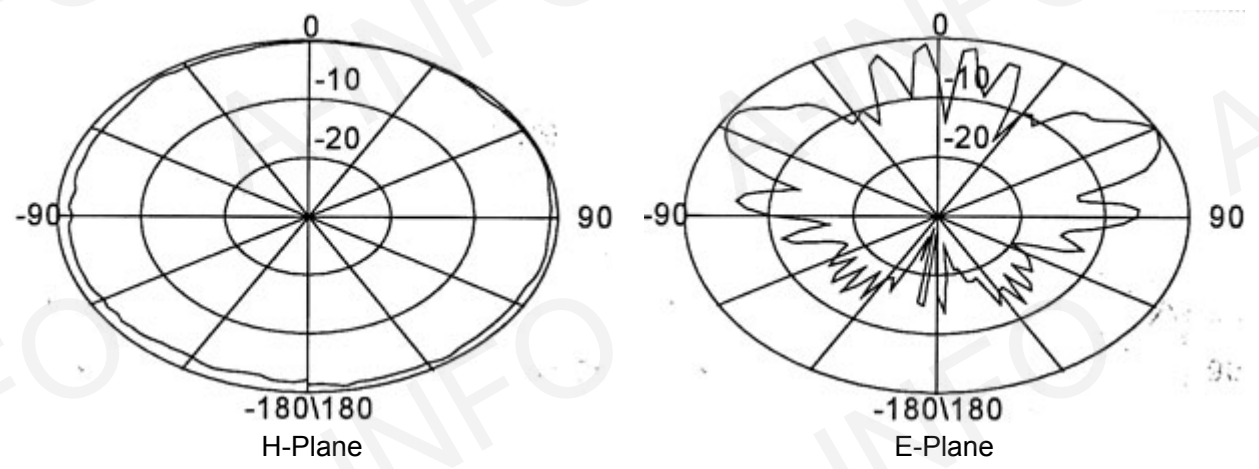
Frequency: 14.5GHz



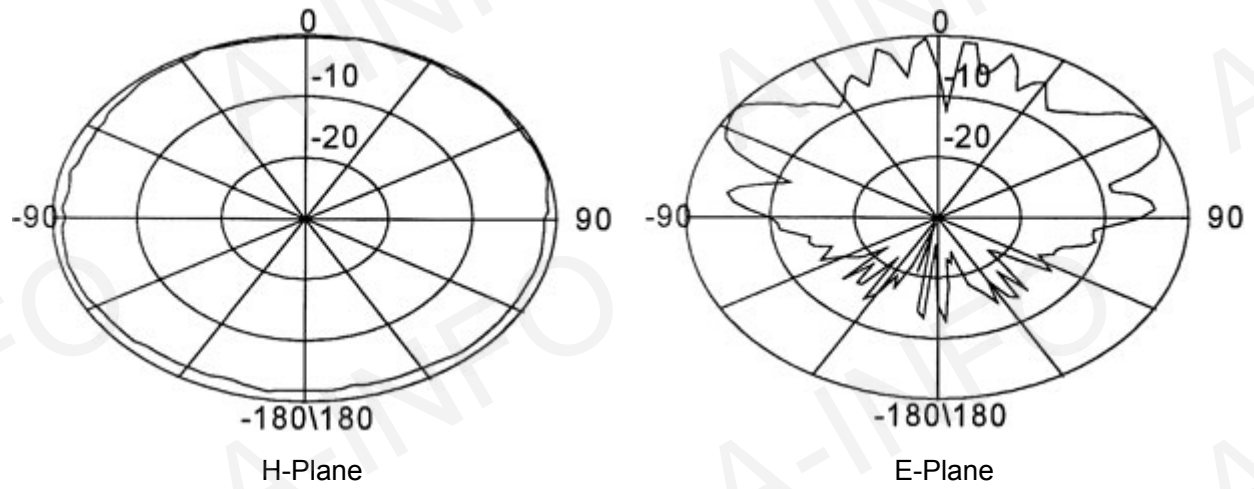
Frequency: 15GHz



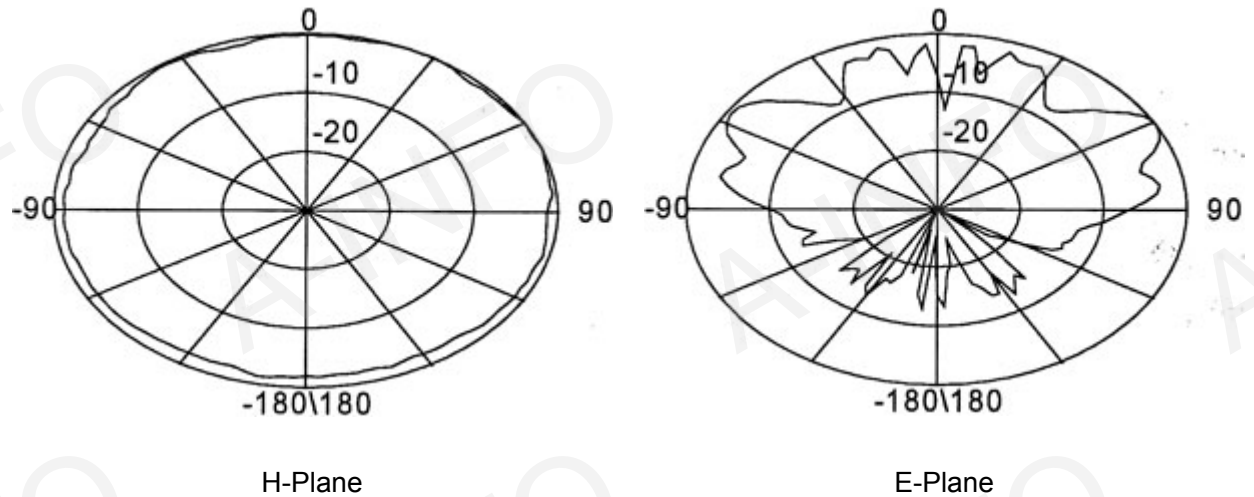
Frequency: 15.5GHz



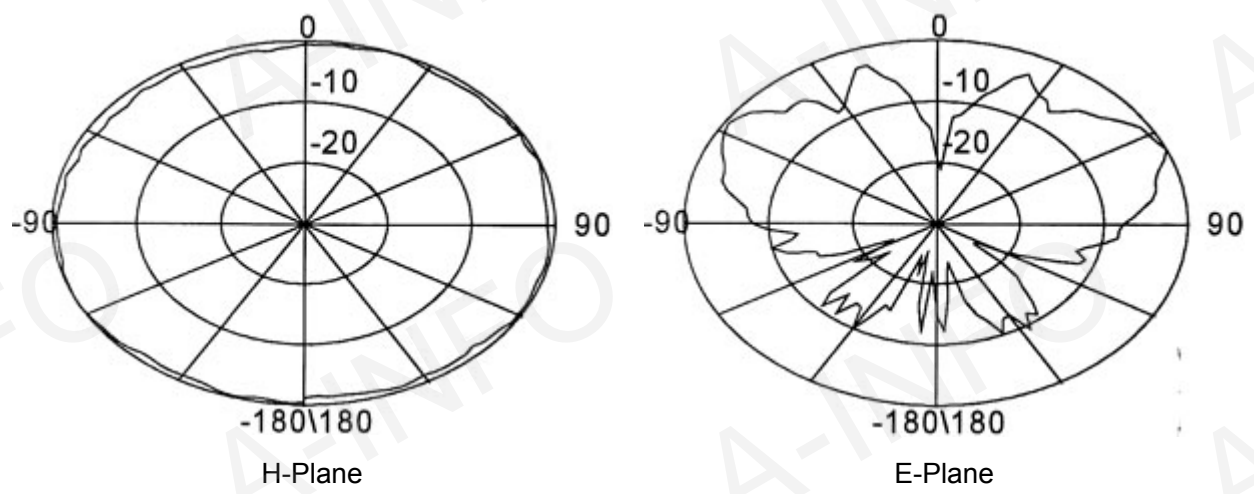
Frequency: 16GHz



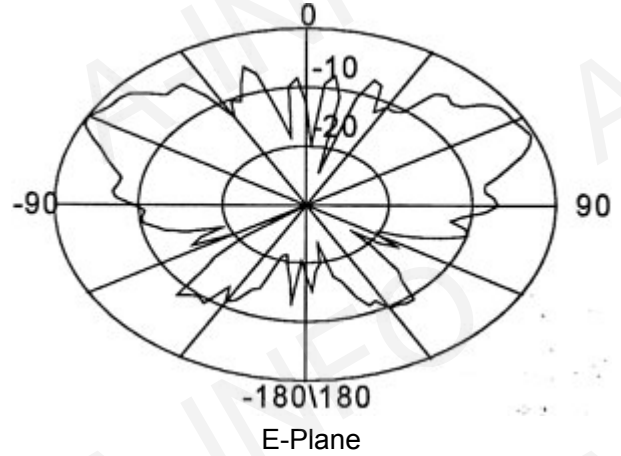
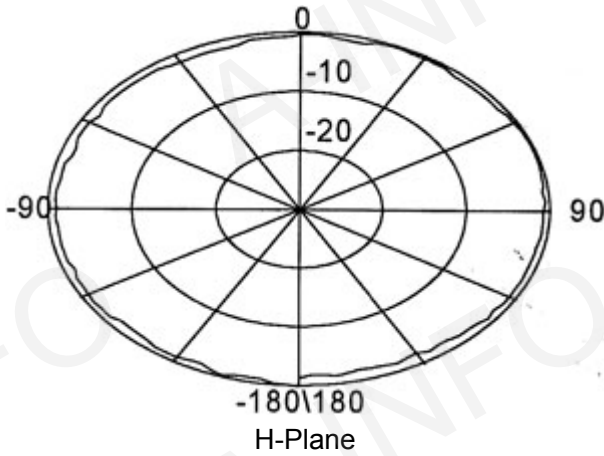
Frequency: 16.5GHz



Frequency: 17GHz



Frequency: 17.5GHz



Frequency: 18GHz

