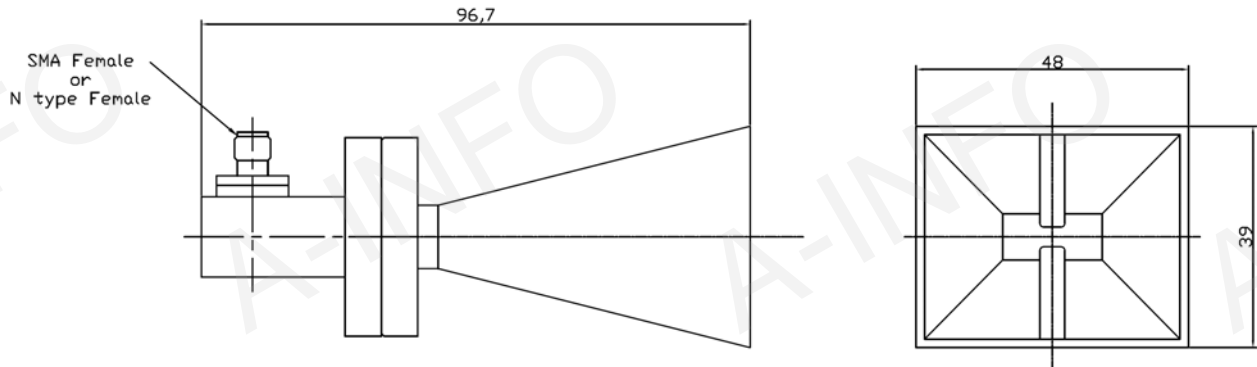


Technical Specification



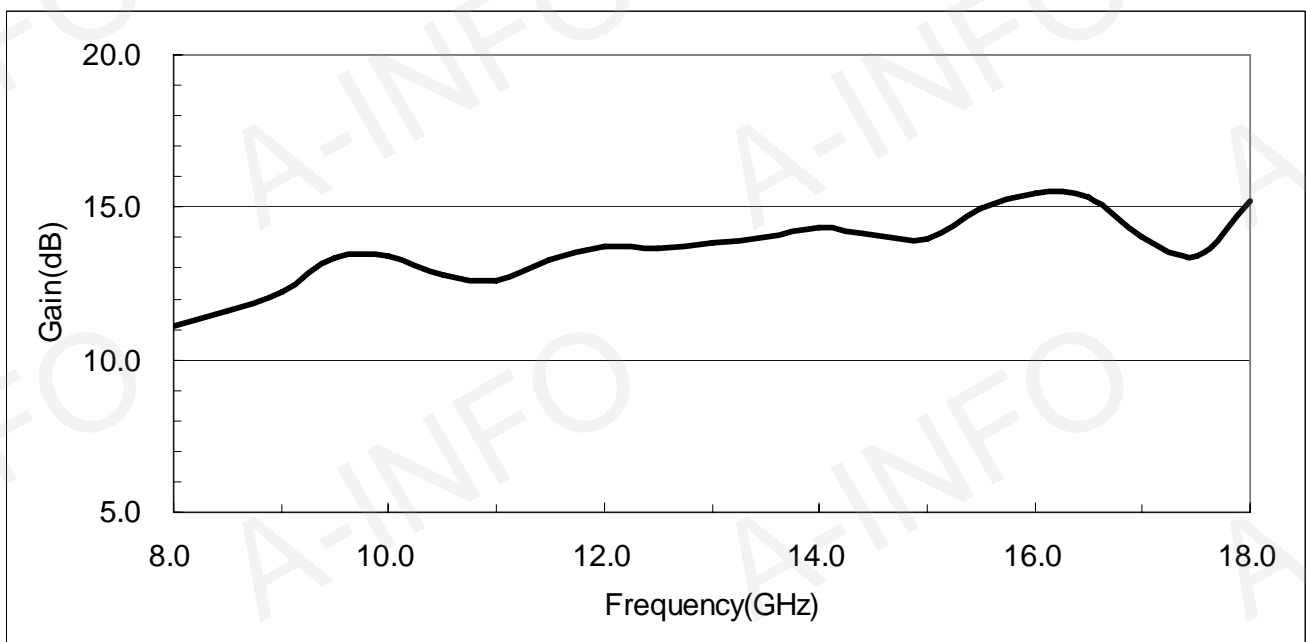
Frequency Range(GHz)	8.0 - 18
Gain(dBi)	10.0 Typ.
Polarization	Linear
VSWR	1.5 Typ.
Connector	SMA-F or N-F
Size(mm)	48x39x96.7
Net Weight(Kg)	0.18 Around

Outline Drawing (Size: mm)

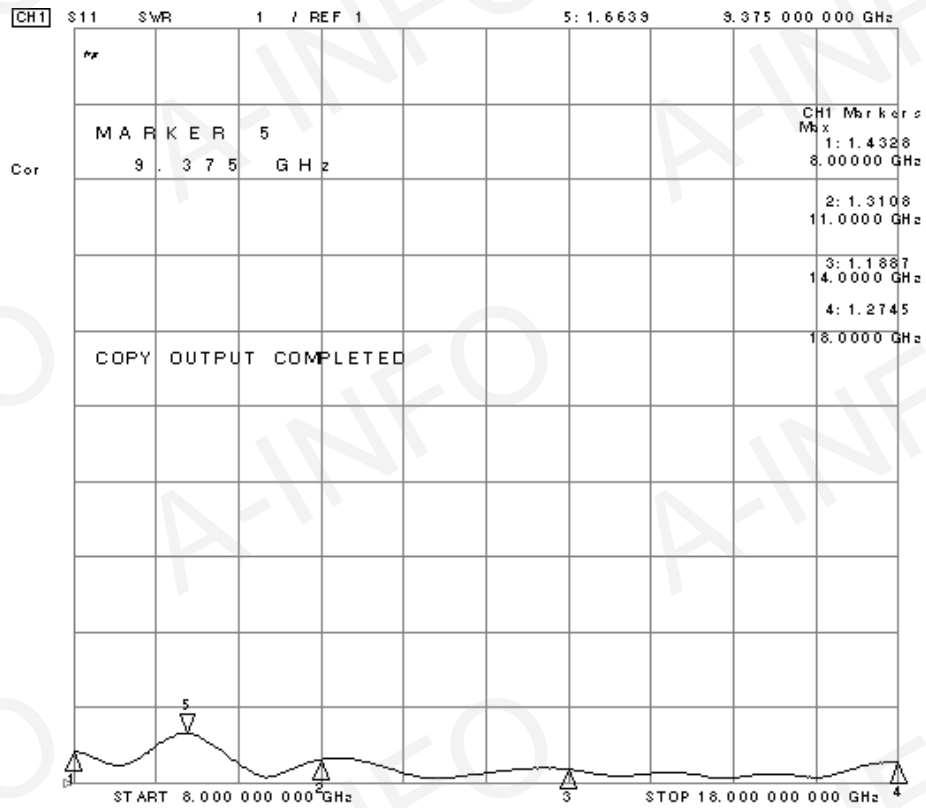


Test Results

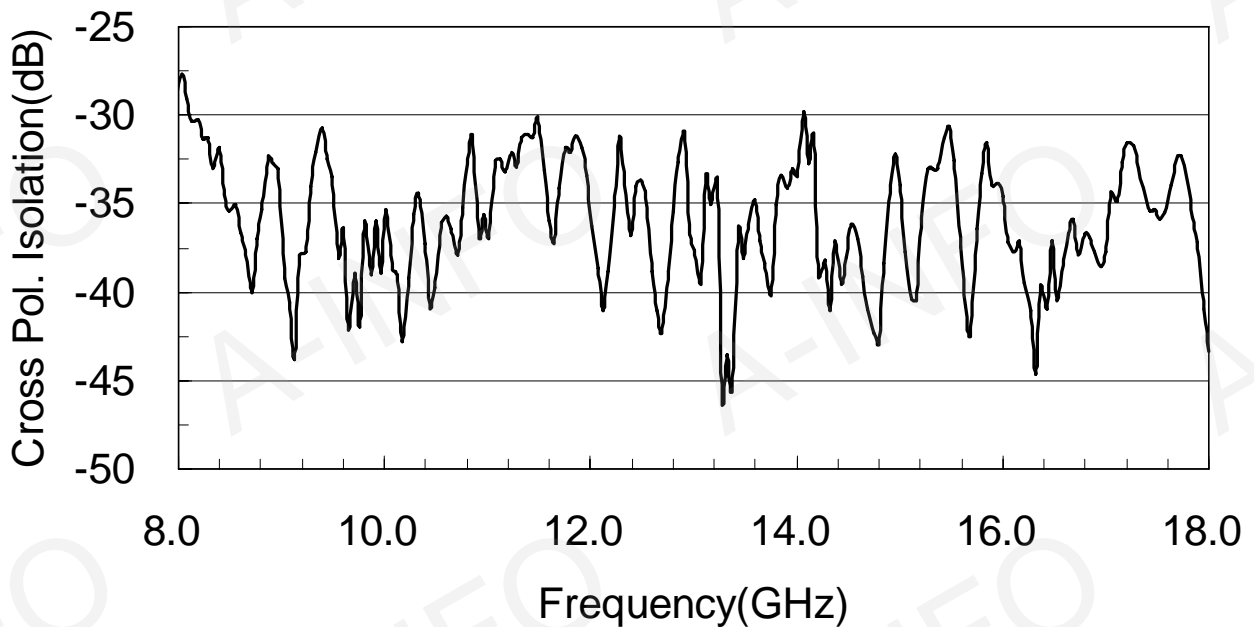
1. Gain



2. VSWR



3. Cross Polarization Isolation



4. Pattern

