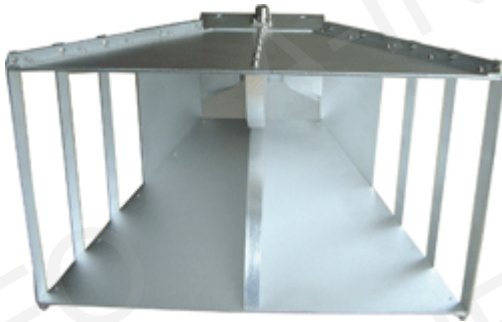
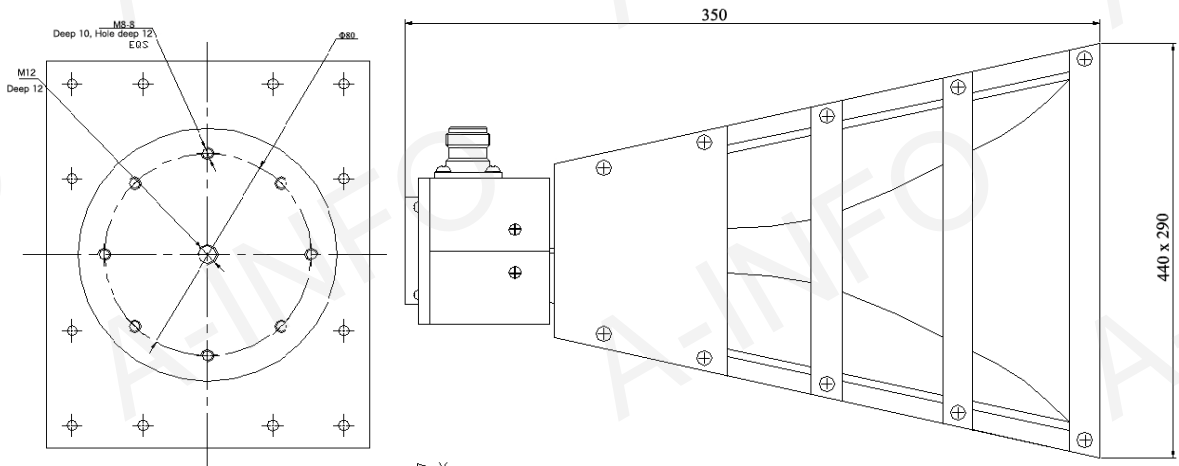


Technical Specification



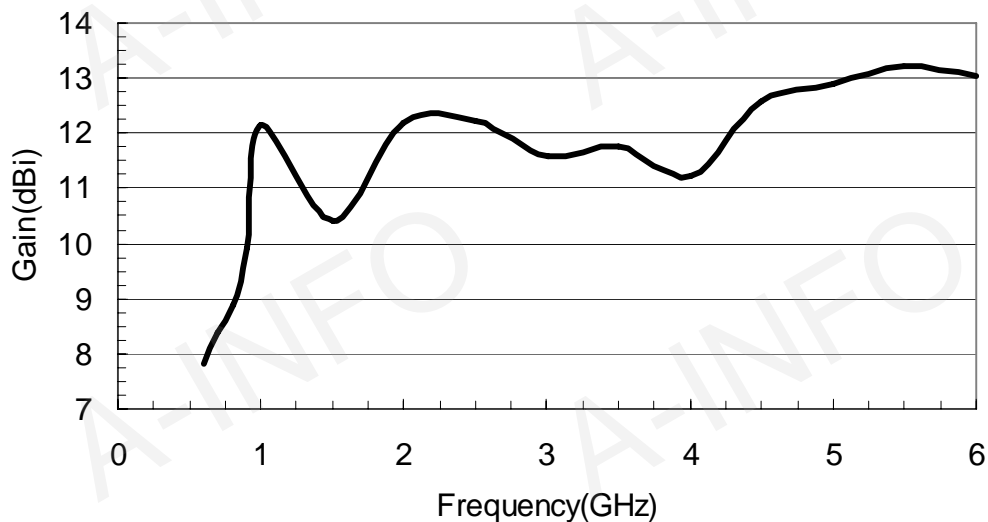
| | |
|----------------------|-----------------|
| Frequency Range(GHz) | 0.6 - 6.0 |
| Gain(dBi) | 8.5 Typ. |
| Polarization | Linear |
| VSWR | 2.0:1 Typ. |
| Connector | N-Female |
| Size(mm) | 440 x 290 x 350 |
| Net Weight(Kg) | 6.8 Around |

Outline Drawing (Size: mm)

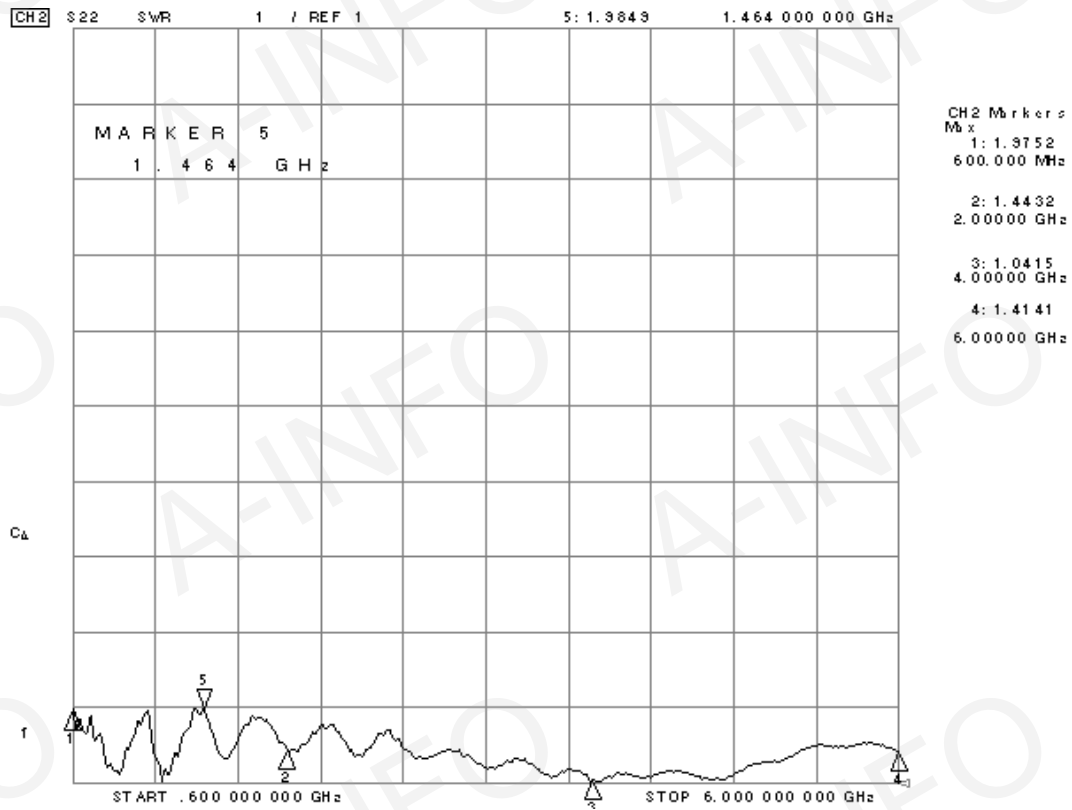


Test Results

1. Gain

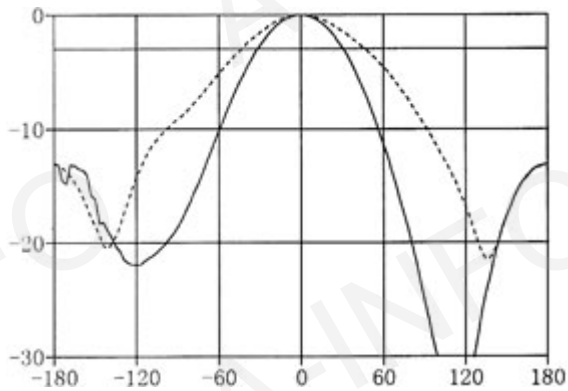


2. VSWR



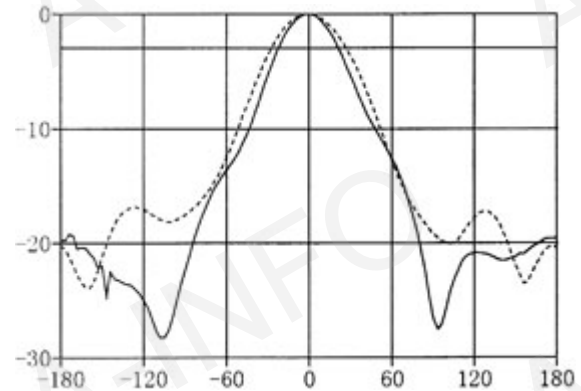
3. Pattern

Frequency: 0.6GHz



3dB Beamwidth (deg): 62.29 3dB Beamwidth (deg): 89.61

Frequency: 1.0GHz



3dB Beamwidth (deg): 43.68 3dB Beamwidth (deg): 54.33

