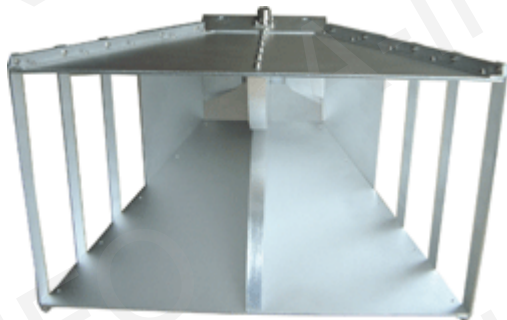
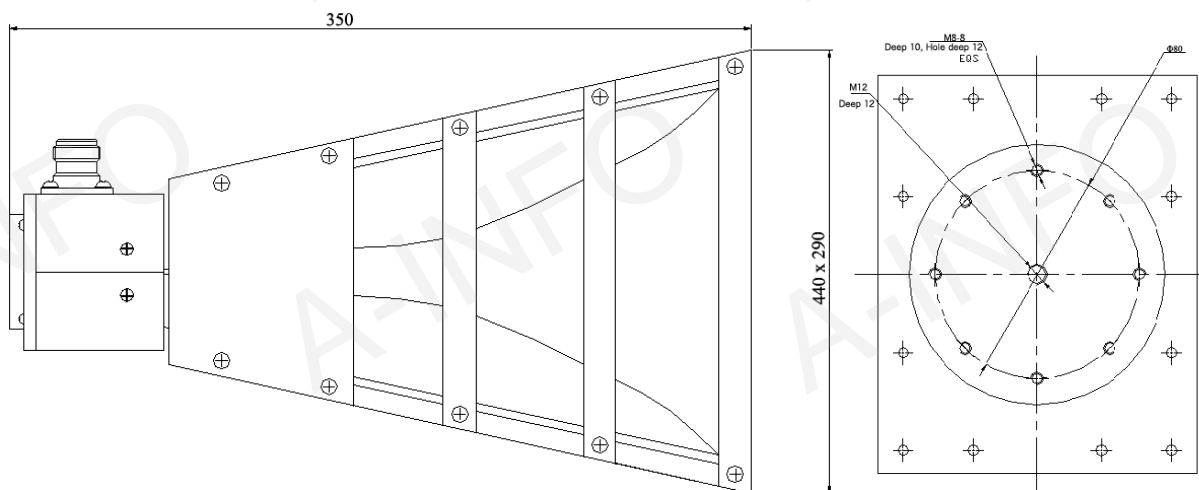


## Technical Specification



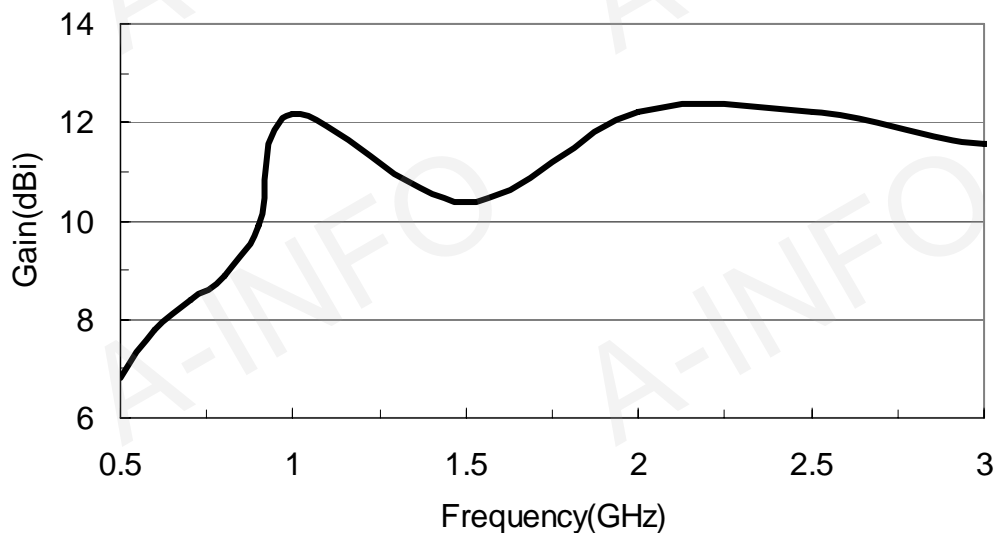
Frequency Range(GHz)	0.5 - 3.0
Gain(dBi)	8.5 Typ.
Polarization	Linear
VSWR	2.0:1 Typ.
Connector	N-Female
Size(mm)	440 x 290 x 350
Net Weight(Kg)	6.8 Around

## Outline Drawing (Size: mm)

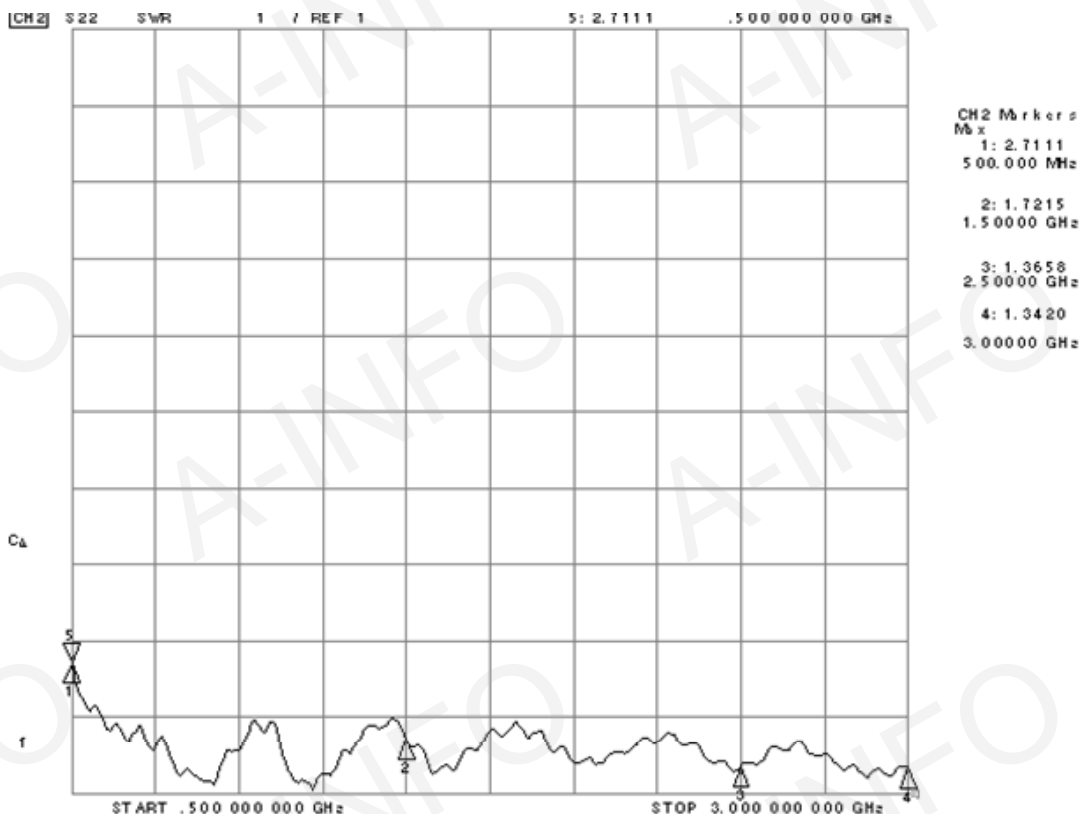


## Test Results

### 1. Gain



## 2. VSWR



## 3. Pattern

