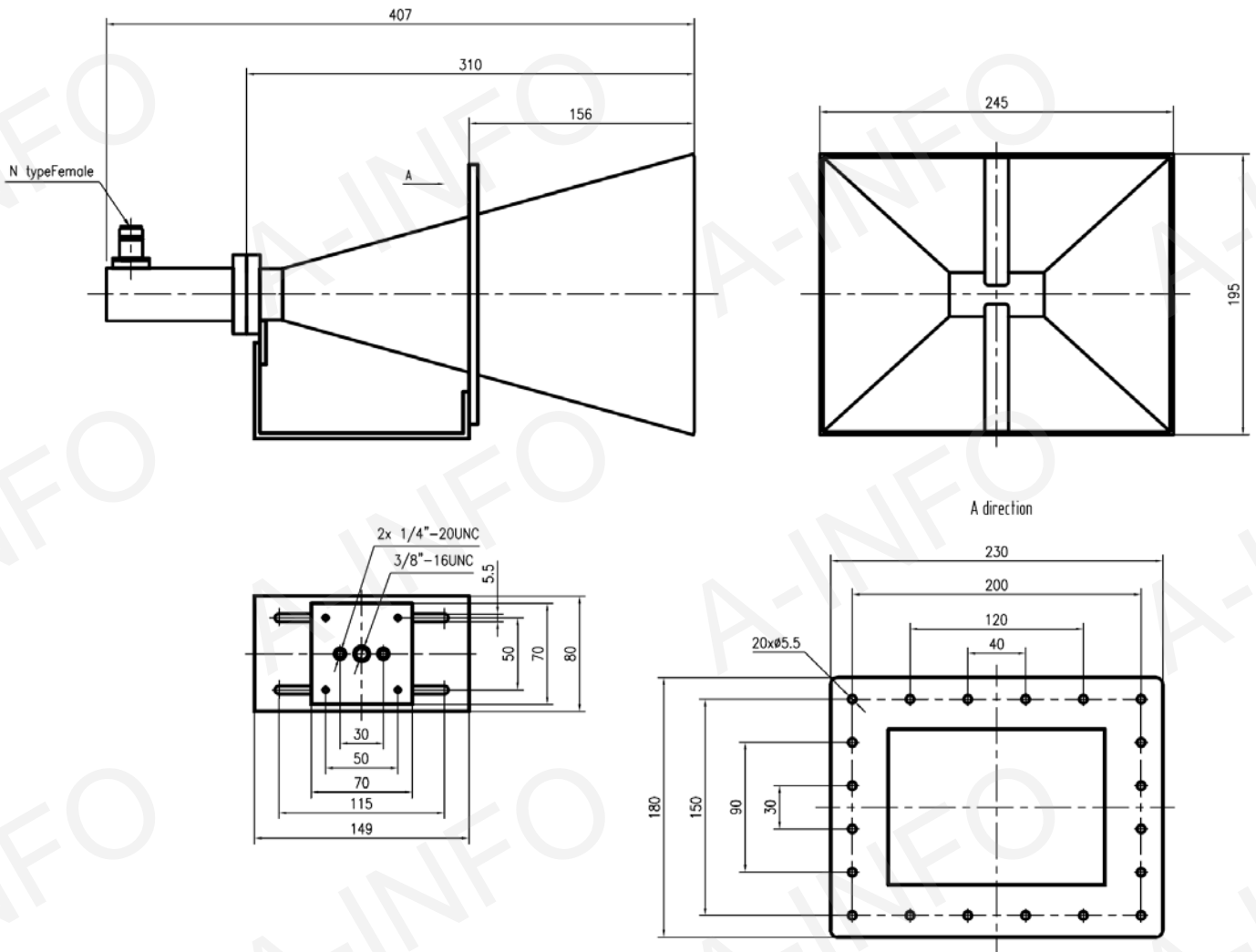


Technical Specification



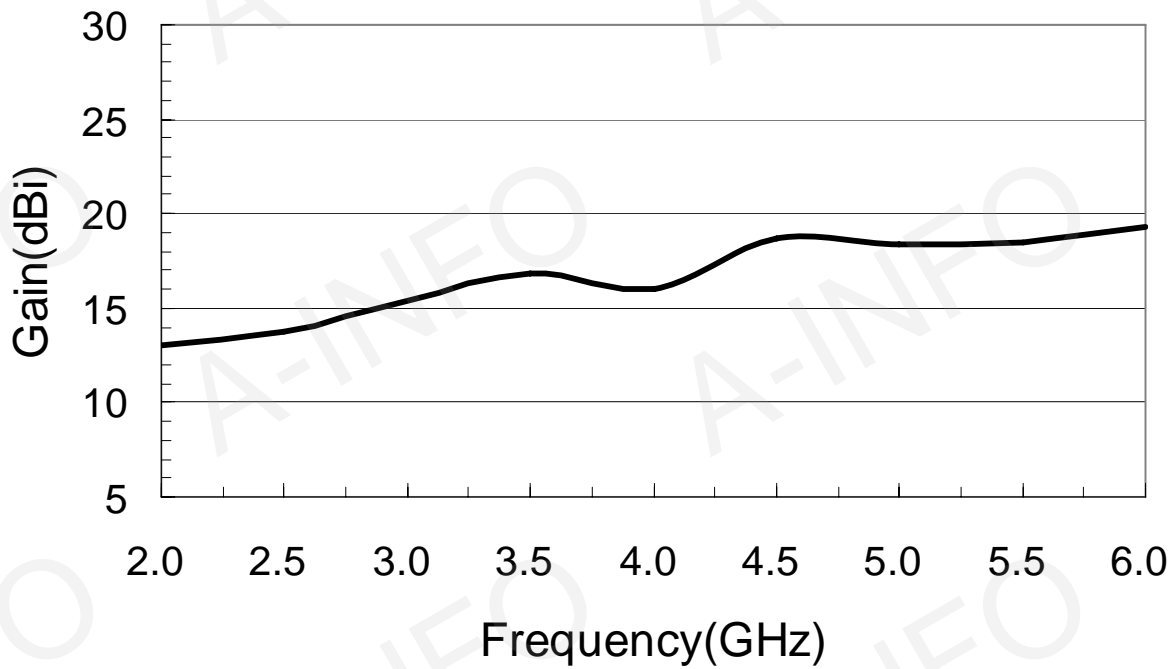
Frequency Range(GHz)	2.0 - 6.0
Gain(dBi)	15 Typ.
Polarization	Linear
Cross Pol. Isolation (dB)	-20 Max. -25 Typ.
VSWR	2.0 Max. 1.3 Typ.
3dB Beamwidth (deg.)	H Plane: 17 - 40
	E Plane: 20 - 37
Connector	N-Female
Net Weight(Kg)	3.0 Around (Including mounting bracket)

Outline Drawing (Size: mm) including mounting bracket

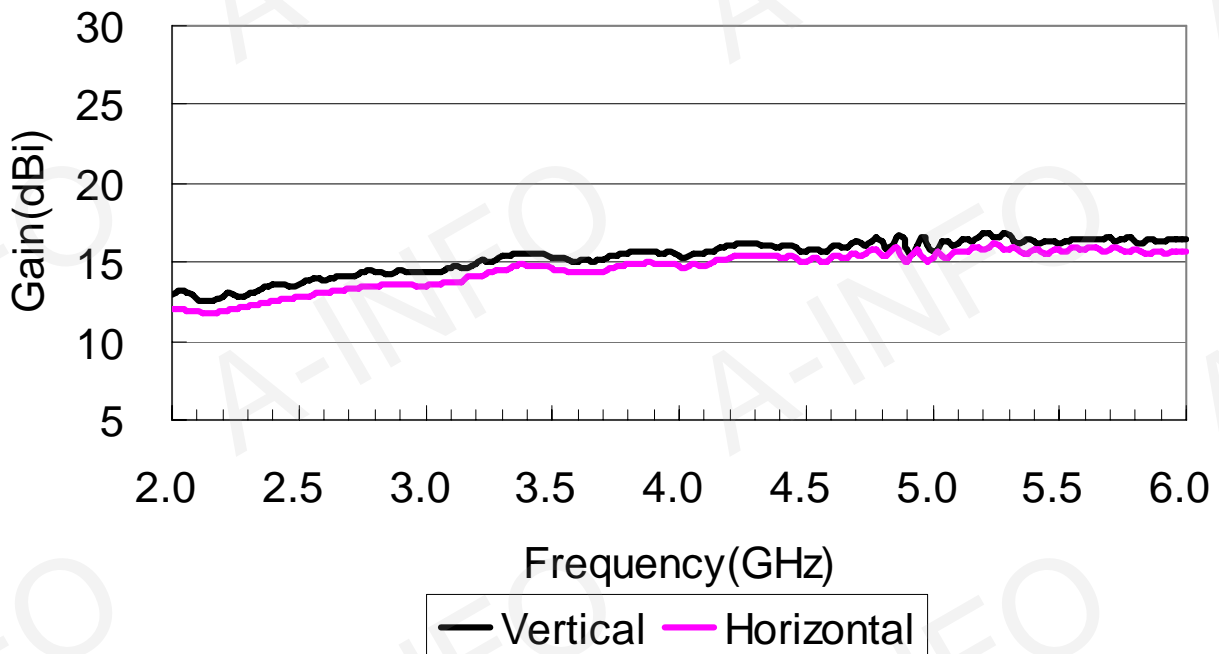


Test Results

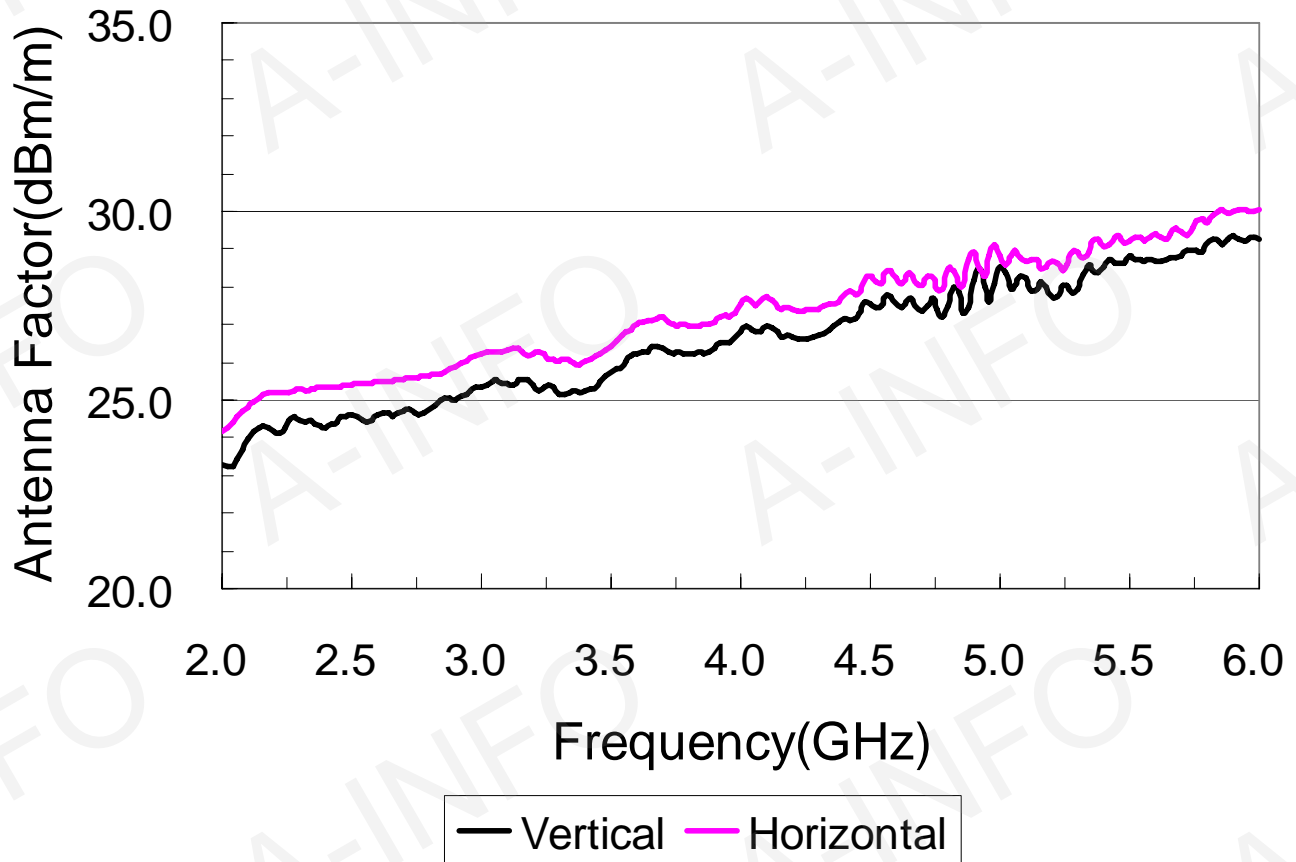
1. Gain



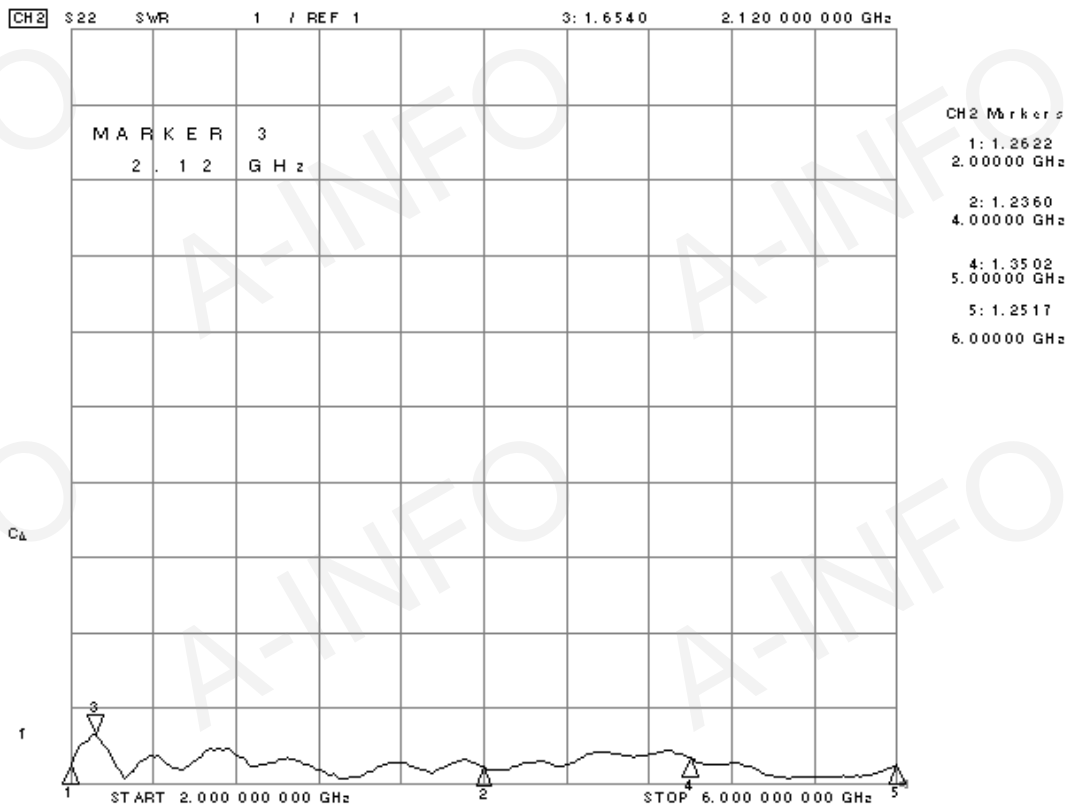
2. Gain @ 1m distance



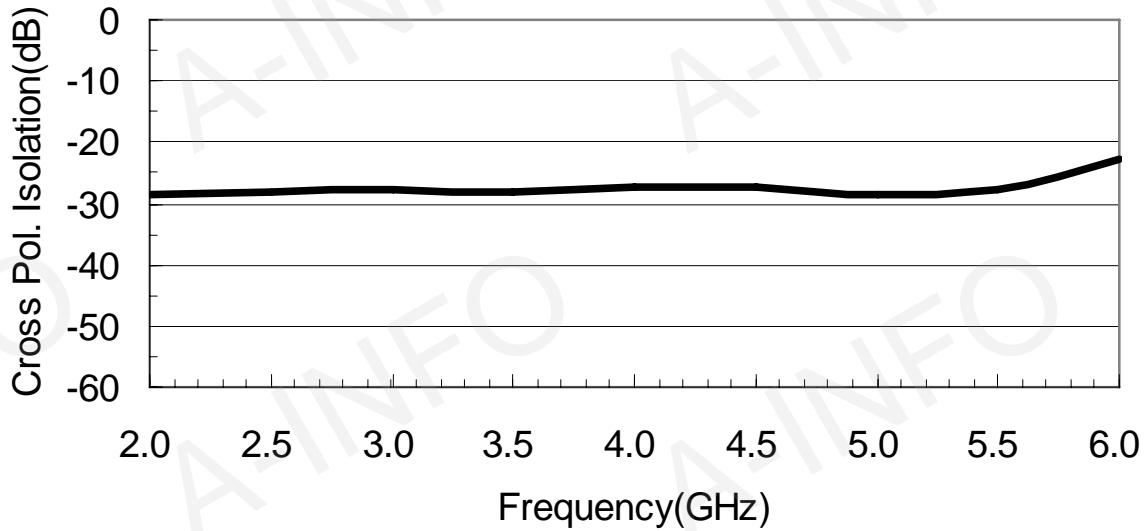
3. Antenna Factor @ 1m distance



4. VSWR



5. Cross Polarization Isolation



6. Pattern

