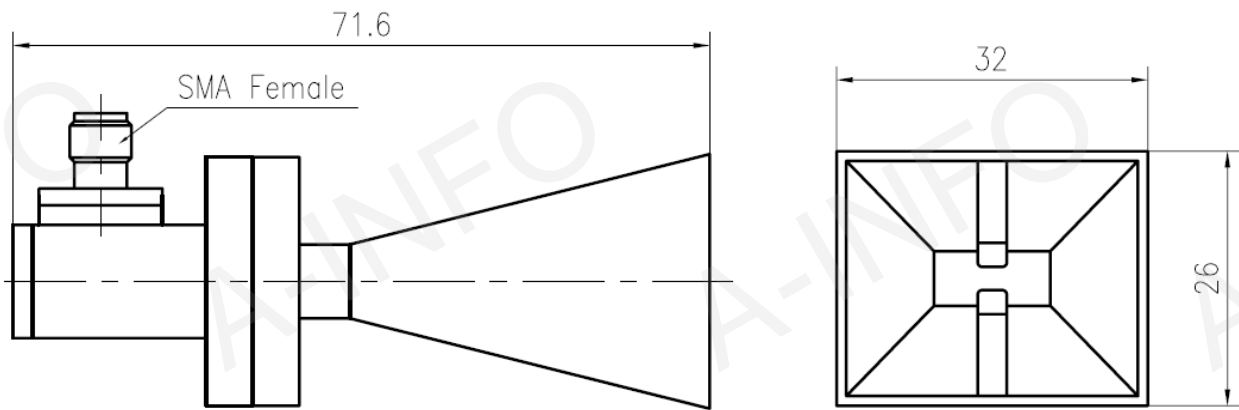


Technical Specification



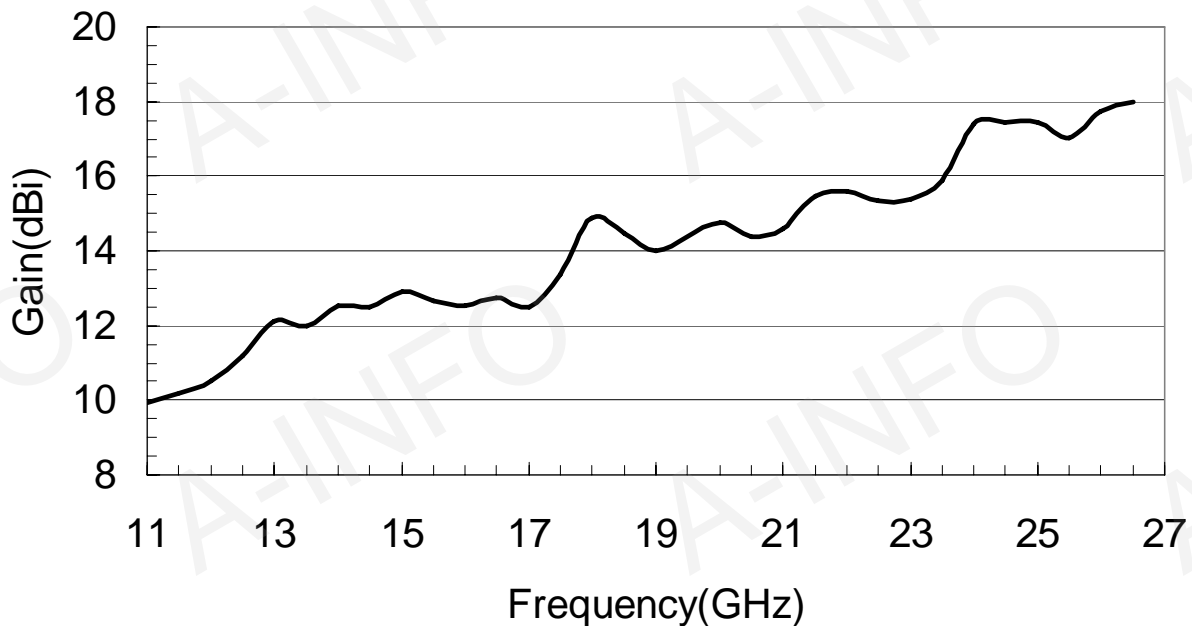
Frequency Range(GHz)	11.0-26.5
Gain(dBi)	10 Typ.
Polarization	Linear
VSWR	2.0 Max
Cross Polarization Isolation(dB)	-20 Max
Waveguide(A Type)	WRD110C24
Adapter(C Type)	110DRWCAS
Connector(C Type)	SMA-F
Size(mm)	32x26x71.6(Including Adapter)
Net Weight(Kg)	0.12 Around(Including Adapter)

Outline Drawing (Size: mm)

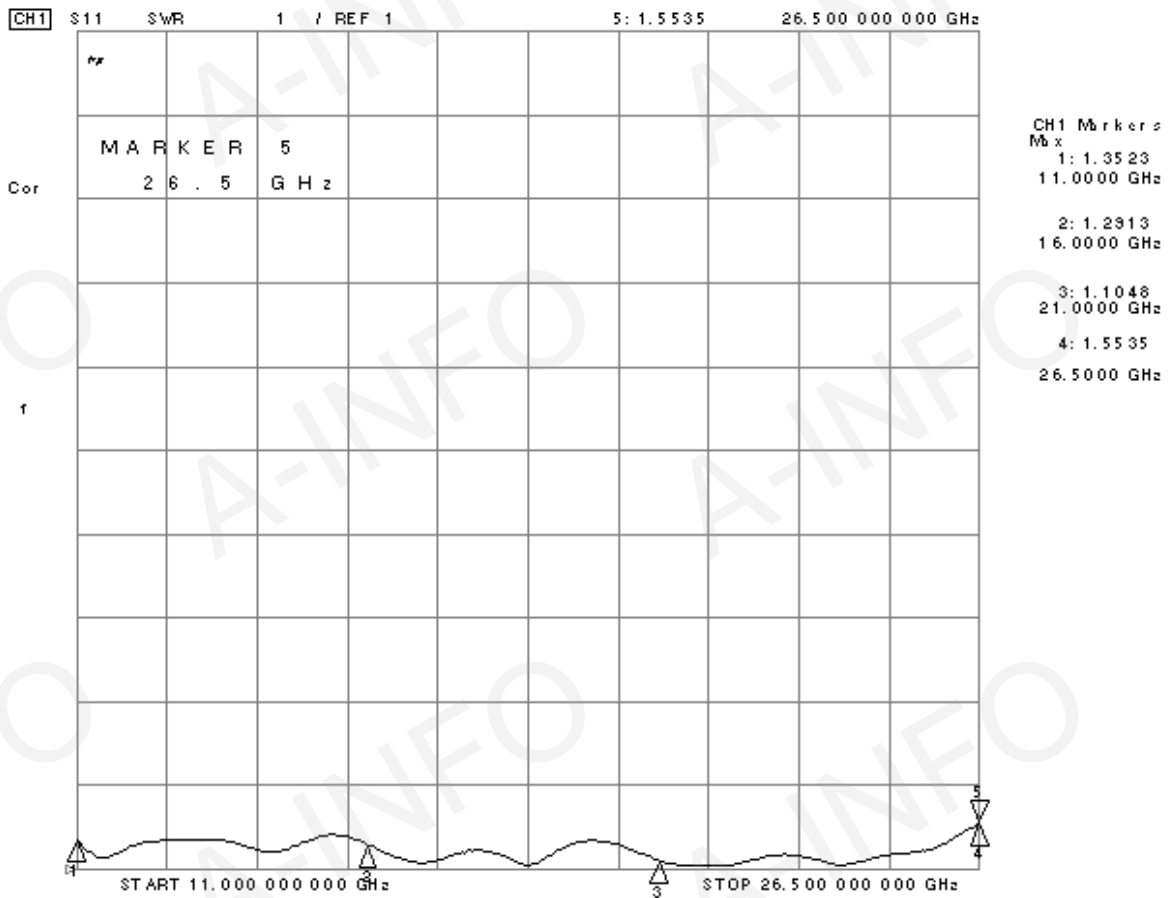


Test Results

1. Gain



3. VSWR



4. Pattern

