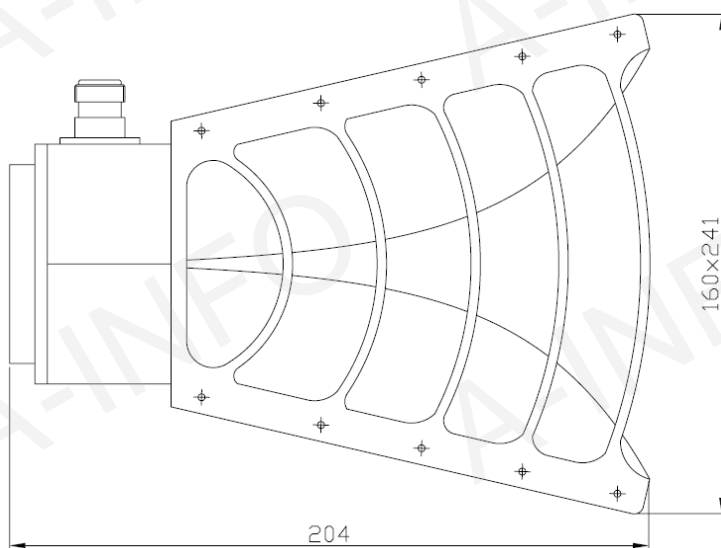


## Technical Specification



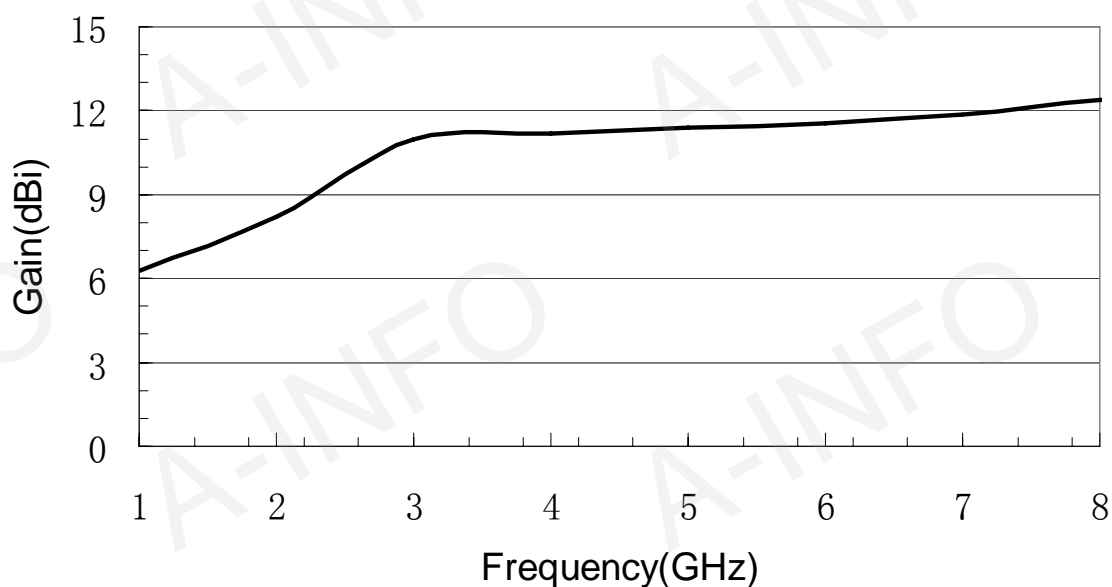
Frequency Range(GHz)	1 - 8
Gain(dBi)	11 Typ.
Polarization	Linear
VSWR	2.0:1 Typ.
Connector	N-F/SMA-F
Size(mm)	241x160x204
Net Weight(Kg)	1.4 Around

## Outline Drawing (Size: mm)

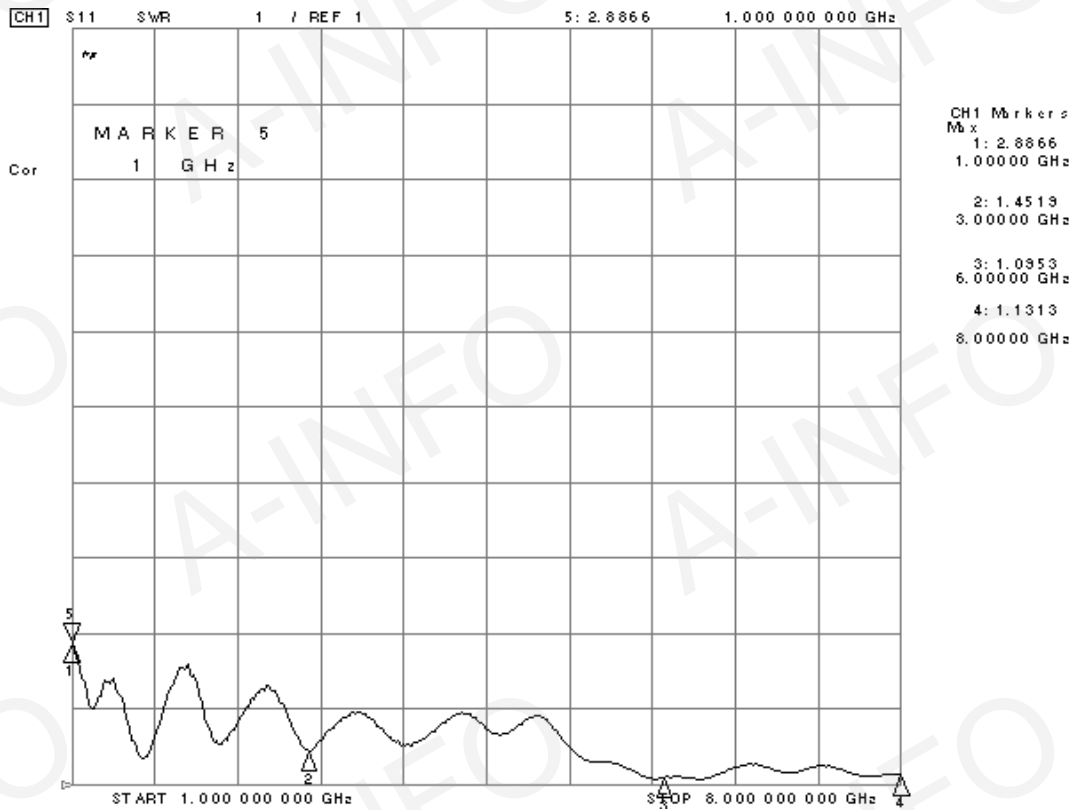


## Test Results

### 1. Gain



## 2. VSWR



## 3. Pattern

