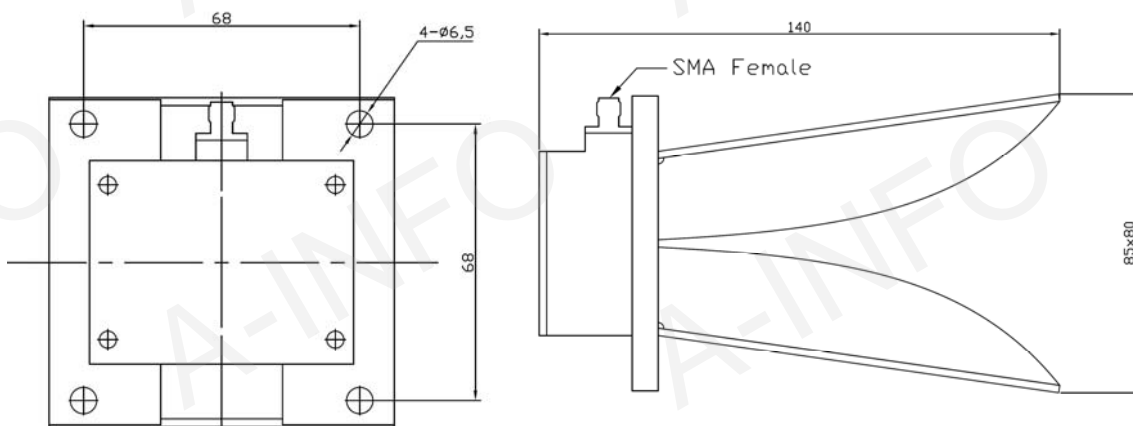


Technical Specification



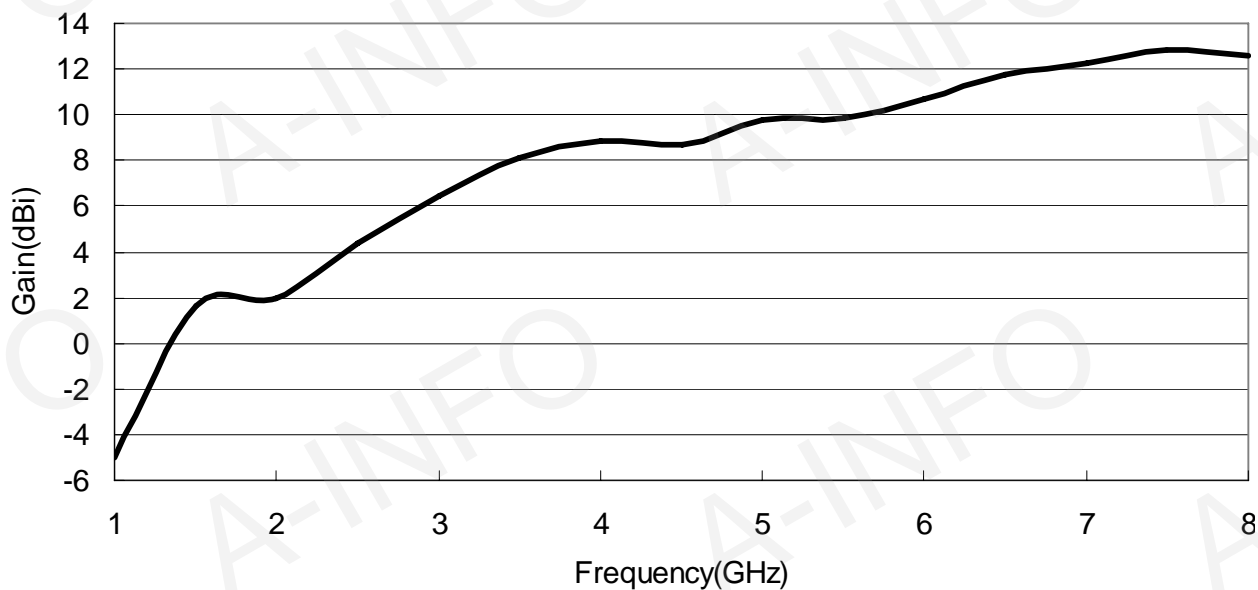
Frequency Range(GHz)	1 - 8
Gain(dBi)	1.8-13 Typ.
Polarization	Linear
VSWR	2.5:1 Typ.
Connector	N-F/SMA-F
Size(mm)	85x80x140
Net Weight(Kg)	0.5 Around

Outline Drawing (Size: mm)

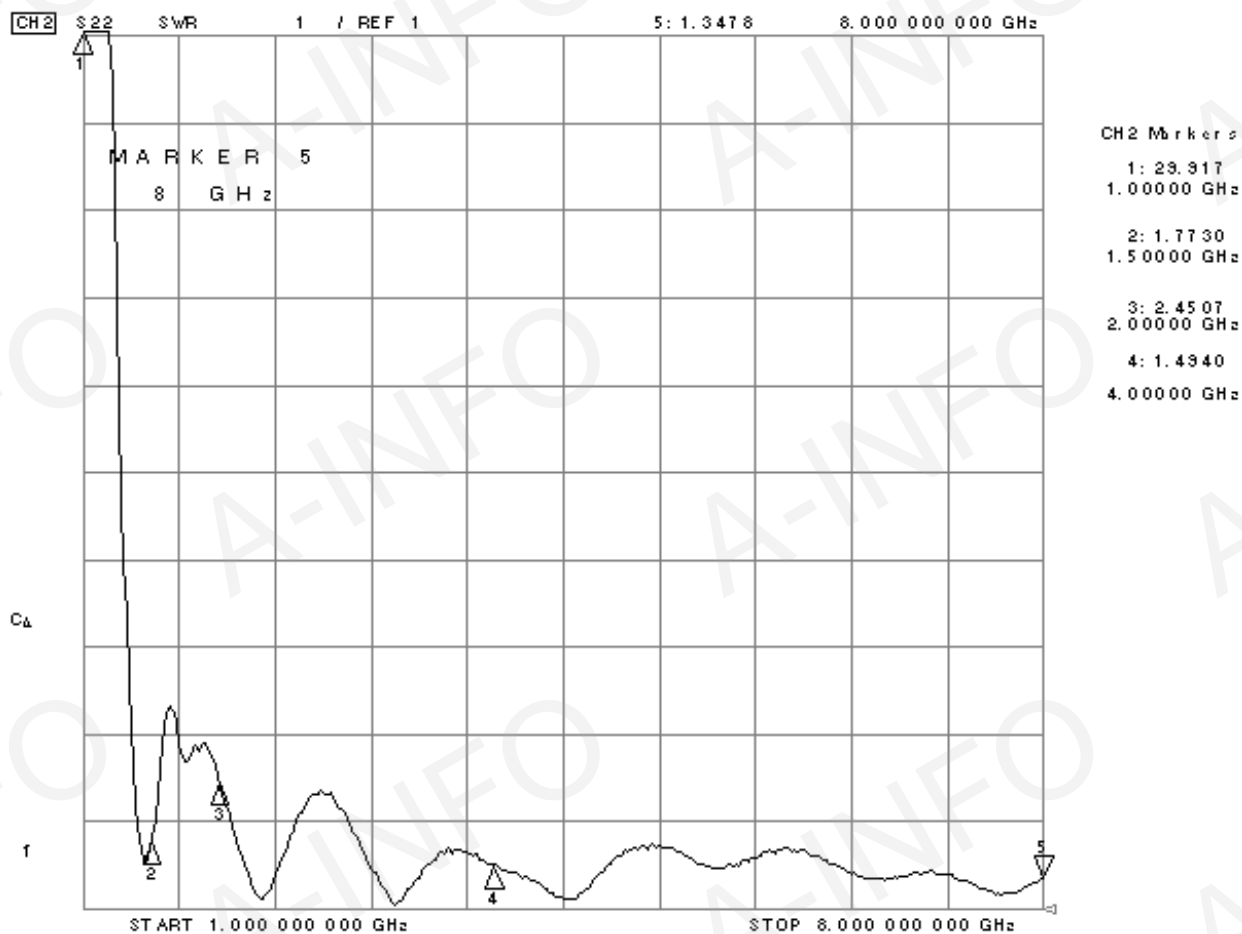


Test Results

1. Gain



2. VSWR



3. Pattern

