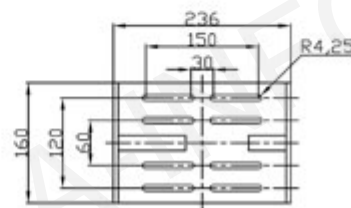
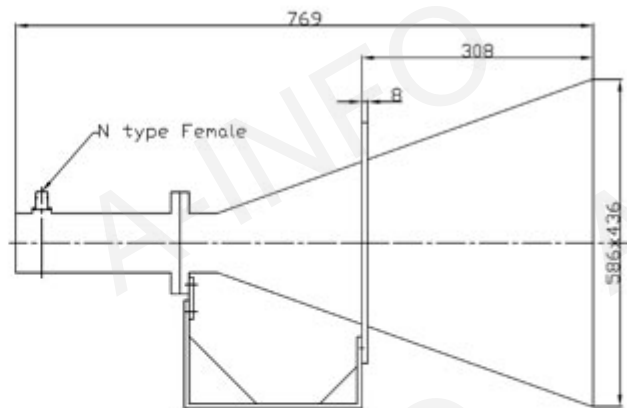
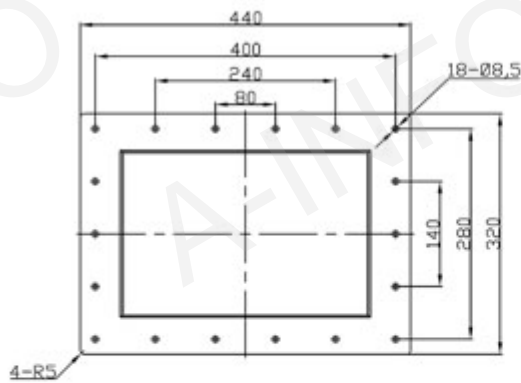


Technical Specification



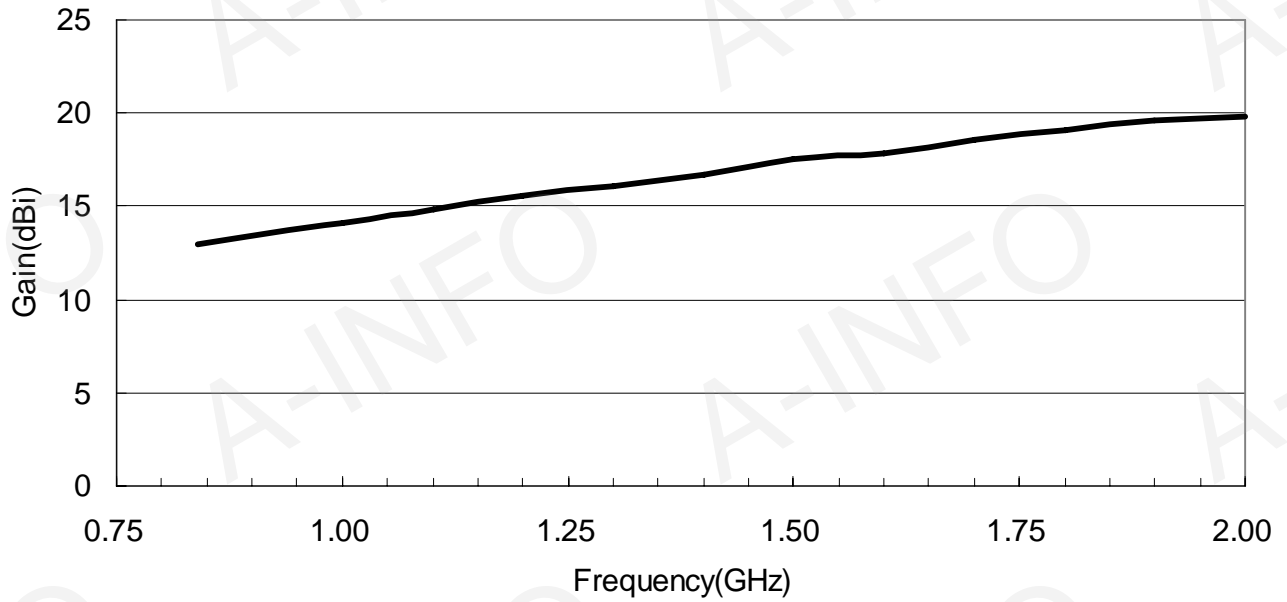
Frequency Range(GHz)	0.84 - 2.0
Gain(dBi)	15 Typ.
Polarization	Linear
VSWR	2.0 Max
Waveguide(A Type)	WRD84D24
Adapter(C Type)	84DRWCAN
Connector(C Type)	N-Female
Size(mm)	586 x 436 x 769(Including Adapter)
Net Weight(Kg)	10.5 Around(Including Adapter)

Outline Drawing (Size: mm) Including Adapter

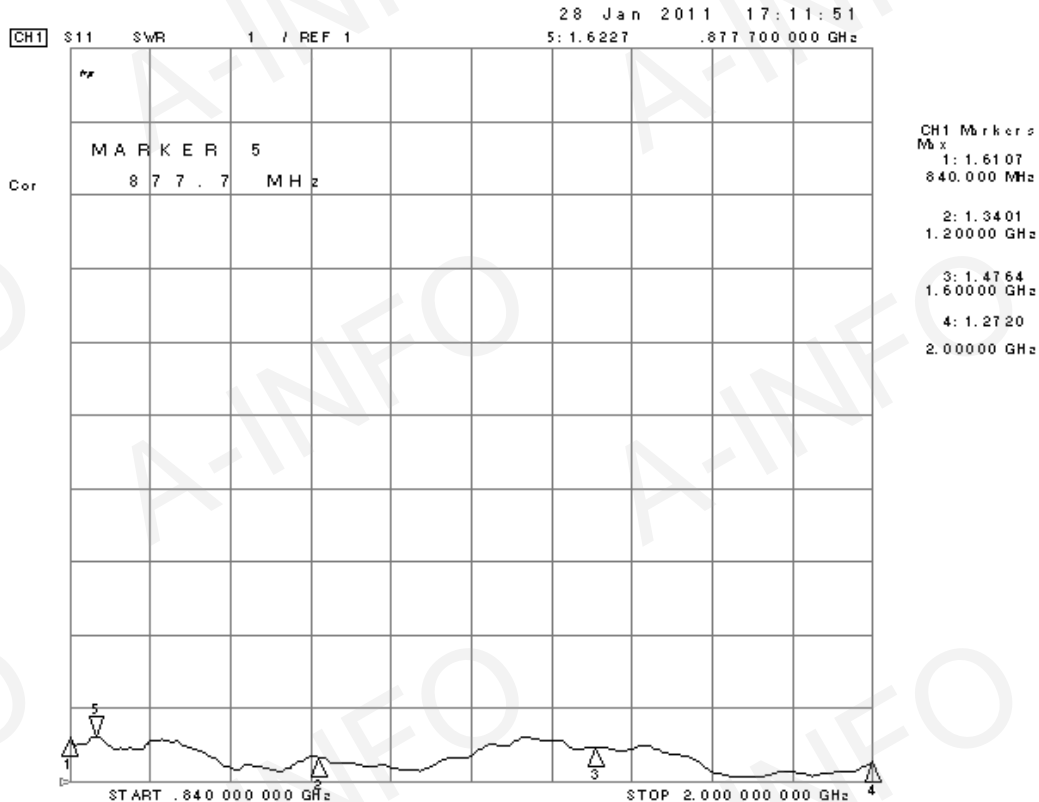


Test Results

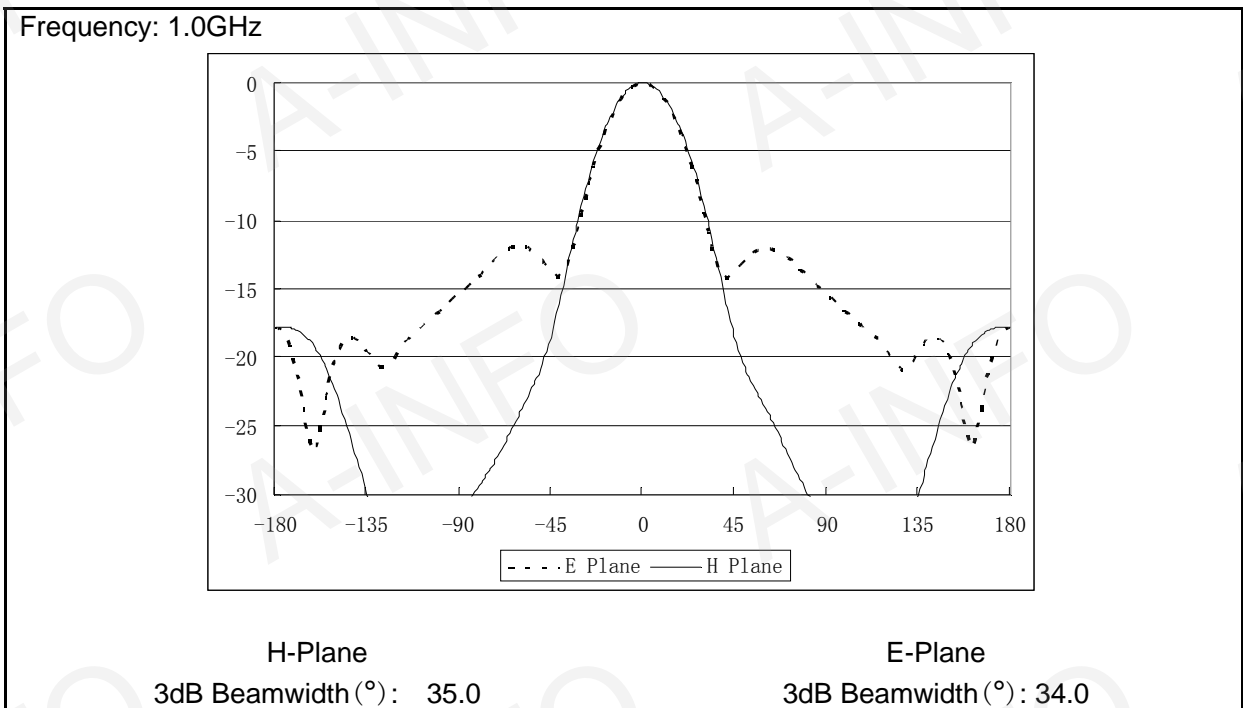
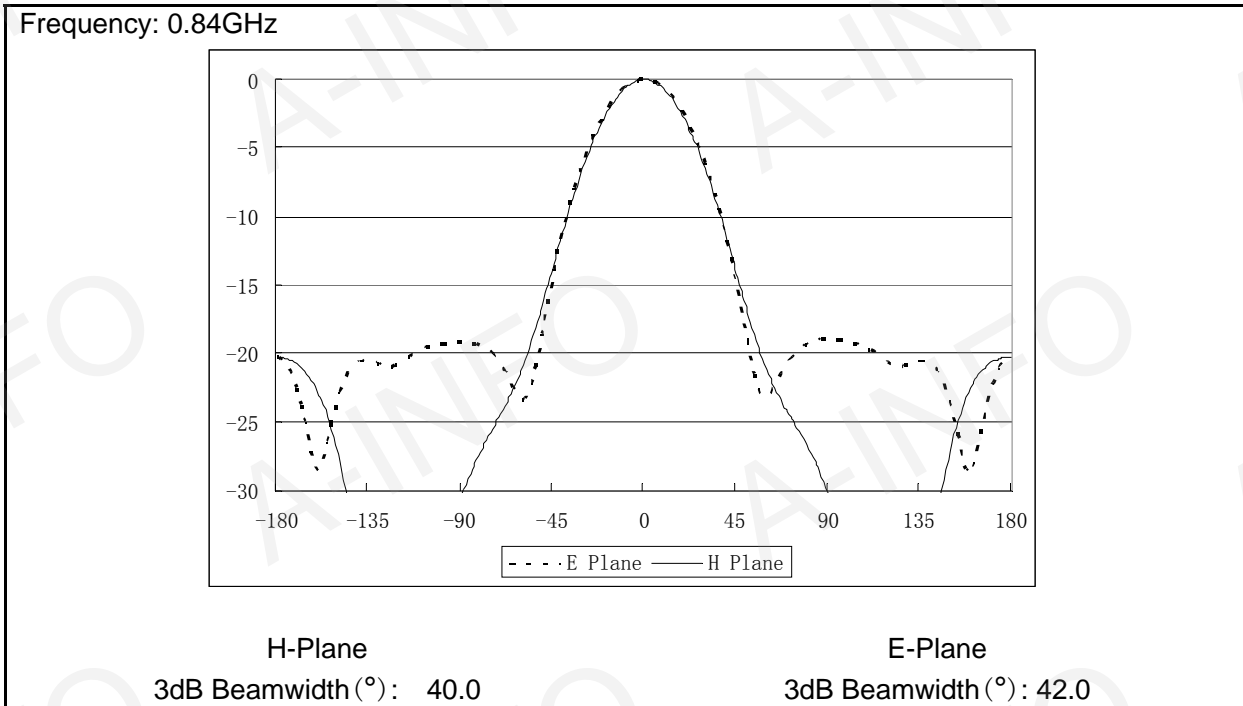
1. Gain



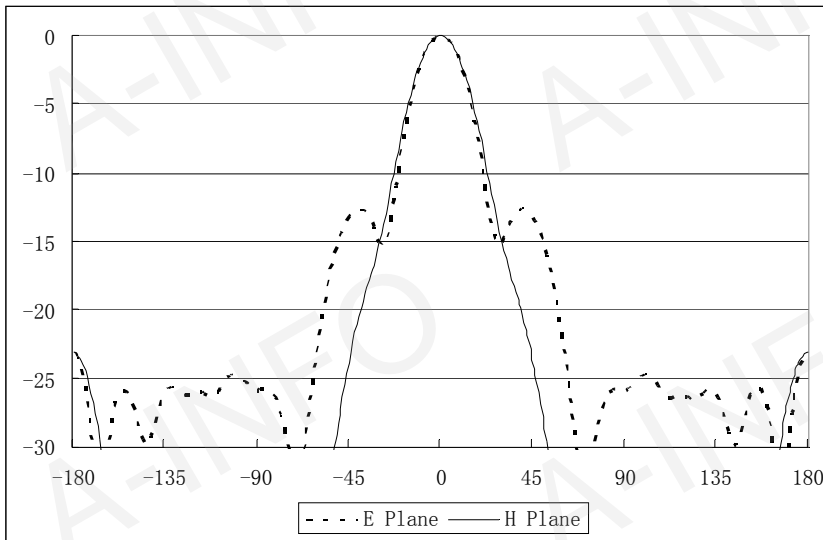
2. VSWR



3. Pattern



Frequency: 1.5GHz



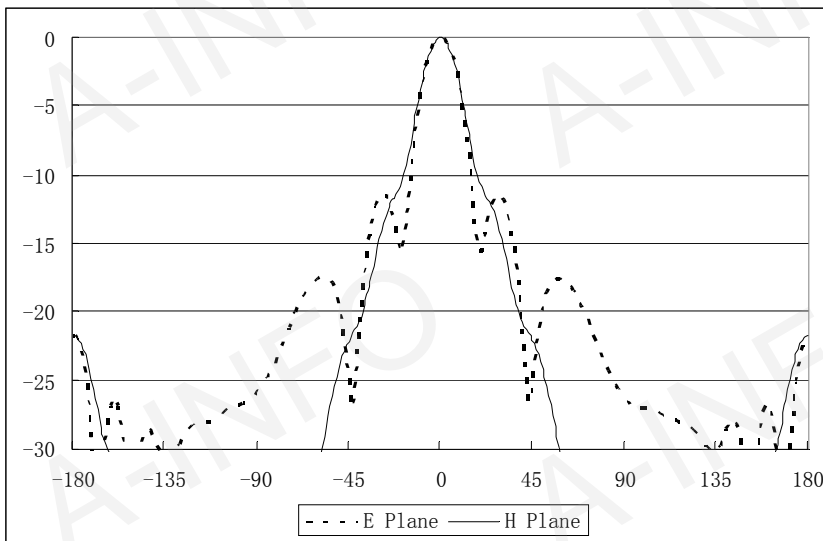
H-Plane

3dB Beamwidth (°): 25.0

E-Plane

3dB Beamwidth (°): 24.0

Frequency: 2.0GHz



H-Plane

3dB Beamwidth (°): 18.0

E-Plane

3dB Beamwidth (°): 17.4