

## Technical Specification



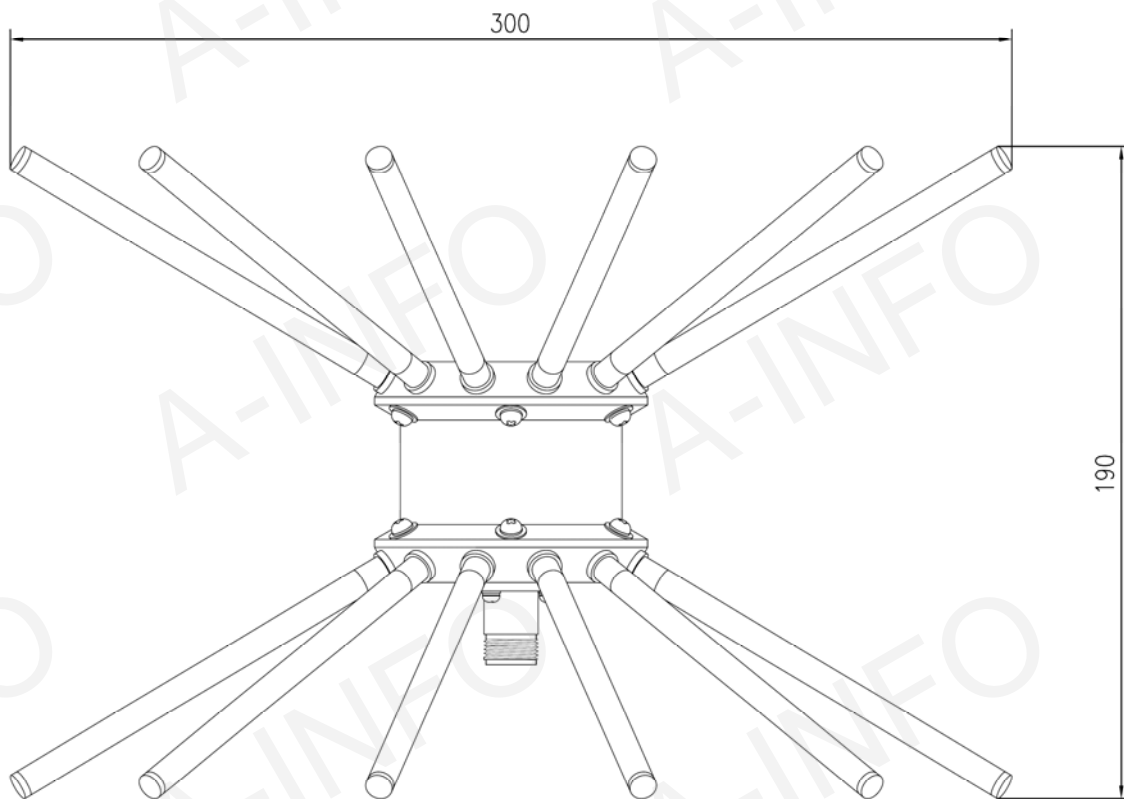
Frequency Range(GHz)	0.5 - 3.0
VSWR	3:1 Max
Gain(dB)	0 Typ.
Connector	N -Female
Net Weight(Kg)	1.0 Around (Not Including Mounting Kit)
	2.5 Around (Including Mounting Kit)
Size(mm)	(Φ)300 x (H)190 approx. (Not Including Mounting Kit)
	(H)1230 approx. (Including Mounting Kit)

Feed Source

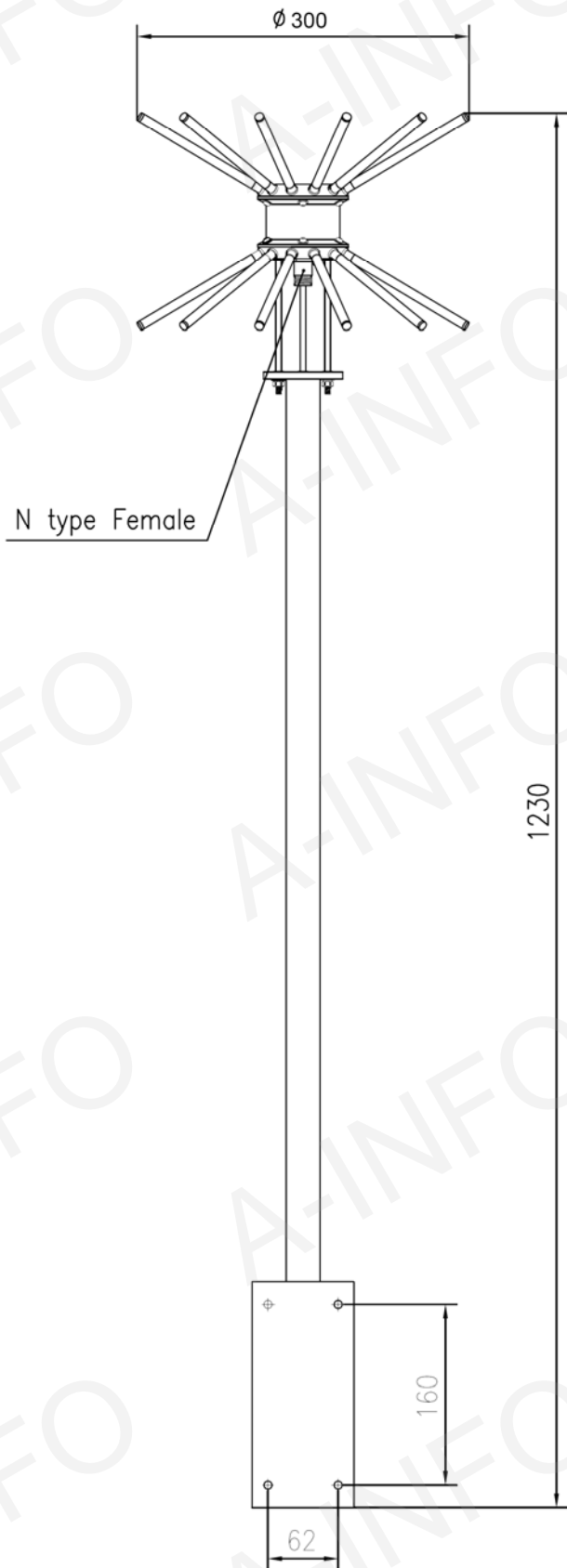
Finished Picture  
(Including Mounting Kit)

## Outline Drawing (Size: mm)

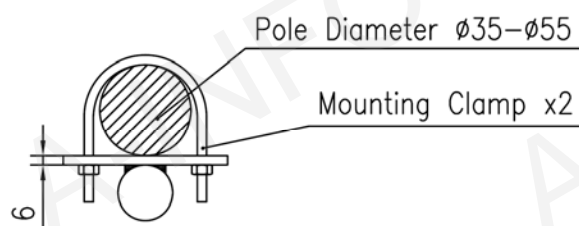
Not Including Mounting Bracket



Including Mounting Kit

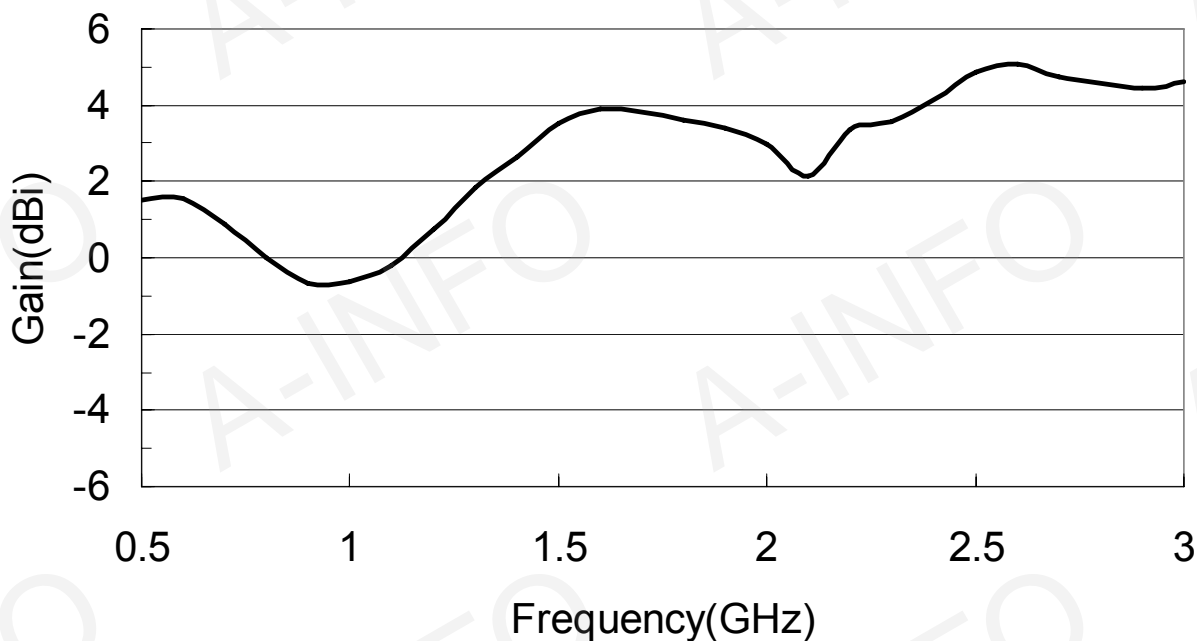


Mounting Pole

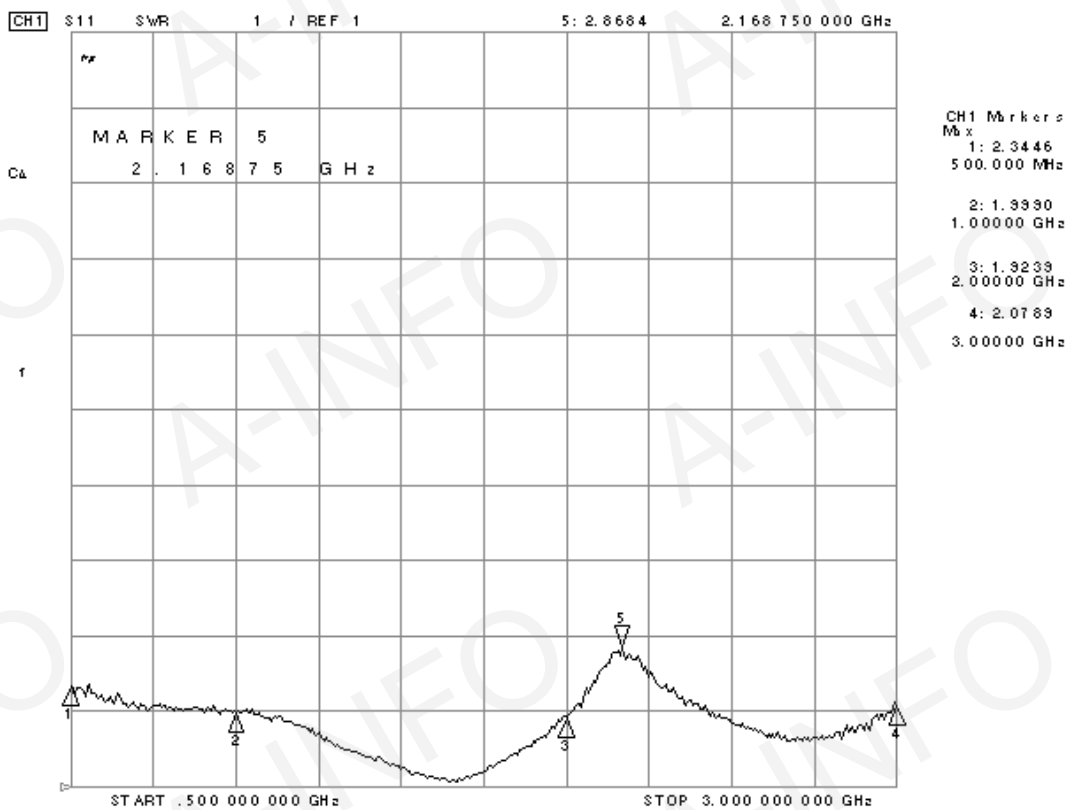


## Test Results

### 1. Gain

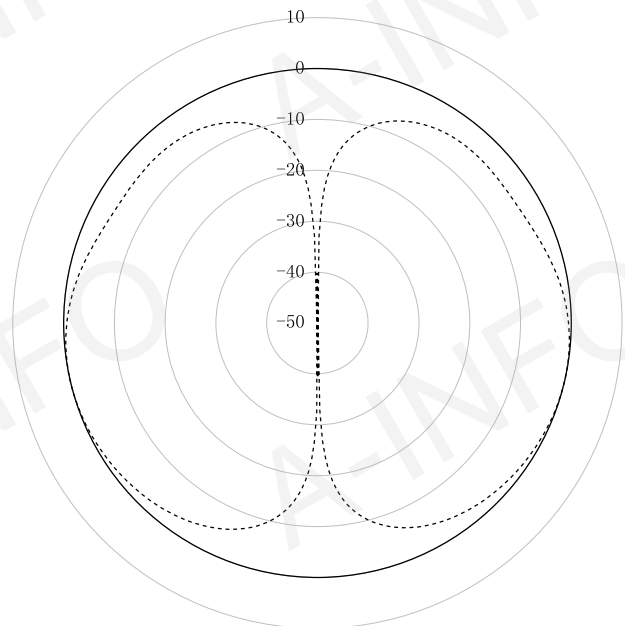


### 2. VSWR



### 3. Pattern

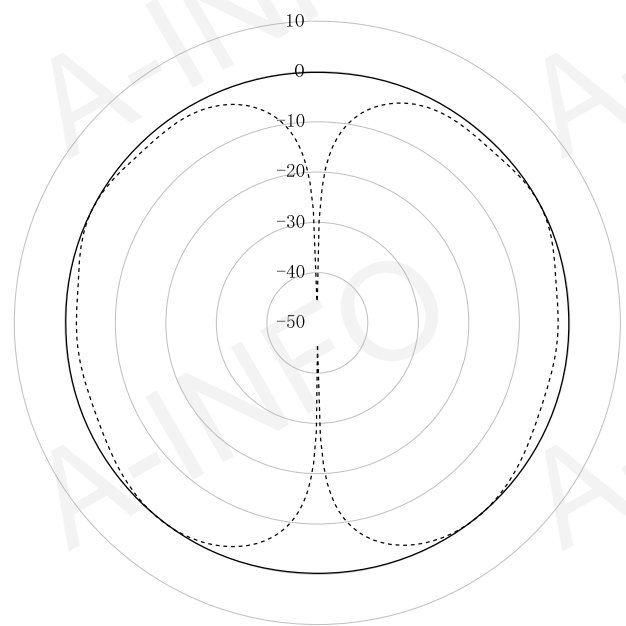
Frequency: 0.5GHz



H-Plane ———

E-Plane - - - - -

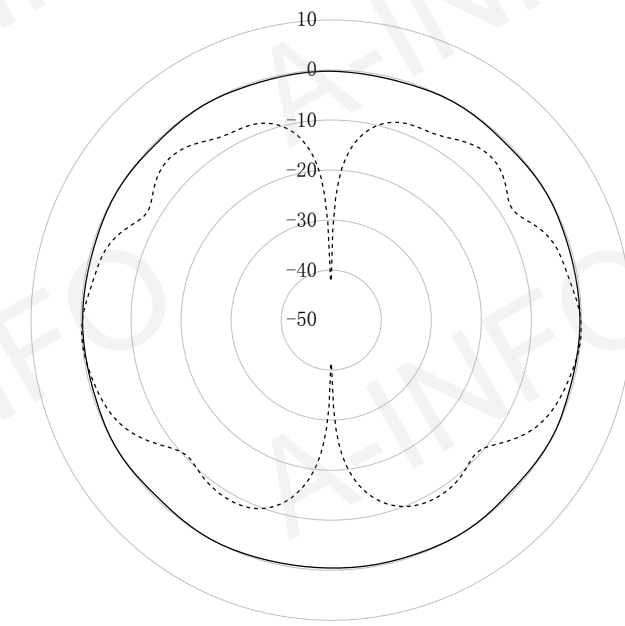
Frequency: 1.0GHz



H-Plane ———

E-Plane - - - - -

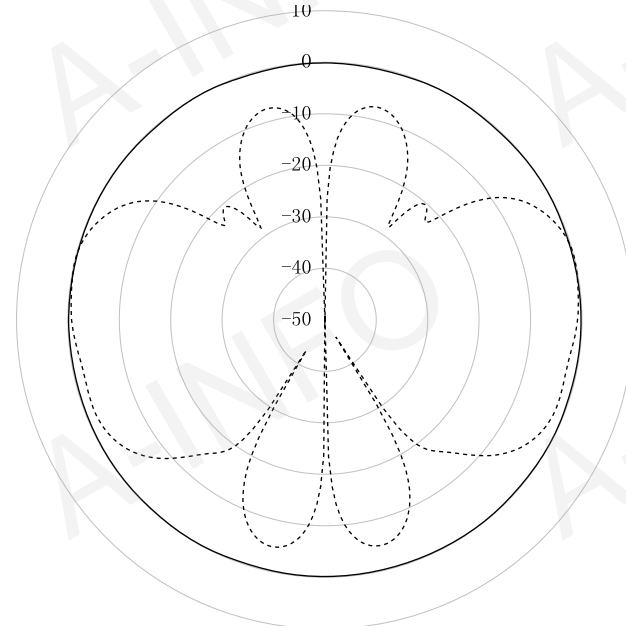
Frequency: 1.5GHz



H-Plane ———

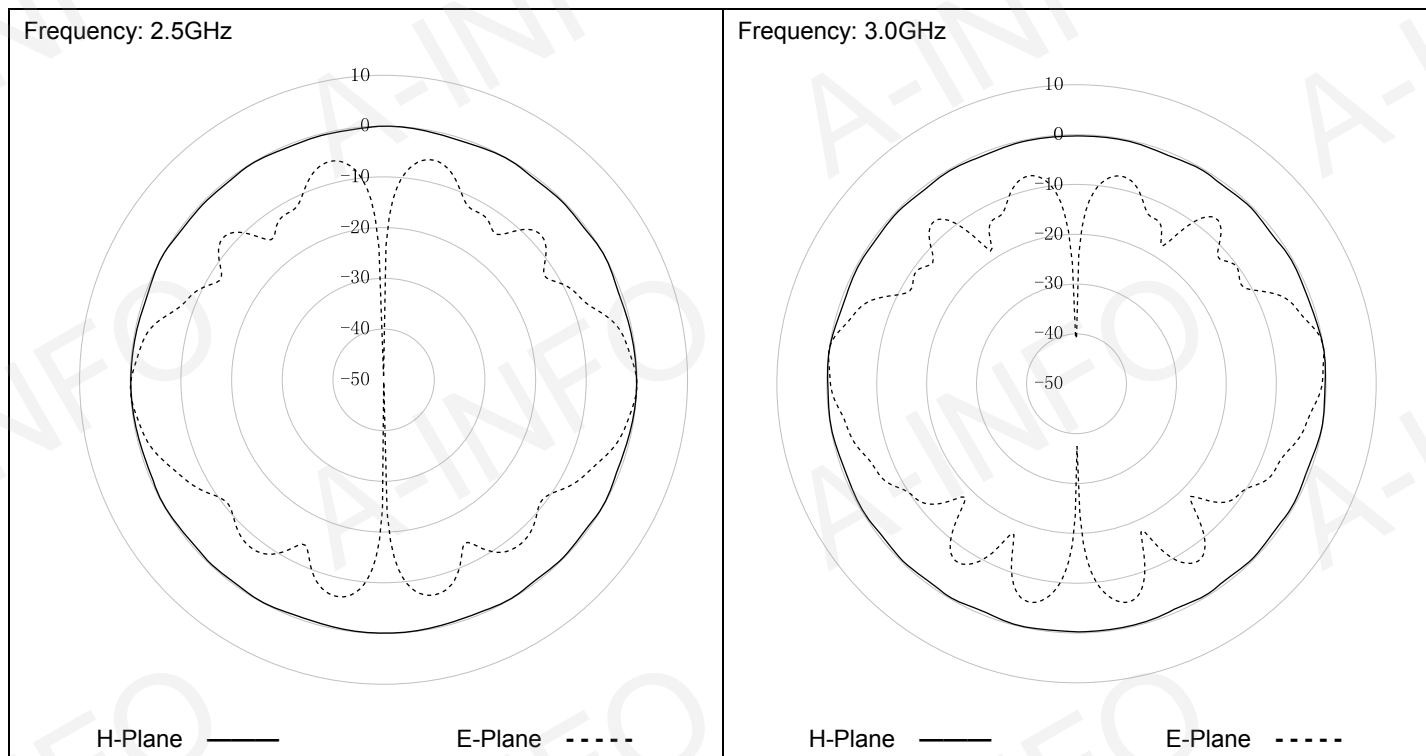
E-Plane - - - - -

Frequency: 2.0GHz



H-Plane ———

E-Plane - - - - -



About Installation Manual of SZ-50300/P, pls. refer to the installation manual of SZ-20300.