

## Technical Specification



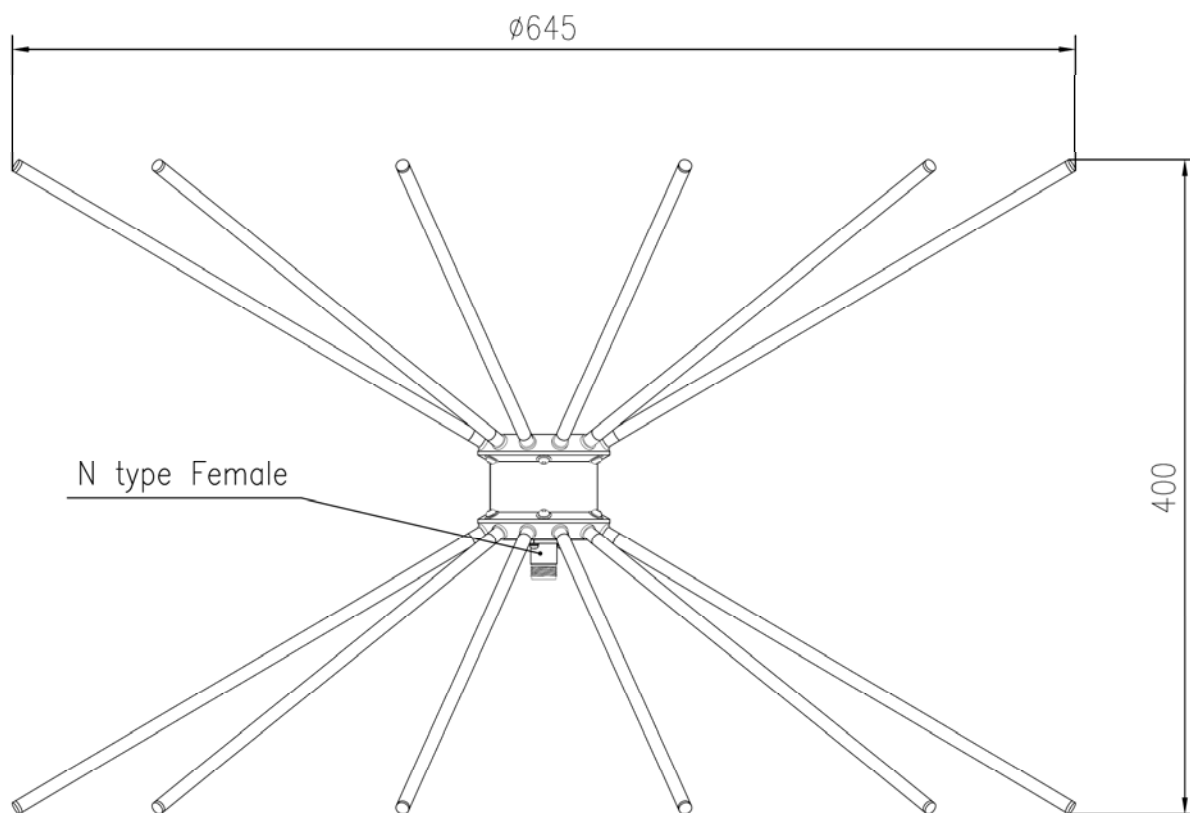
Feed Source

Finished Picture  
(Including Mounting Kit)

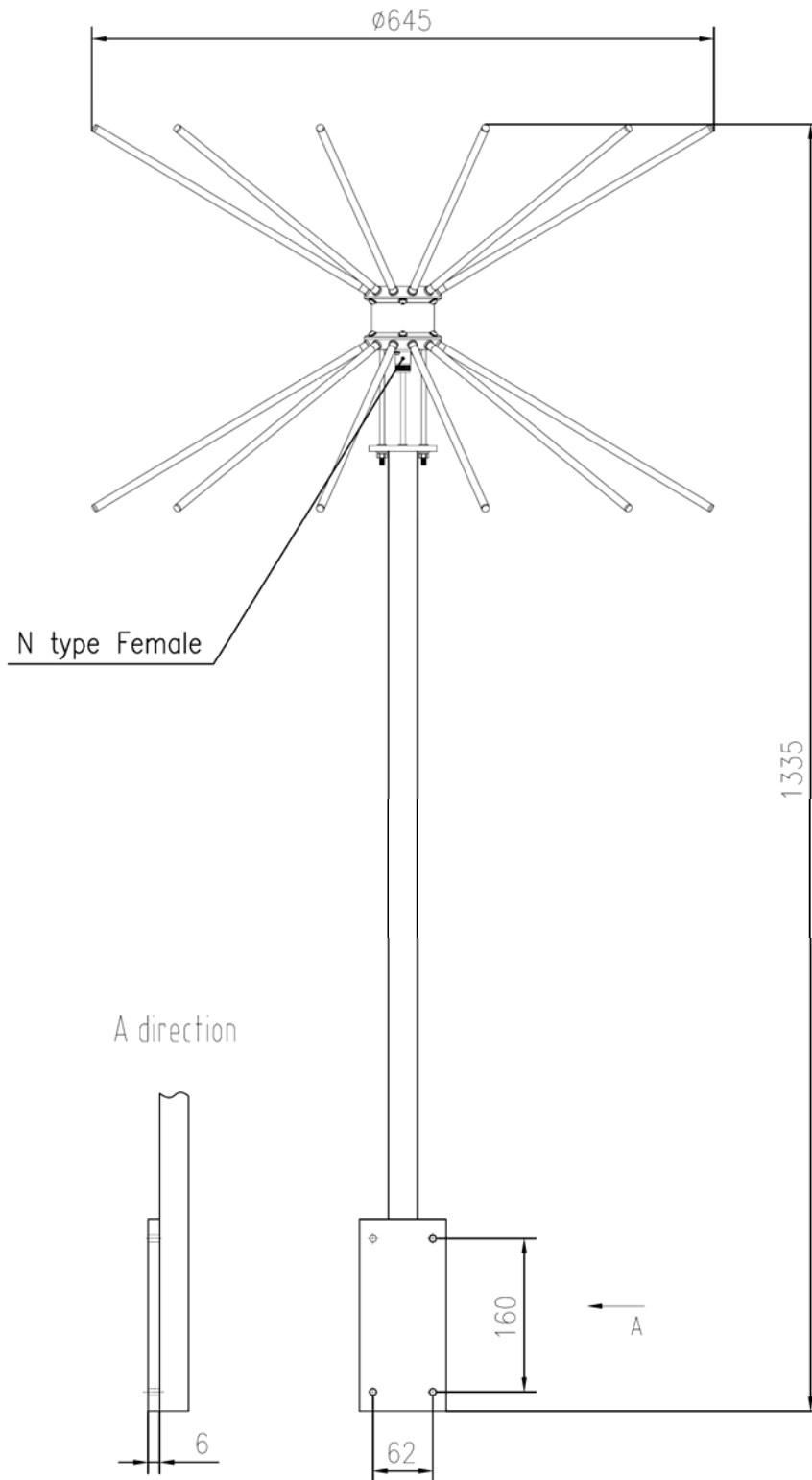
Frequency Range(GHz)	0.2-3.0
VSWR	3:1 Max
Gain(dB)	4 Typ.
Connector	N -Female
Net Weight(Kg)	2.0 Around (Not Including Mounting Kit)
	3.5 Around (Including Mounting Kit)
Size(mm)	(Φ)645 x (H)400 approx. (Not Including Mounting Kit)
	(H)1355 approx. (Including Mounting Kit)

## Outline Drawing (Size: mm)

Not Including Mounting Bracket

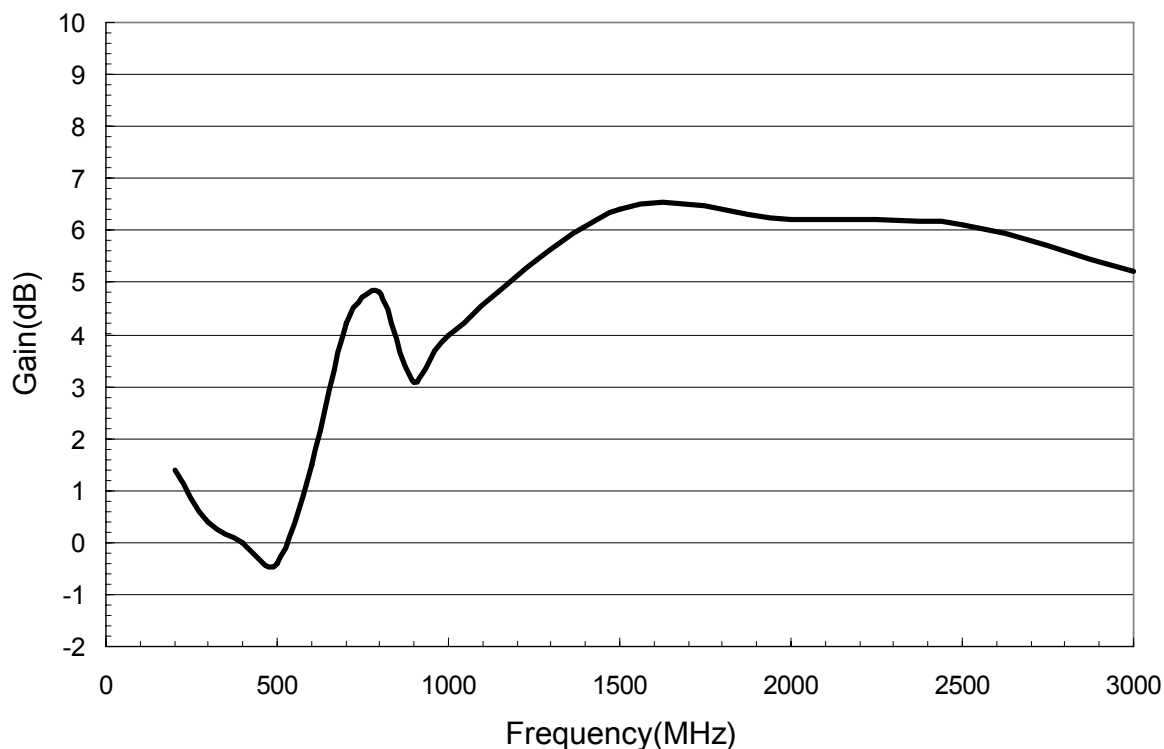


Including Mounting Kit

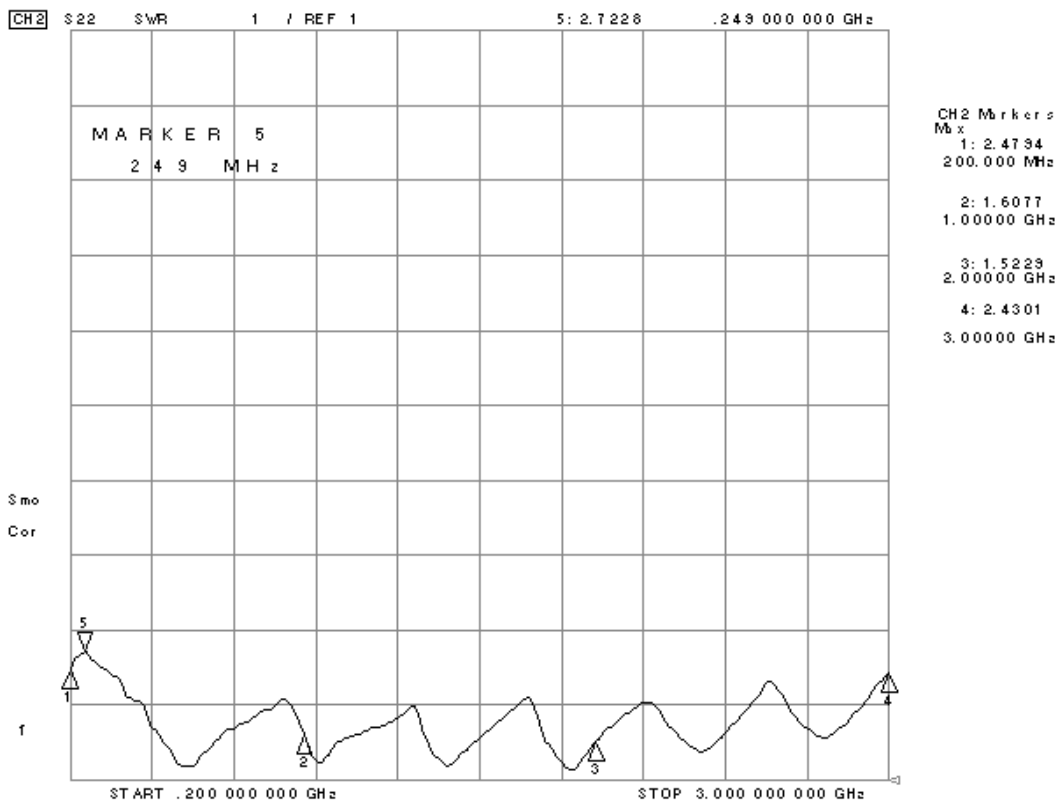


## Test Results

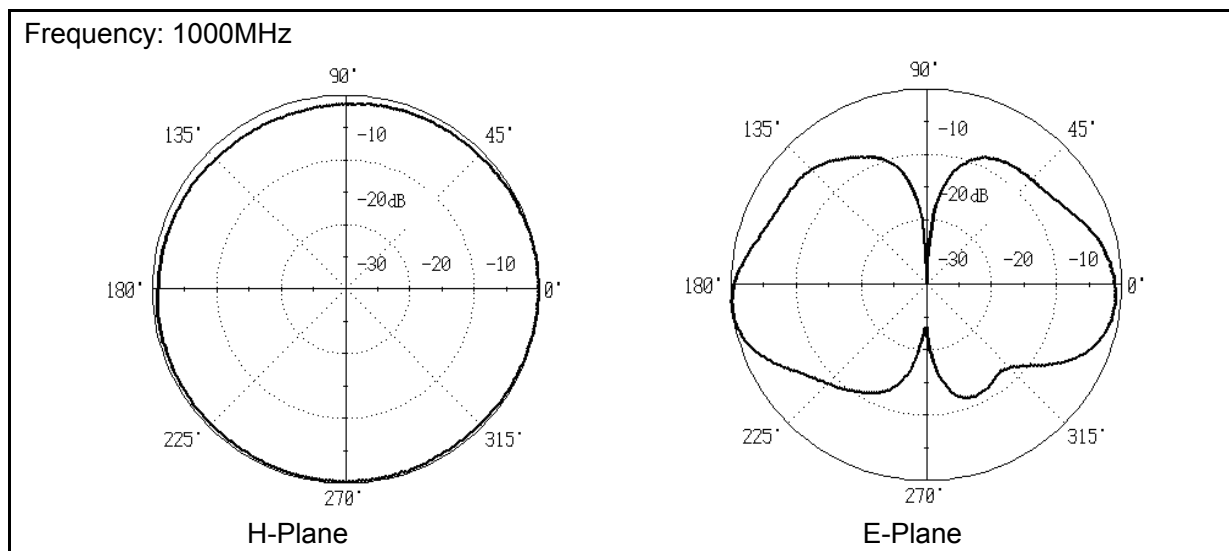
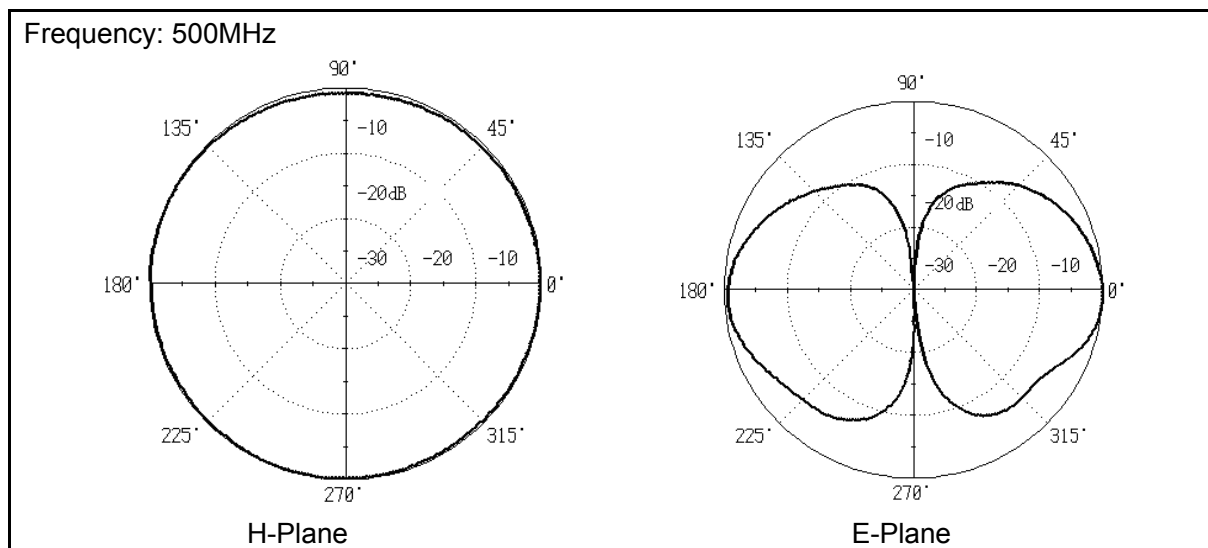
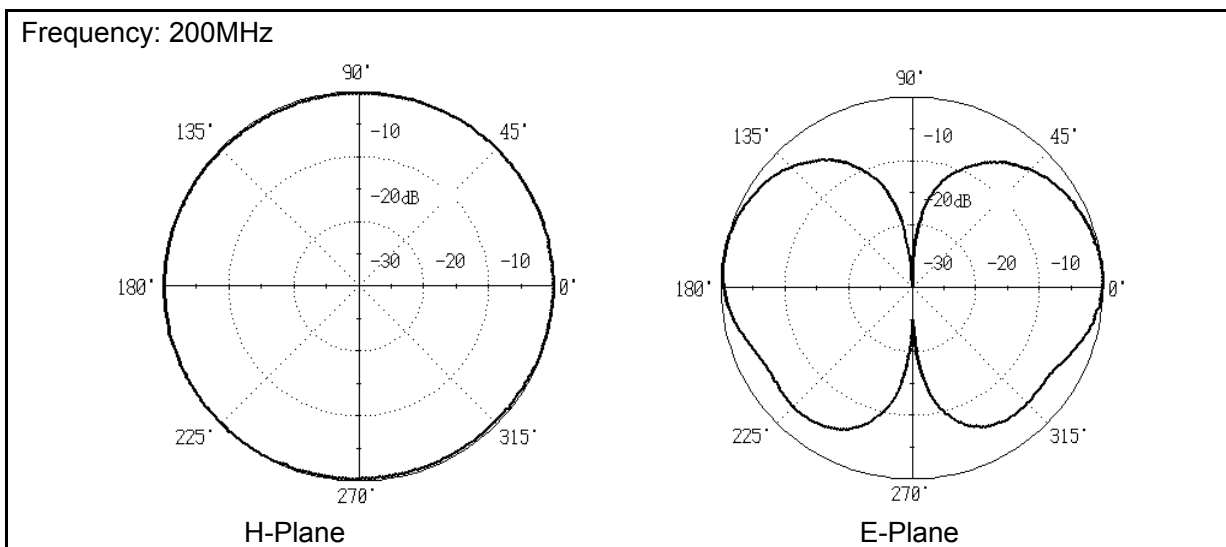
### 1. Gain

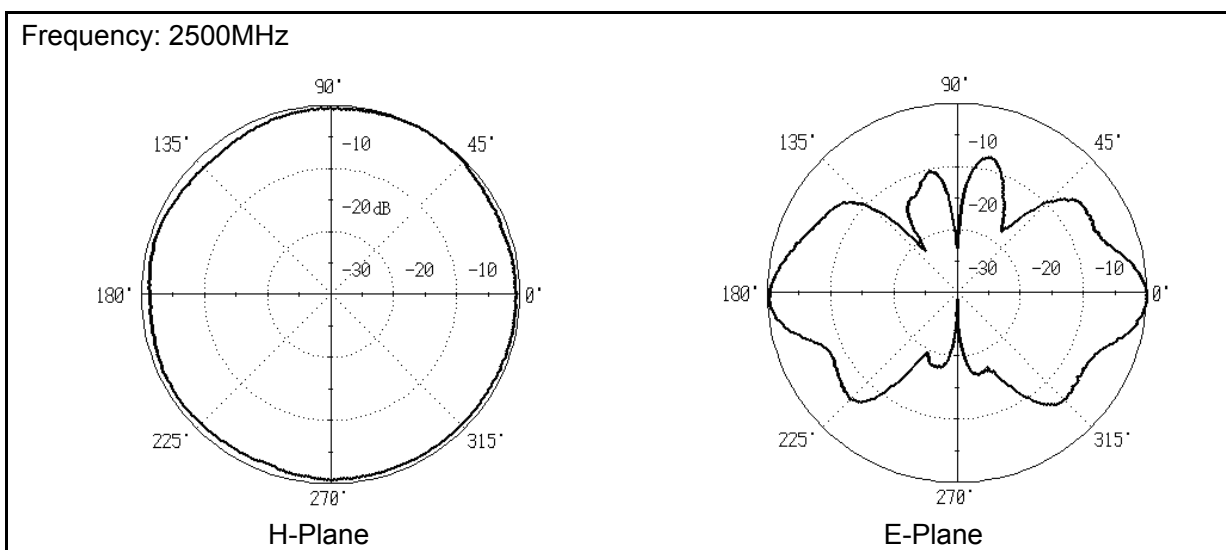
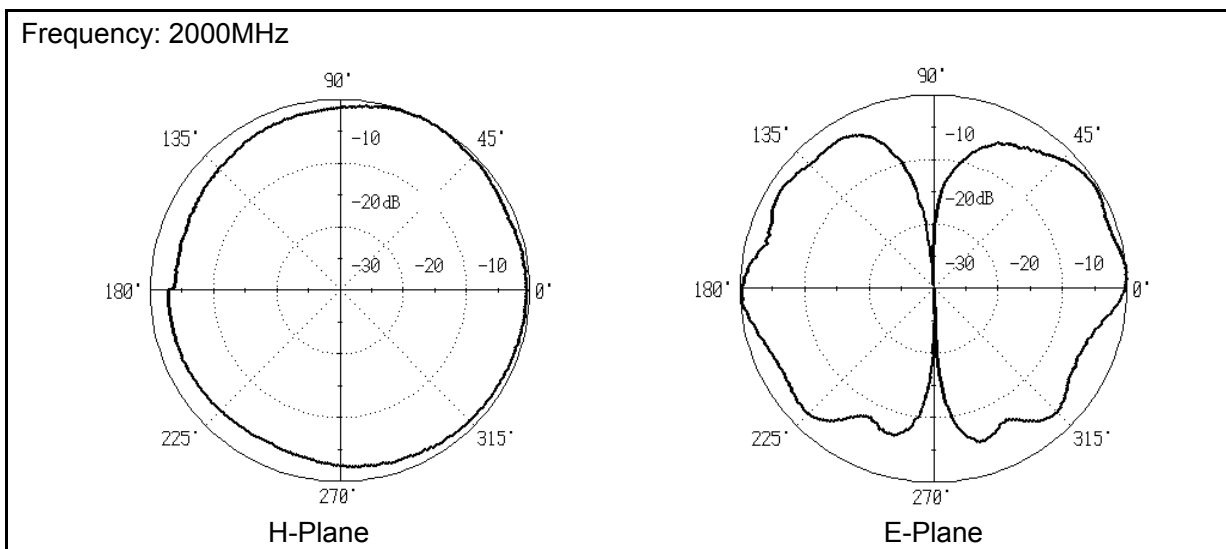
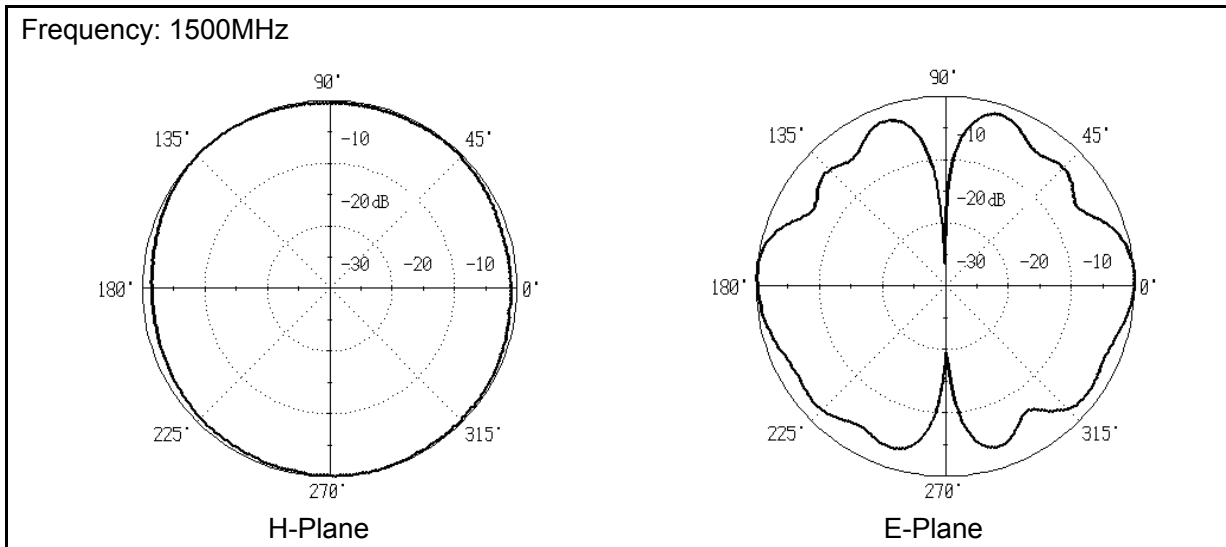


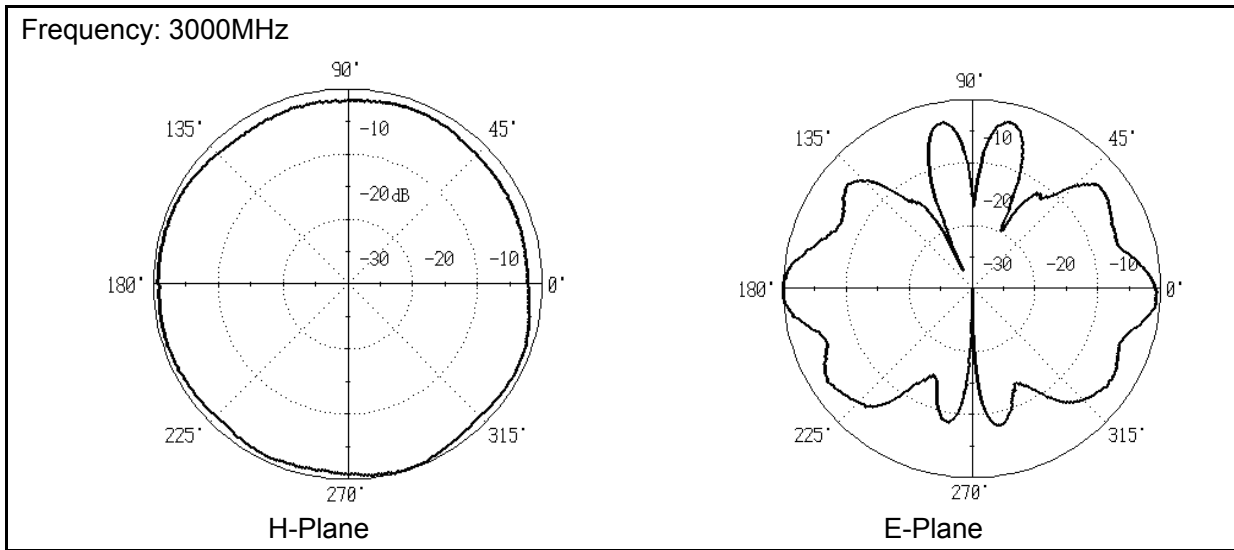
### 2. VSWR



## 3. Pattern





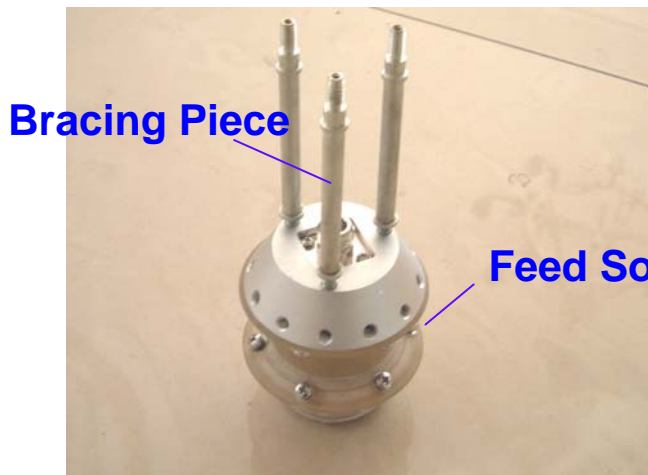


**0.2 - 3.0GHz Bi-Conical Antenna**  
**JXTXSZ-20300**  
**Installation Manual**

## A. Parts of the antenna

1. **Feed Source Part (Feed Source and Bracing Piece), Cone Pole.** See the following Picture

Cone Pole : L=35.5cm



2. **Antenna Mounting Kit (with clamp).** See the following picture:

Antenna Mounting Kit: L=100cm

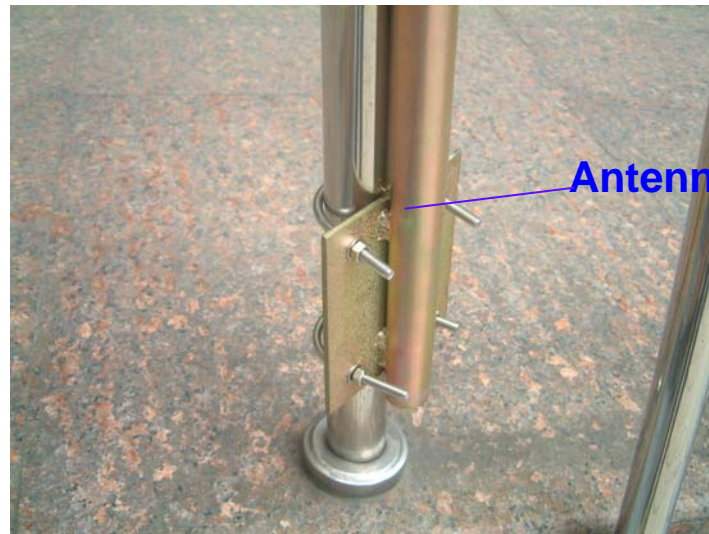


Antenna Mounting Kit

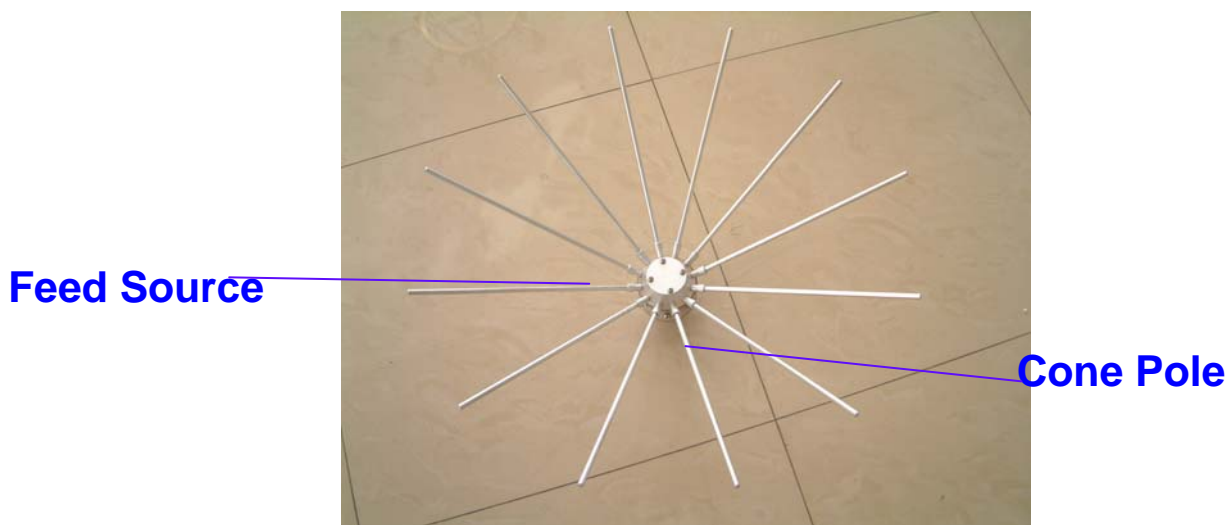
Clamp

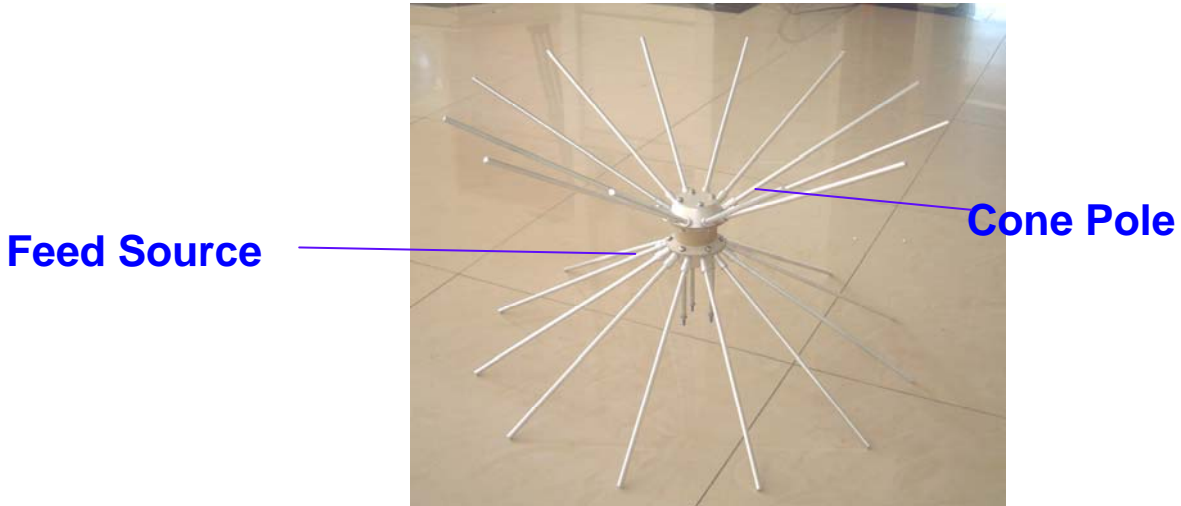
## B. Mounting Method

1. Fixing the **Antenna Mounting Kit (with clamp)** on the place where you would like to install the antenna. See the following picture.



2. Fixing the **Cone Pole** to the **Feed Source** (Notes: For better fix, you must keep the **Upper Cone Pole** to be 30 degree with the level. **If you feel hard to fix, you can adjust the angle, pls. do not fix forcibly.** ). Please see the following picture.





### C. Finishing Picture

