



Test report is for reference only.

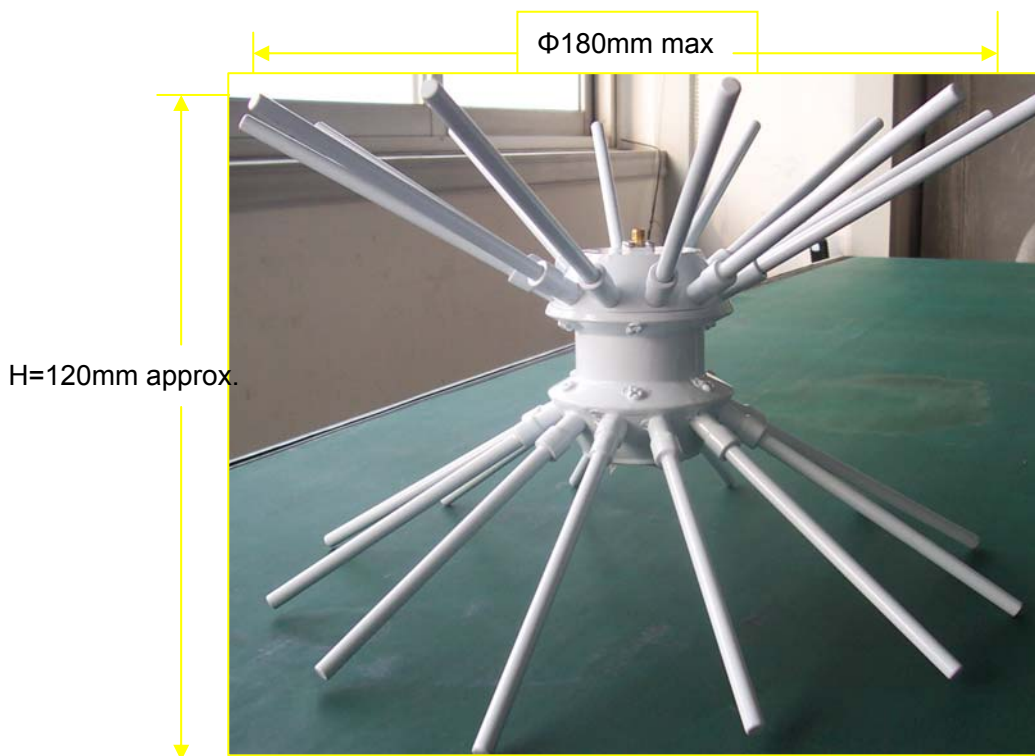
TEST REPORT
For
SZ-100300/P



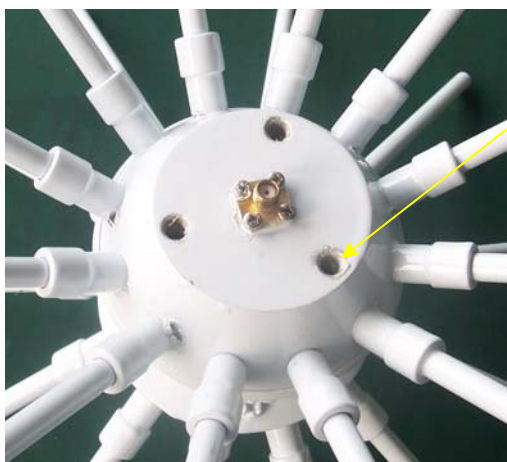
Technical Specification

| | |
|------------------------|---------------------------|
| Polarization | Vertical |
| Frequency Range | 1.0-3.0GHz |
| Gain | 0dB Typ. |
| Pattern | Azimuth: Omni Directional |
| | Elevation: 30° min |
| VSWR | 2.0:1 Typ. |
| Power | 100W CW |
| Connector | SMA-Female/N-Female |
| Size(mm)(ΦxH) | 180x120 approx. |

Outline Drawing



Mounting Drawing

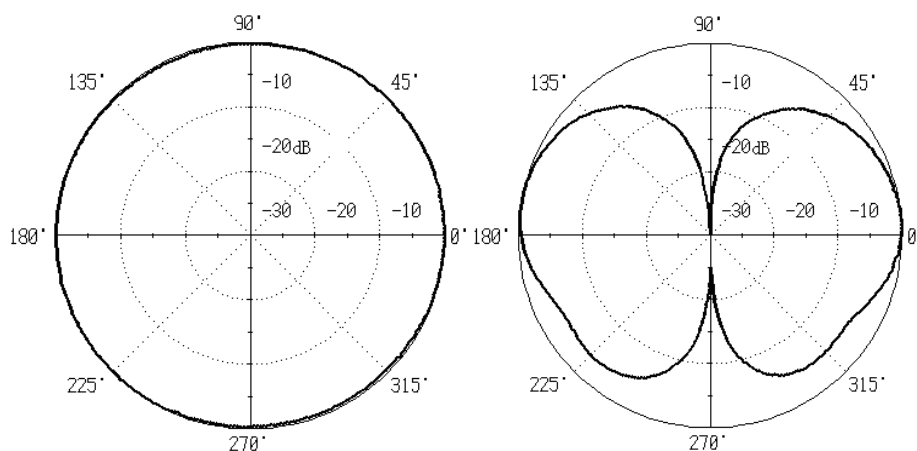


3-M6 deep 16
Evenly distributed in the $\Phi 44\text{mm}$ round

Test Result

1. Pattern

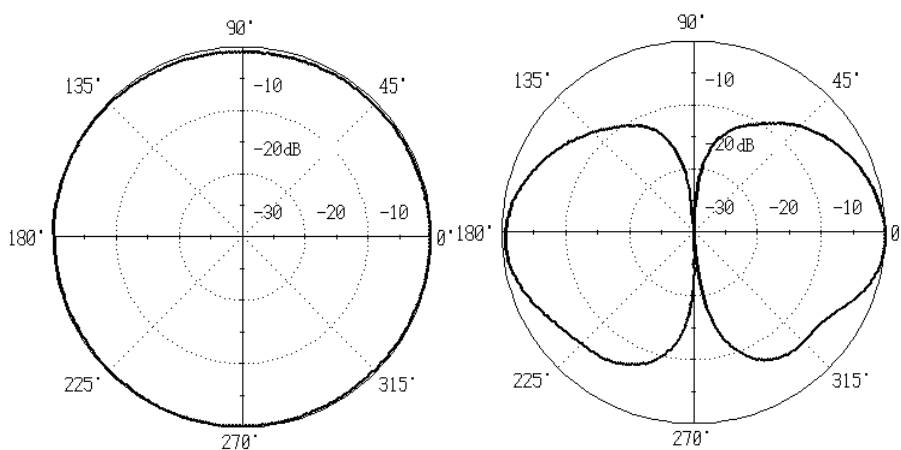
Frequency: 1000MHz



H-Plane

E-Plane

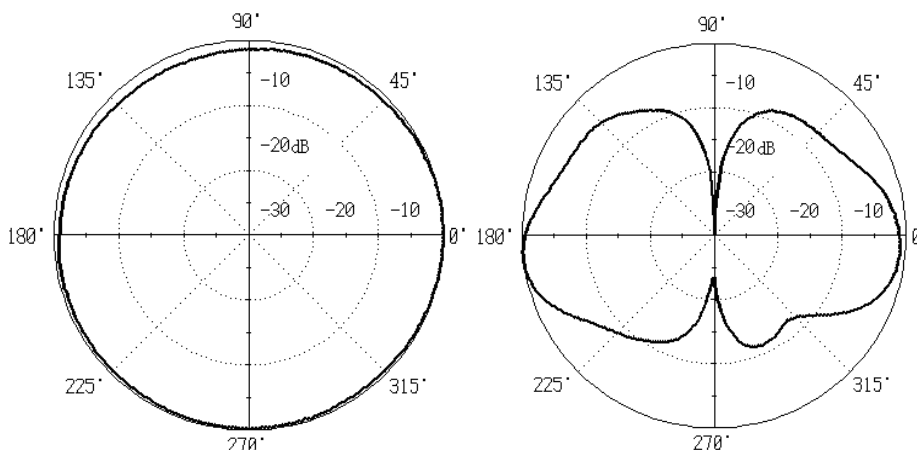
Frequency: 1200MHz



H-Plane

E-Plane

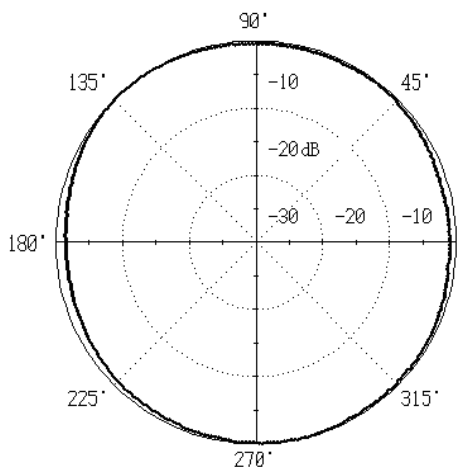
Frequency: 1500MHz



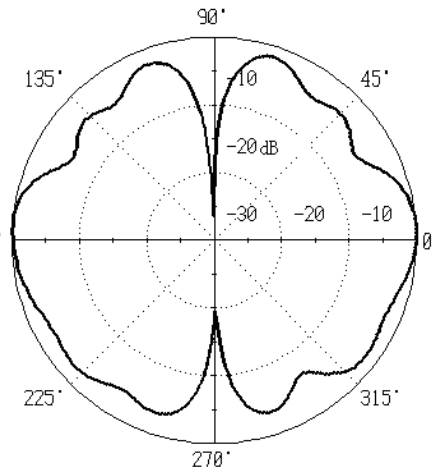
H-Plane

E-Plane

Frequency: 2000MHz

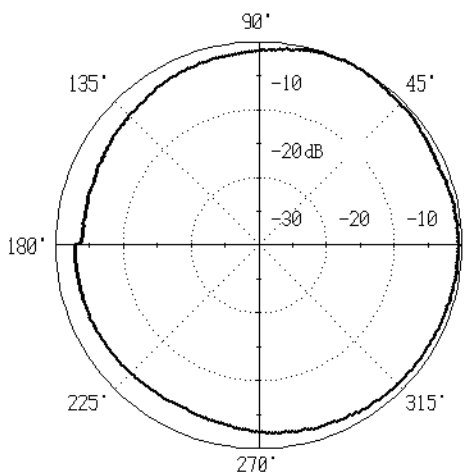


H-Plane

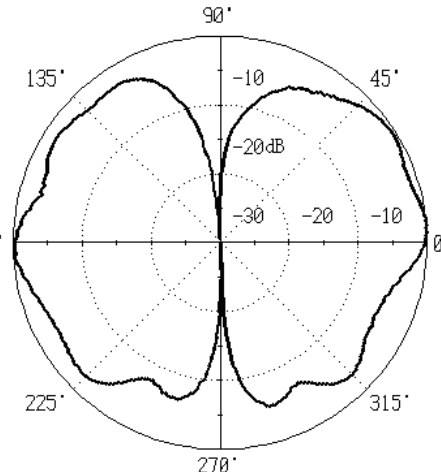


E-Plane

Frequency: 2500MHz

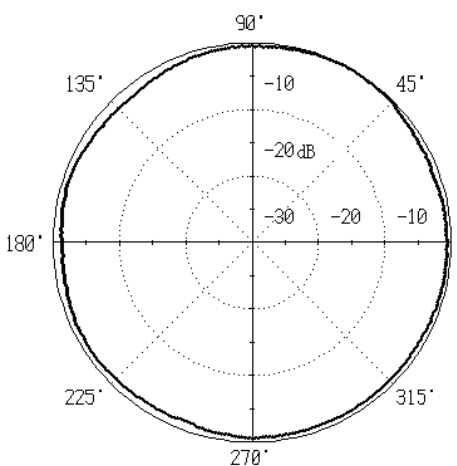


H-Plane

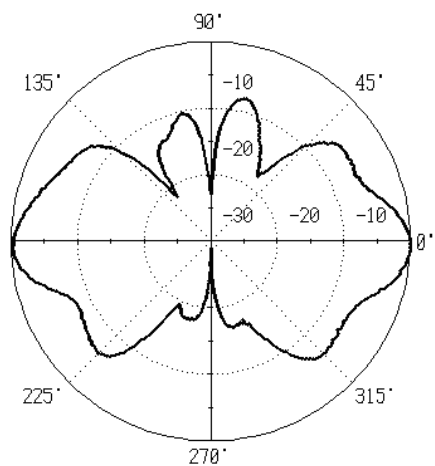


E-Plane

Frequency: 2800MHz



H-Plane



E-Plane

Frequency: 3000MHz

