



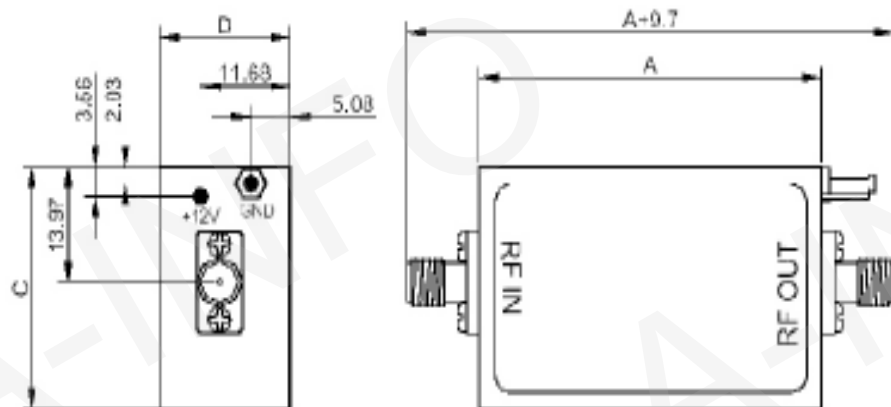
Test report is for reference only.

TEST REPORT
For
LA8012N3510A

Technical Specification

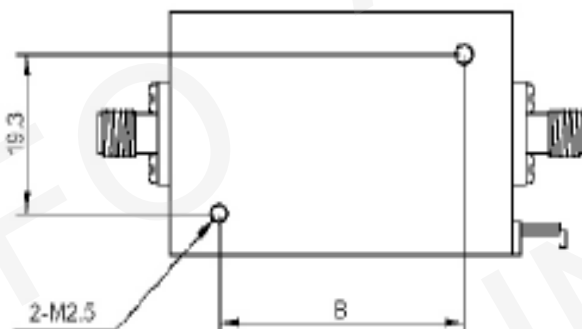
Frequency Range(GHz)	8-12
Gain(dB)	32 min, 38 max
Flatness(dB)	+/-1.4 max
Noise Figure(dB)	3.5 max
VSWR	2:1 max
Pout@1dB (dBm)	10 min
IP3(dBm)	20 Typ.
Current +12V(mA)	300 Typ.
Connector	SMA-Female
Size(mm)	57.4 x 44.7 x 29.46 Around
Net Weight(Kg)	0.07 Around

Outline Drawing (Size: mm)



MODEL	A	B	C	D
* S1	31.8	19	25.4	13.8
21	32.0	21.8	29.46	17.02
41	44.7	32.0	29.46	17.02
61	57.4	44.7	29.46	17.02
81	70.1	57.4	29.46	17.02

* INSTALLATION BORES OF S1 ARE 4-M2.5



Test Condition

Input Power: -35dBm

Power Supply: +12V/430mA

Test Results

Flatness: 0.94dB

Noise Figure: 2.2dB max

