



Test report is for reference only.

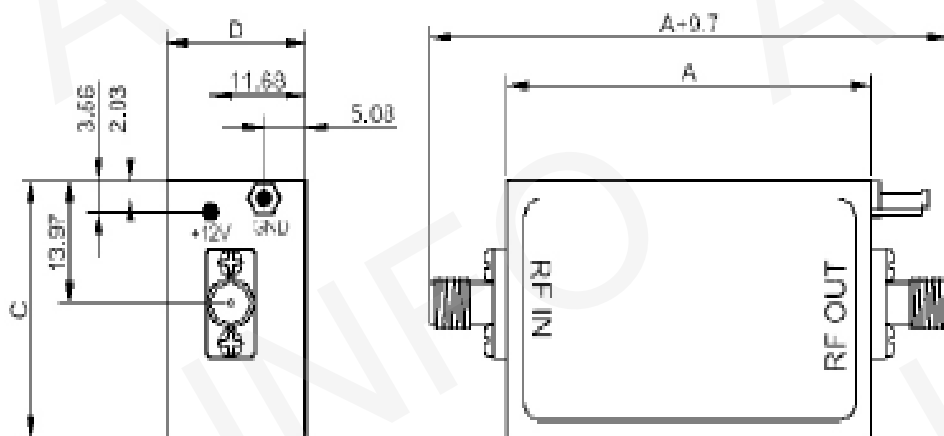
**TEST REPORT**  
**For**  
**LA2080N4210**



## Technical Specification

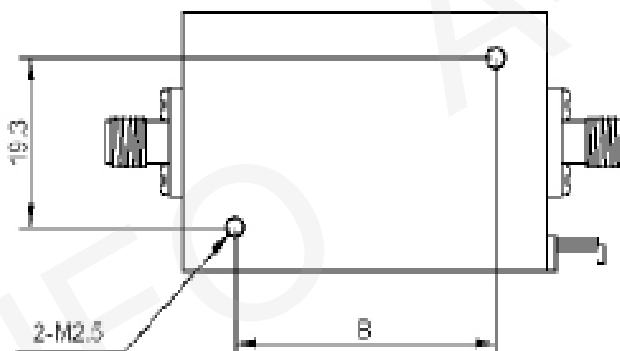
Frequency Range(GHz)	2-8
Gain(dB)	38 min, 46 max
Flatness(dB)	+/-2.0 max
Noise Figure(dB)	3.5 max
VSWR(in/out)	2.0 max
Pout@1dB(dBm)	10 min
IP3(dBm)	20 typ.
Curren+12V(mA)	300 typ.
Connector	SMA-Female
Net Weight(Kg)	0.07 Around

## Outline Drawing (Size: mm)



MODEL	A	B	C	D
* S1	31.8	19	25.4	13.8
21	32.0	21.8	29.46	17.02
41	44.7	32.0	29.46	17.02
61	57.4	44.7	29.46	17.02
81	70.1	57.4	29.46	17.02

\* INSTALLATION BORES OF S1 ARE 4-M2.5



### Test Condition

1. The power supply: +12V
2. Input Power: -40dBm

### Test results

**Current: 220mA, Noise Figure: 3.0 max**

