



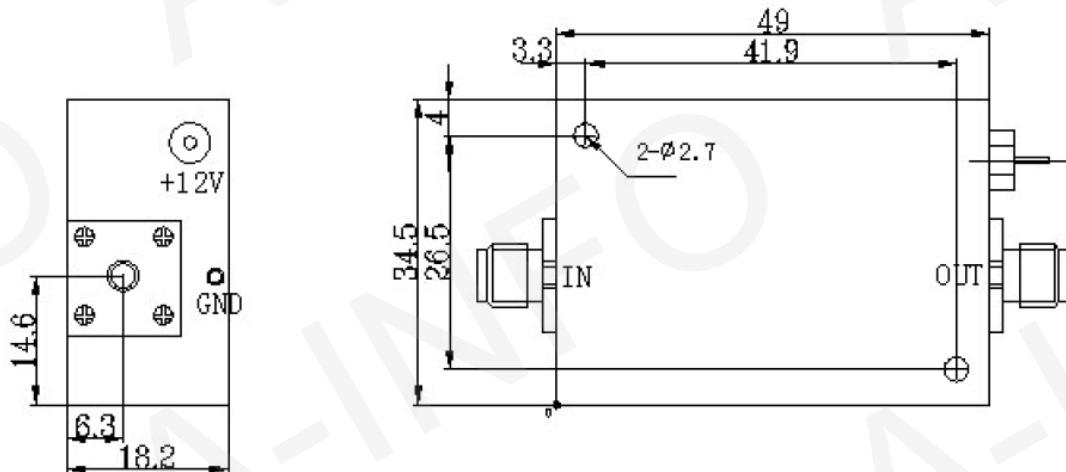
Test report is for reference only.

TEST REPORT
For
JXWBPA-T-15500-16500-10-31

Technical Specification

Freq. Range(GHz)	15.5-16.5
Gain (dB)	10 min,15 max
Pout@1dB(dBm)	31
Flatness(dB)	+/-1 max
IP3(dBm)	35 min
VSWR	2.0:1 (IN).
Power Supply(V/ mA)	+12/1500
Connectors	SMA-Female
Net Weight(Kg)	0.075 Around

Outline Drawing (Size: mm)



Test Result

Frequency(GHz)	15.5	15.8	16.0	16.3	16.5
Pout@1dB (dBm)	31.3	31.3	31.0	31.0	31.0
IP3(dBm)	35 min				
VSWR(IN)	2.05				
Gain(dB)	12.02				