



Test report is for reference only.

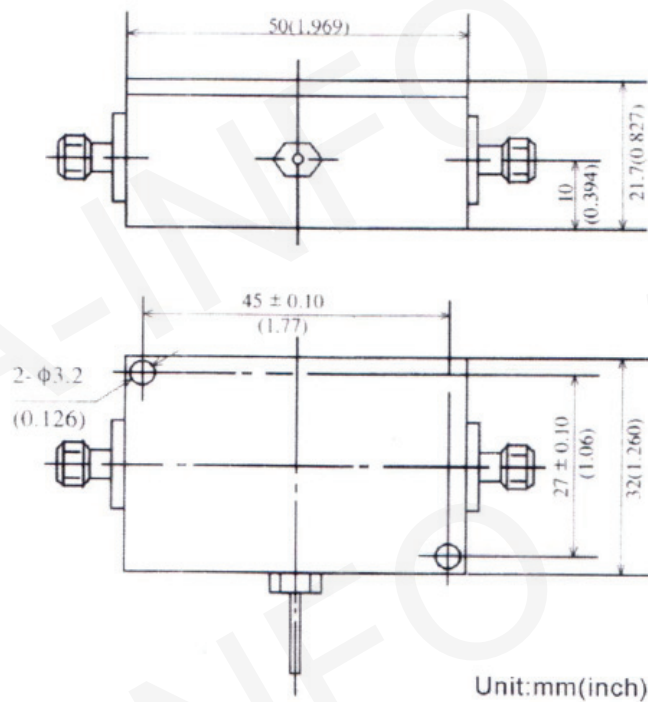
TEST REPORT
for
JXWBLA-T-880-960-15



Technical Specification

Frequency Range(MHz)	880~960
Gain(dB)	15 min
Noise Figure(dB)	1.2 max
Pout @1dB(dBm)	3~5
IP3(dBm)	30
VSWR Input/Output	1.8:1/ 1.8:1
Power Supply(V)	+12
Connectors	N-Female
Size(mm)	50x32x22
Net Weight(Kg)	0.11 Around

Outline Drawing



Test Results

Trc1 S11 SWR 1 U / Ref 3 U Cal
 Trc2 S22 SWR 1 U / Ref 3 U Cal
 Trc3 S21 dB Mag 5 dB / Ref 15 dB Cal

1

