



Test report is for reference only.

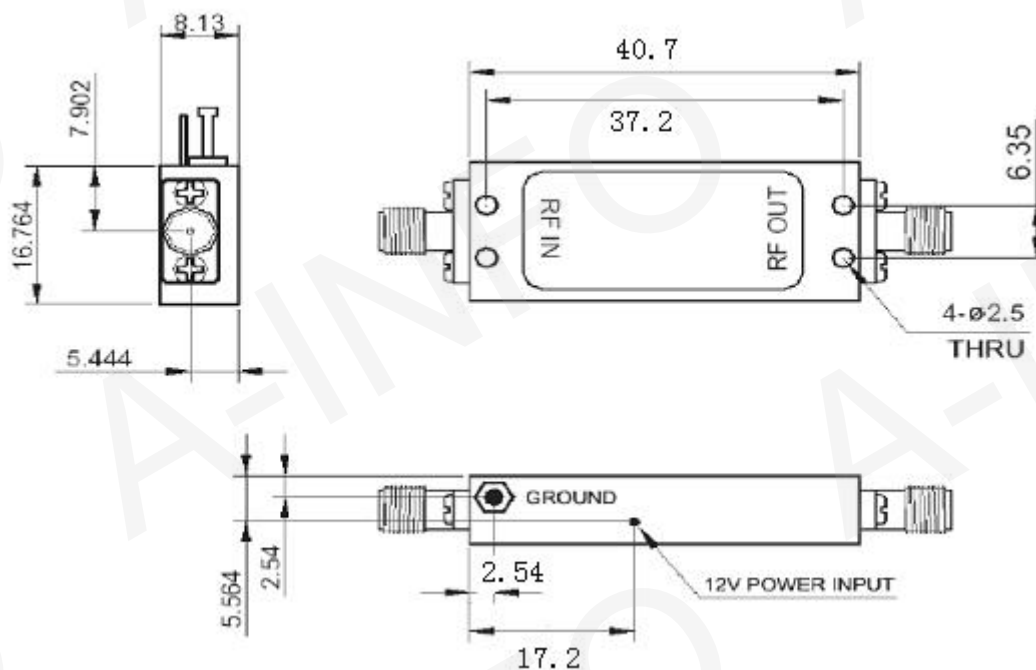
**TEST REPORT**  
**For**  
**JXWBLA-T-7250-9000-30**



## Technical Specification

Frequency Range(GHz)	7.25-9.00
Gain(dB)	30 min
Flatness(dB)	±1
Noise Figure(dB)	2.2 max
VSWR(in/out)	2.0 max
Pout@1dB(dBm)	15
Power Supply(V/mA)	+12 DC/300
Connector	SMA-Female
Operating Temperature(°C)	-55 ~ +85
Net Weight(Kg)	0.02 Around

## Outline Drawing (Size: mm)



## Test results

Noise Figure: 2.0dB max

