



Test report is for reference only.

**TEST REPORT**

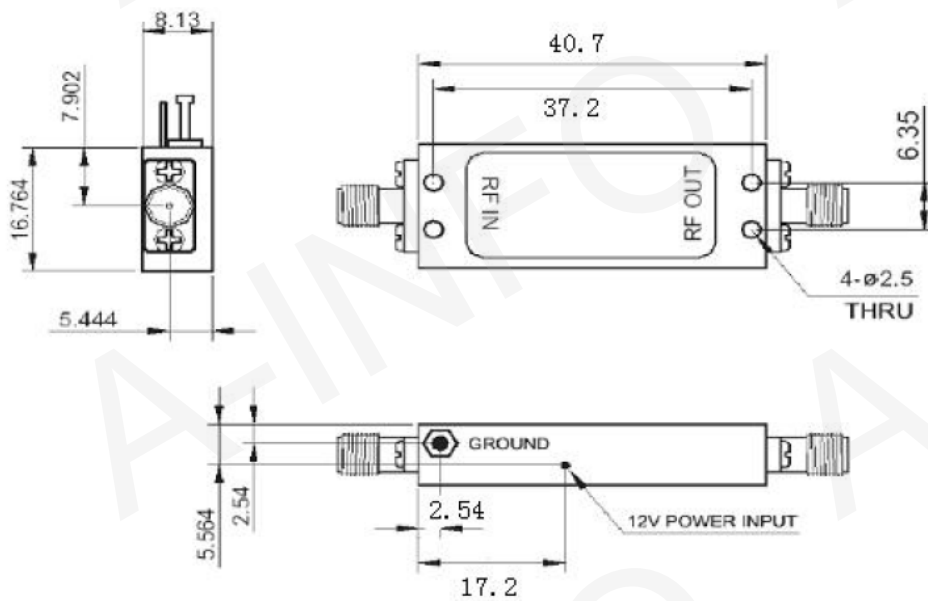
**For**

**JXWBLA-T-6000-18000-20**

## Technical Specification

Freq. Range(GHz)	6-18
Gain(dB)	20 min.
Flatness(dB)	+/-2 max
Noise Figure(dB)	2.5 max
Pout @1dB(dBm)	10
IP3(dBm)	10
Power Supply(V/mA)	+12,200 typ
Connector	SMA-Female
Operating Temp.(°C)	-55 ~ +85
Net Weight(Kg)	0.02 Around

## Outline Drawing (Size: mm)



## Test Result

Gain(dB)	Flatness(dB)
21.86	+/-0.81