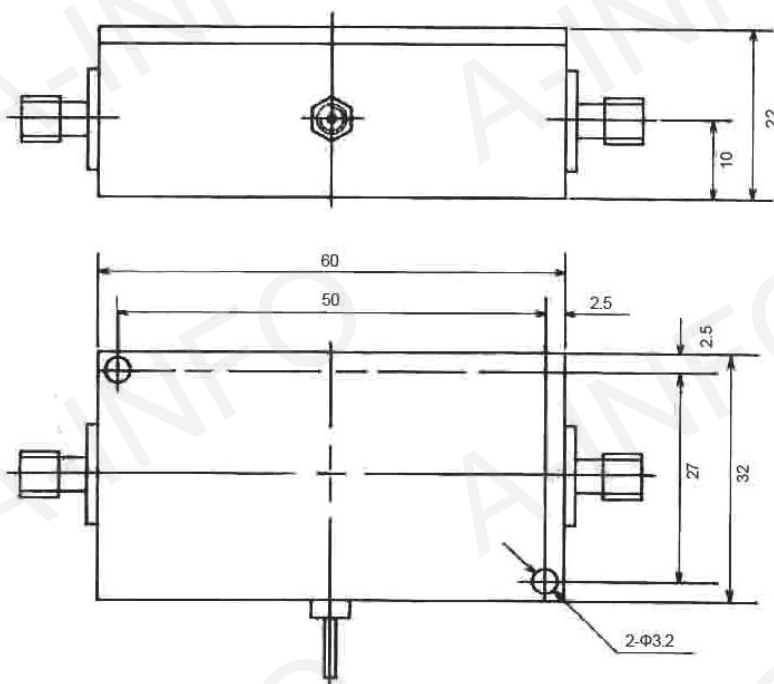


Outline Drawing (Size: mm)



Test Result Table

Item	Technical Specification	Test Results
Frequency Range(GHz)	0.6-2.5	0.6-2.5
Gain(dB)	28 min	30.2 min
Flatness(dB)	±1.5 max	±0.5 max
VSWR	1.8 max	1.63 max
Noise Figure(dB)	1.2 max	1.2 max
Pout@1dB(dBm)	+16	+16
Power Supply(V/mA)	+12/120 max	+12/120 max
Connectors	SMA-Female	SMA-Female
Operating Temperature(°C)	-40 ~ +80	-40 ~ +80