



Test report is for reference only.

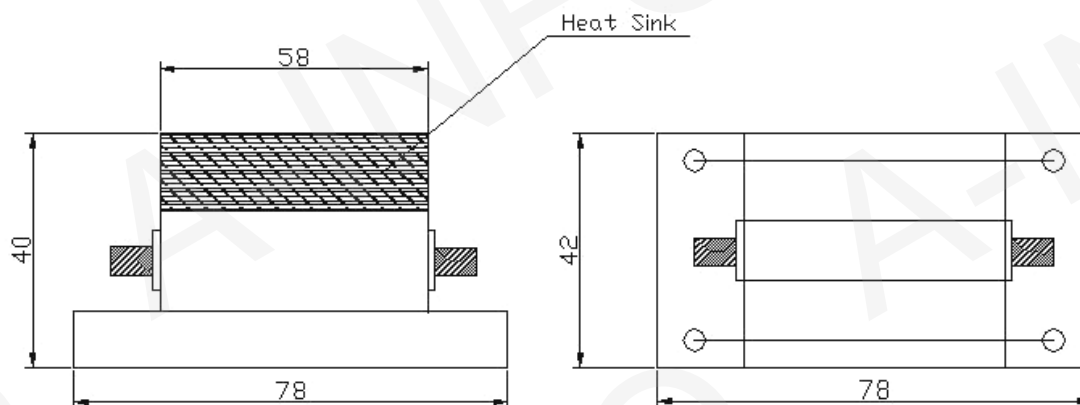
**TEST REPORT**  
**For**  
**JXWBLA-T-52-88-28**



## Technical Specification

<b>Frequency Range(MHz)</b>	52-88
<b>Gain(dB)</b>	28 Typ.
<b>Gain Flatness(dB)</b>	±1 max
<b>Pout@1dB(dBm)</b>	+30
<b>Noise Figure(dB)</b>	5 Typ.
<b>IP3(dBm)</b>	42 max
<b>VSWR</b>	2.0:1 max
<b>Power Voltage(V)</b>	+15 DC
<b>Current(mA)</b>	700 Typ.
<b>Impedance(Ohms)</b>	50
<b>Connector</b>	BNC-Female
<b>Environmental Specification</b>	Heat Sink
<b>Operating Temperature(°C)</b>	-40 ~ +70
<b>Net Weight(Kg)</b>	0.215 Around

## Outline Drawing (Size: mm)



Test Results

