



Test report is for reference only.

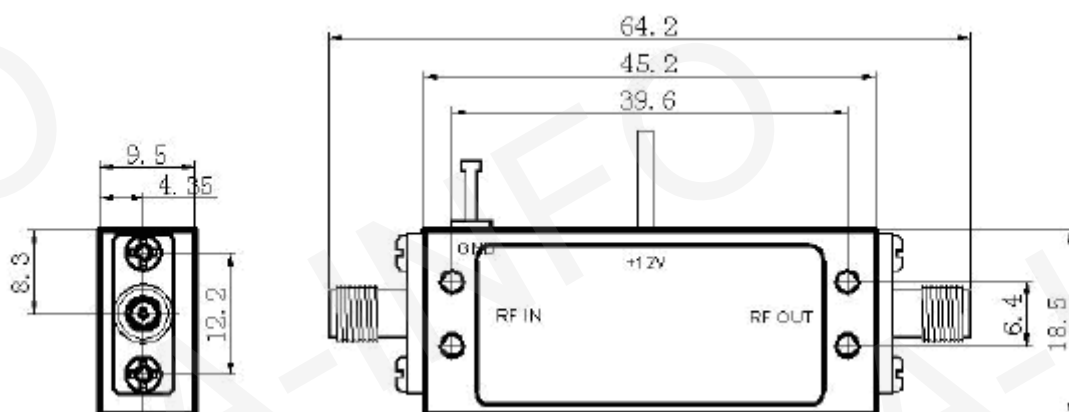
TEST REPORT
For
JXWBLA-T-2-8-45



Technical Specification

Frequency Range(GHz)	2-8
Gain(dB)	45 Typ.
Gain Flatness(dB)	±2 max
Noise Figure(dB)	2.5 max
VSWR	2.0 max
Pout@1dB(dBm)	10
DC Supply(V)	+12
Connector	SMA-Female
Operating Temperature(°C)	-10 ~ +50
Finish	Nickel Plated
Net Weight(Kg)	0.03 Around

Outline Drawing (Size: mm)



Test Results

