



Test report is for reference only.

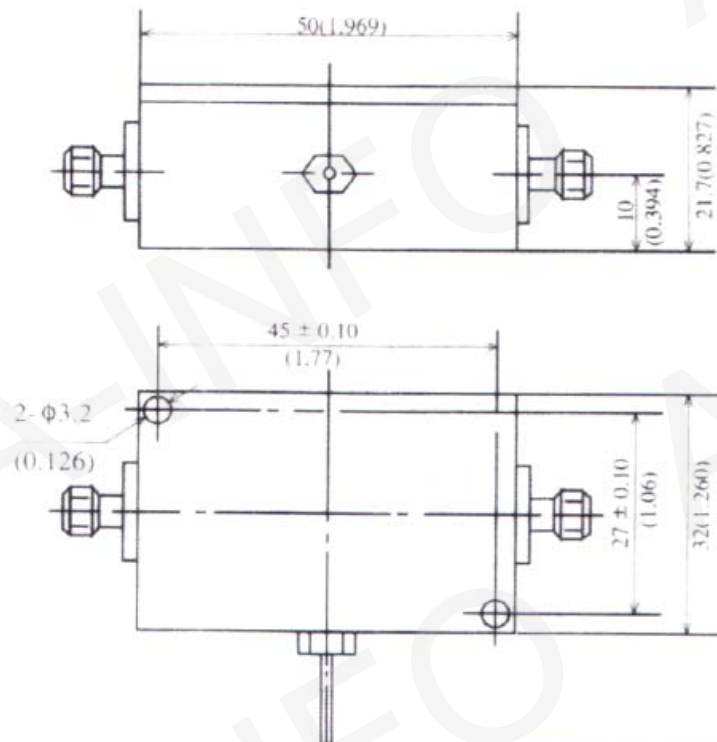
TEST REPORT
for
JXWBLA-T-1700-2200-15



Technical Specification

Frequency Range(MHz)	1700~2200
Gain(dB)	15 min
Noise Figure(dB)	1.2 max
Pout @1 dB(dBm)	3~5
IP3(dBm)	30
VSWR Input /Output	1.8:1 / 1.8:1
Power Supply(V)	+12
Connector	N-Female
Size(mm)	50x32x32
Net Weight(Kg)	0.11 Around

Outline Drawing (Size: mm)



Test Results

Trc1 **S11** SWR 1 U / Ref 1 U Cal
 Trc2 **S22** SWR 1 U / Ref 1 U Cal
 Trc3 **S21** dB Mag 10 dB / Ref 16.5 dB Cal

1

