



Test report is for reference only.

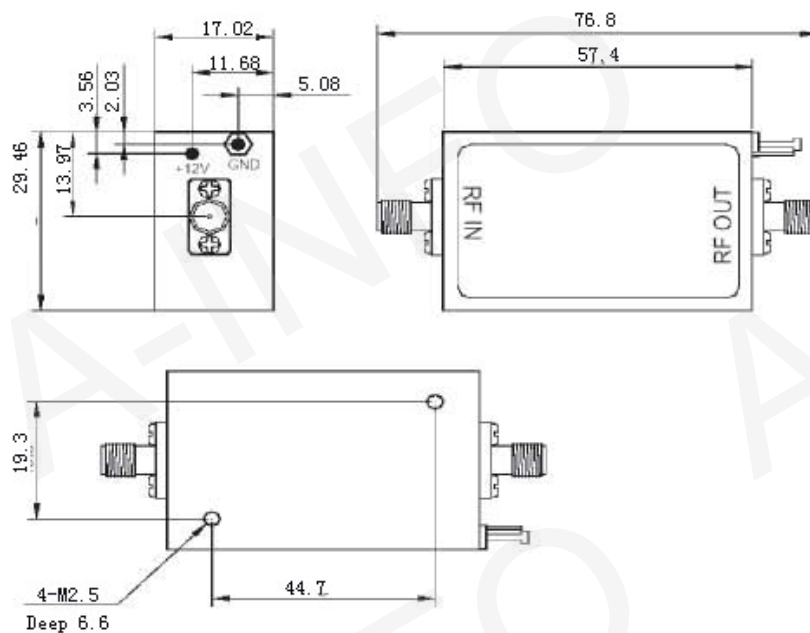
TEST REPORT
For
JXWBLA-T-1000-18000-38



Technical Specification

Frequency Range (GHz)	1-18
Gain(dB)	38
Flatness(dB)	±2.5 max
Pout@1dB(dBm)	10
Noise Figure(dB)	4 max
Input VSWR	2.2 max
Output VSWR	2.2 max
Connector	SMA-Female
Operating Temperature(°C)	-45 ~ +70
Storage Temperature(°C)	-55 ~ +80
Net Weight(Kg)	0.075 Around

Outline Drawing (Size: mm)



Test Result

Gain(dB)	Flatness(dB)	Input VSWR	Output VSWR
44.5~39.8	±2.3	2.2	2.2