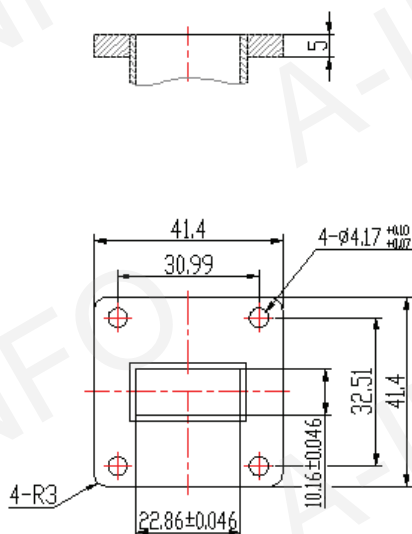


Flange Drawing (Size: mm)



FBP100

Test Results Table

Item	Technical Specification	Test Results
Frequency Range(GHz)	9.35-9.85	9.35-9.85
Insertion Loss(dB)	0.3 max	0.25 max
Isolation(dB)	22 min	23.1 min
VSWR	1.20 max	1.10 max
Average Power(W)	10	10
Waveguide	WR90	WR90
Flange	FBP100	FBP100