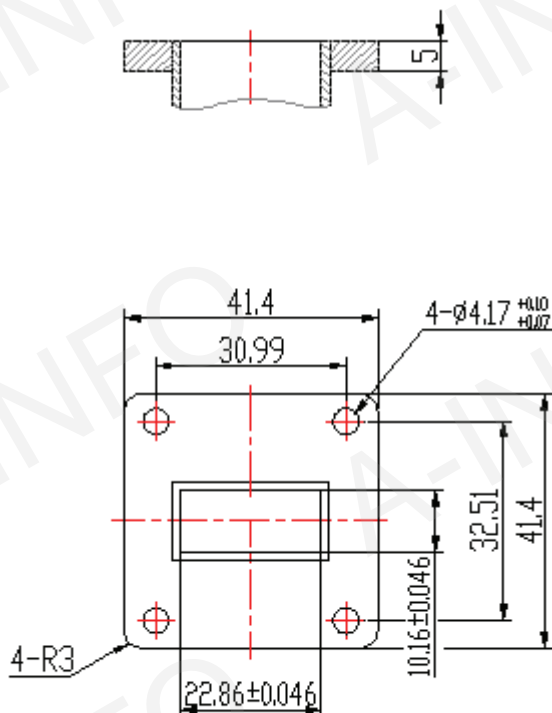


Flange Drawing (Size: mm)



FBP100

Test Result Table

Item	Technical Specification	Test Results
Frequency(GHz)	8.325-9.675	8.325-9.675
Coupling(dB)	20 Typ.	19.1-21.0
Mainline VSWR	1.15 Typ.	1.06 max
Secondline VSWR	1.25 Typ.	1.12 max
Directivity(dB)	18 min	27 min
Waveguide	WR90	WR90
Flange	FBP100	FBP100
Material	Al	Al